

SAVILVA

OUTDOOR COLLECTION
2026



Collection '26
SAVILVA

*C*ONTENTS

_____	SEATING SETS
_____	CHAIR
_____	BAR CHAIR
_____	TABLE BASE
_____	TABLE TOP

ABOUT US

Founded in the Netherlands in 1997, SAVILVA began its journey as a family-owned business specializing in the production of sofa legs. Built on the core values of quality, design excellence, and sustainable production, the company quickly established itself as a trusted partner within the European furniture industry.

In 2002, SAVILVA relocated its production facilities to Türkiye. Since then, we have expanded our portfolio to include the in-house design and manufacturing of dining tables, chairs, sofas, and complete living collections.

Today, SAVILVA harmonizes its European heritage with master Turkish craftsmanship. Through a robust retail and export network, we continue to serve both domestic and international markets, bringing elegance and durability to modern living spaces.



SEATING SET





GALA GARDEN

Technical Details

Material: Glass fiber-reinforced polypropylene

Set Weight: 43.90 kg

Number of Boxes: 1 Set / 3 Boxes

20 DC Container Capacity: 54 Sets

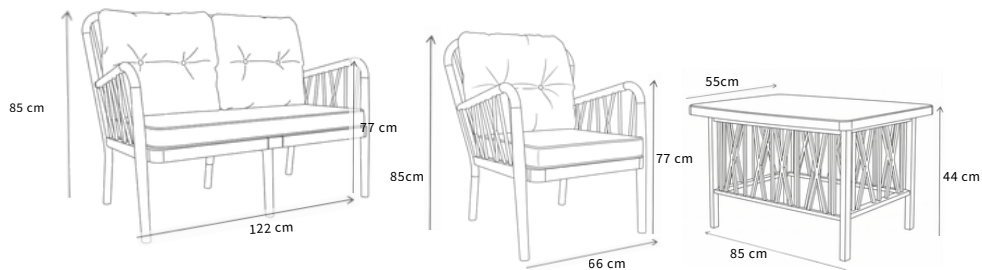
40 HC Container Capacity: 148 Sets

Truck Capacity: 172 Sets

Color Palette



Dimension





LIZBON GARDEN

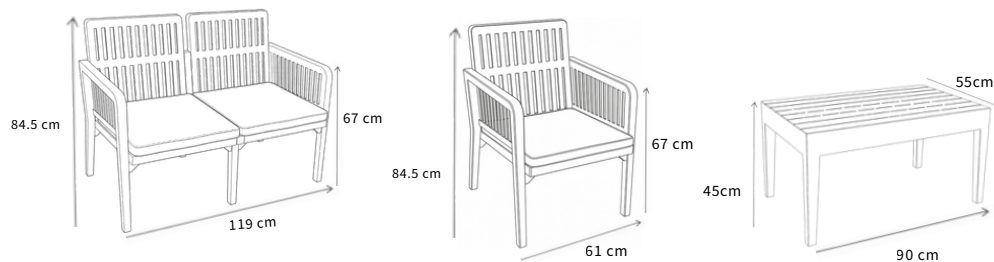
Technical Details

Material: Glass fiber-reinforced polypropylene
 Set Weight: 43.90 kg
 Number of Boxes: 1 Set / 3 Boxes
 20 DC Container Capacity: 54 Sets
 40 HC Container Capacity: 148 Sets
 Truck Capacity: 172 Sets

Color Palette



Dimension





AYAZMA GARDEN

Technical Details

Material: Solid hardwood beech

Set Weight: 73,1 kg

Number of Boxes: 1 Set / 3 Boxes

20 DC Container Capacity: 14 Sets

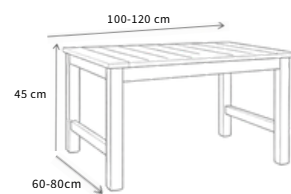
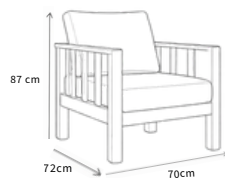
40 HC Container Capacity: 30 Sets

Truck Capacity: 40 Sets

Color Palette



Dimension





LUNA GARDEN

Technical Details

Material: Metal profile with electrostatic powder coating

Set Weight: 71,25 kg

Number of Boxes: 1 Set / 3 Boxes

20 DC Container Capacity: 13 Sets

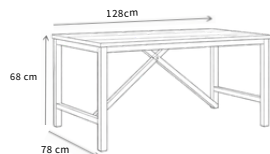
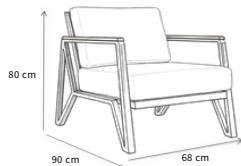
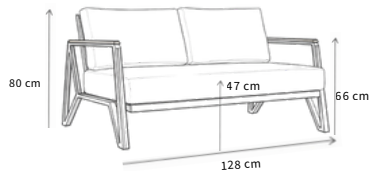
40 HC Container Capacity: 27 Sets

Truck Capacity: 36 Sets

Color Palette



Dimension





TOKYO GARDEN

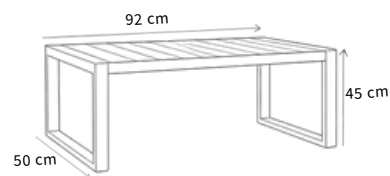
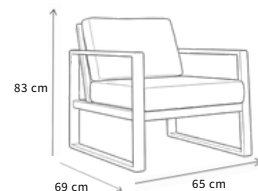
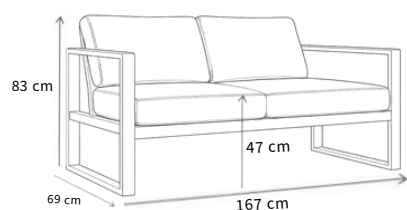
Technical Details

Material: Solid hardwood beech /
Metal Structure
Set Weight: 61,45 kg
Number of Boxes: 1 Set / 3 Boxes
20 DC Container Capacity: 15 Sets
40 HC Container Capacity: 32 Sets
Truck Capacity: 42 Sets

Color Palette



Dimension



CHAIR



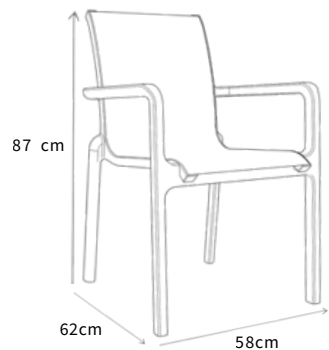


PARIS



The Paris Chair combines a gas-injected fiberglass frame with ergonomic comfort. Stackable and easy to clean, this distinctive piece is perfect for both indoor and outdoor venues.

Dimension



Technical Details

Material: Glass fiber-reinforced polypropylene
 Product Weight: 5,40 Kg
 Package Dimensions: 60x115x235 cm
 Stacking Quantity: 30 pcs
 40 HC Container Capacity: 1200 pcs
 Truck Capacity: 1320 pcs

Fabric

- Cappucino
- Anthracite
- Blue

Color Palette



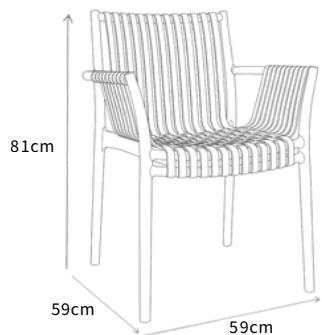


VICTOR



The Victor Chair combines a gas-injected fiberglass frame with a sleek design and natural tones. Stackable and versatile, this piece effortlessly adapts to any indoor or outdoor concept

Dimension



Technical Details

Material: Glass fiber-reinforced polypropylene

Product Weight: 4.80 kg

Package Dimensions: 60 x 69.5 x 98.5 cm

Stacking Quantity: 4 pcs

40 HC Container Capacity: 680 pcs

Truck Capacity: 832 pcs

Color Palette



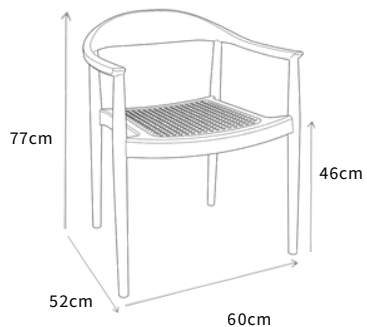


KENNEDY

The Kennedy Chair combines a gas-injected fiberglass frame with an ergonomic cane-style seat. UV-resistant and stackable, its natural tones seamlessly adapt to any indoor or outdoor concept



Dimension



Technical Details

Material: Glass fiber-reinforced polypropylene
 Product Weight: 4,50 kg
 Package Dimensions: 63x91x260 cm
 Stacking Quantity: 24 pcs
 40 HC Container Capacity: 1296 pcs
 Truck Capacity: 1440 pcs

Color Palette



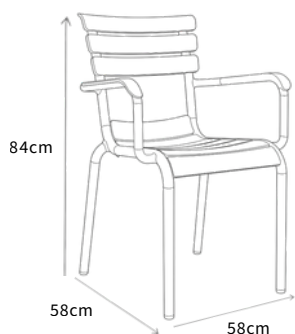


HERA XL



The Hera XL Armchair combines a gas-injected fiberglass frame with a spacious, ergonomic design. Stackable and easy to clean, this distinctive piece is perfect for both indoor and outdoor venues.

Dimension



Technical Details

Material: Glass fiber-reinforced polypropylene

Product Weight: 4,25 kg

Package Dimensions: 60x100x250 cm

Stacking Quantity: 26 pcs

40 HC Container Capacity: 1144 pcs

Truck Capacity: 1352 pcs

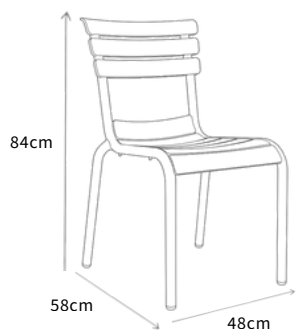
Color Palette





The Hera Chair combines a gas-injected fiberglass frame with a sleek, ergonomic design. Stackable and UV-resistant, its natural tones seamlessly adapt to any indoor or outdoor concept.

Dimension



Technical Details

Material: Glass fiber-reinforced polypropylene

Product Weight: 4,15 kg

Package Dimensions: 50 x 100 x 250 cm

Stacking Quantity: 26 pcs

40 HC Container Capacity: 1430 pcs

Truck Capacity: 1690 pcs

HERA



Color Palette





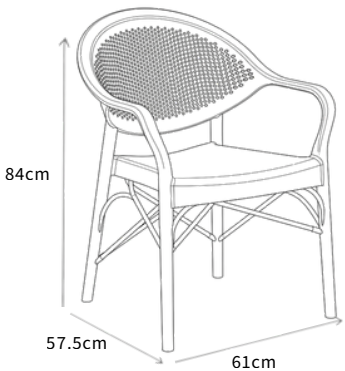
MOON



The Moon Chair combines a gas-injected fiberglass frame with a unique honeycomb pattern. Stackable and versatile, its natural tones seamlessly adapt to any indoor or outdoor concept.

Dimension

Technical Details



Material: Glass fiber-reinforced polypropylene

Product Weight: 4,50 kg

Package Dimensions: 62x86x255 cm

Stacking Quantity: 22 pcs

40 HC Container Capacity: 1166 pcs

Truck Capacity: 1320 pcs

Color Palette



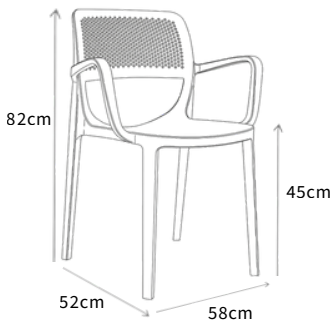


MILA XL



The Mila XL Armchair combines a gas-injected fiberglass frame with a spacious, honeycomb-patterned design. UV-resistant and stackable, it seamlessly adapts to any indoor or outdoor concept.

Dimension



Technical Details

Material: Glass fiber-reinforced polypropylene

Product Weight: 3,80 kg

Package Dimensions: 58x95x255 cm

Stacking Quantity: 24 pcs

40 HC Container Capacity: 1368 pcs

Truck Capacity: 1464 pcs

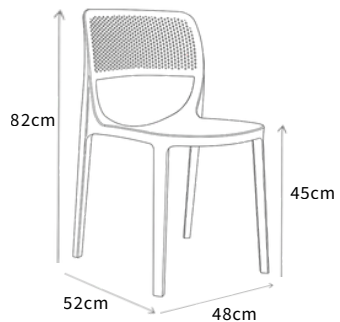
Color Palette





The Mila Chair combines a gas-injected fiberglass frame with a stylish, honeycomb-patterned design. UV-resistant and stackable, it seamlessly adapts to any indoor or outdoor concept.

Dimension



Technical Details

Material: Glass fiber-reinforced polypropylene

Product Weight: 3,40 kg

Package Dimensions: 48x95x255 cm

Stacking Quantity: 32 pcs

40 HC Container Capacity: 1696 pcs

Truck Capacity: 1952 pcs

MILA



Color Palette



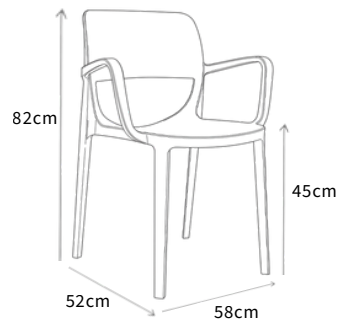


BELLA XL



Bella XL Armchair stands out with its gas-injected fiberglass frame and spacious, ergonomic design. Thanks to its stackable structure and natural tones, it easily complements both indoor and outdoor décor.

Dimension



Technical Details

Material: Glass fiber-reinforced polypropylene

Product Weight: 4 kg

Package Dimensions: 58x95x255 cm

Stacking Quantity: 24 pcs

40 HC Container Capacity: 1368 pcs

Truck Capacity: 1464 pcs

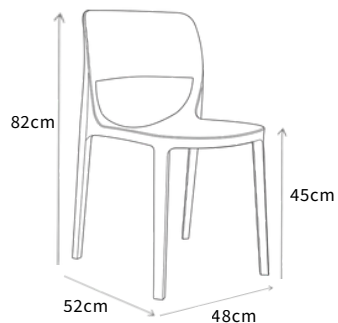
Color Palette





The Bella Chair combines a gas-injected fiberglass frame with a spacious, ergonomic design. Stackable and versatile, its natural tones effortlessly complement any indoor or outdoor setting

Dimension



Technical Details

Material: Glass fiber-reinforced polypropylene

Product Weight: 3,60 kg

Package Dimensions: 48x95x255 cm

Stacking Quantity: 32 pcs

40 HC Container Capacity: 1696 pcs

Truck Capacity: 1952 pcs

BELLA



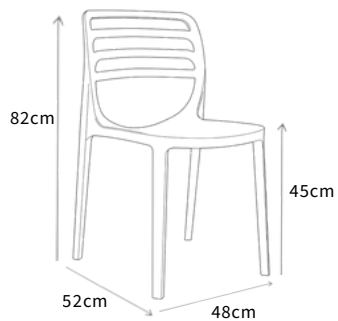
Color Palette





The Laura Chair combines a gas-injected fiberglass frame with an elegant, linear design. UV-resistant and stackable, its natural tones seamlessly adapt to any indoor or outdoor concept.

Dimension



Technical Details

Material: Glass fiber-reinforced polypropylene

Product Weight: 3,40 kg

Package Dimensions: 48x95x255 cm

Stacking Quantity: 32 pcs

40 HC Container Capacity: 1696 pcs

Truck Capacity: 1952 pcs

LAURA



Color Palette





TIARA XL



The Tiara XL Armchair combines a gas-injected fiberglass frame with a spacious, cross-linear back design. Durable and stackable, it offers a stylish seating solution for both indoor and outdoor areas.

Dimension



Technical Details

Material: Glass fiber-reinforced polypropylene

Product Weight: 4,25 kg

Package Dimensions: 56x83x255 cm

Stacking Quantity: 20 pcs

40 HC Container Capacity: 1120 pcs

Truck Capacity: 1280 pcs

Color Palette





The Tiara Chair combines a gas-injected fiberglass frame with a unique cross-linear back design. Durable and stackable, it is the perfect seating solution for any indoor or outdoor setting

Dimension



Technical Details

Material: Glass fiber-reinforced polypropylene

Product Weight: 4 kg

Package Dimensions: 47x83x255 cm

Stacking Quantity: 20 pcs

40 HC Container Capacity: 1400 pcs

Truck Capacity: 1600 pcs

TIARA



Color Palette



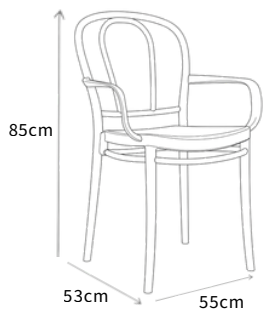


ROSA XL



The Rosa XL Armchair combines a gas-injected fiberglass frame with a natural, circular design. Durable and stackable, this elegant piece is ideal for both indoor and outdoor settings

Dimension



Technical Details

Material: Glass fiber-reinforced polypropylene

Product Weight: 3,85 kg

Package Dimensions: 56x83x255 cm

Stacking Quantity: 20 pcs

40 HC Container Capacity: 1120 pcs

Truck Capacity: 1280 pcs

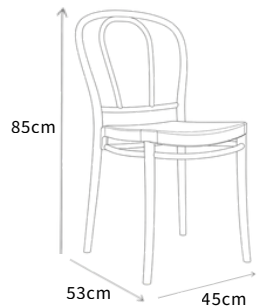
Color Palette





The Rosa Chair combines a gas-injected fiberglass frame with a natural, circular design. Durable and stackable, this versatile piece is perfect for any indoor or outdoor setting

Dimension



Technical Details

Material: Glass fiber-reinforced polypropylene

Product Weight: 3,60 kg

Package Dimensions: 47x83x255 cm

Stacking Quantity: 20 pcs

40 HC Container Capacity: 1400 pcs

Truck Capacity: 1600 pcs

ROSA



Color Palette



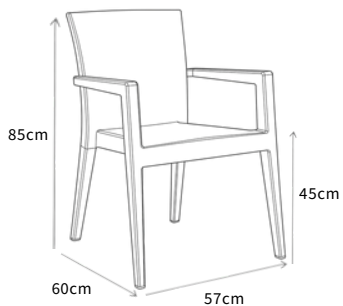


MONTANA



The Montana Chair combines a gas-injected fiberglass frame with a stylish flat-patterned design. UV-protected and stackable, this weather-resistant piece is perfect for both indoor and outdoor venues

Dimension



Technical Details

Material: Glass fiber-reinforced polypropylene

Product Weight: 5,50 kg

Package Dimensions: 59x103x260 cm

Stacking Quantity: 20 pcs

40 HC Container Capacity: 1040 pcs

Truck Capacity: 1120 pcs

Color Palette

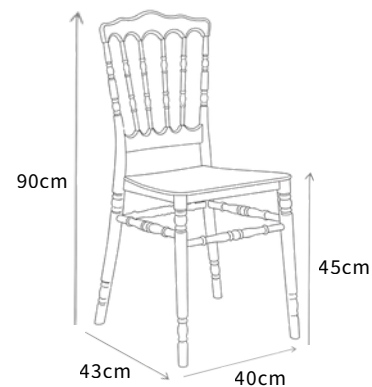


NAPOLYON

The Napolyon Chair combines a gas-injected fiberglass frame with a space-saving design, perfect for weddings and events. UV-resistant and CATAS certified, it features optional water-repellent cushions for lasting comfort.



Dimension



Technical Details

Material: Glass fiber-reinforced polypropylene
Product Weight: 3,80 kg
Package Dimensions: 45 x 96 x 267 cm
Stacking Quantity: 14 pcs
40 HC Container Capacity: 1498 pcs
Truck Capacity: 1694 pcs

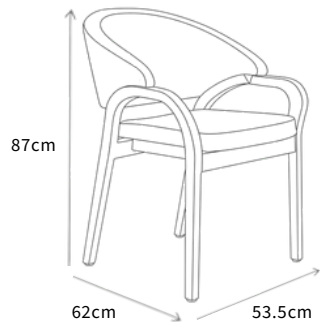


LIBRA



The Libra Chair combines a gas-injected fiberglass frame with high-density molded foam for ultimate comfort. Featuring UV-resistant and water-repellent eco-leather, this unique, easy-to-assemble piece is perfect for both indoor and outdoor luxury.

Dimension



Frame Color Palette



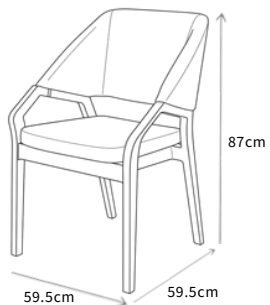
Color Palette





The Linea Chair combines a gas-injected fiberglass frame with high-density molded foam for superior ergonomics. Featuring UV-resistant and water-repellent eco-leather, this durable, easy-to-assemble piece is ideal for premium indoor and outdoor use.

Dimension



Frame Color Palette



LINEA



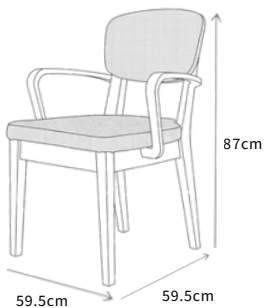
Color Palette





The Ares XL Up Armchair combines a gas-injected fiberglass frame with high-density molded foam for a spacious, ergonomic seating experience. Featuring UV-resistant and water-repellent eco-leather, this unique piece is ideal for premium indoor and outdoor use.

Dimension



Frame Color Palette



ARES UP

XL



Color Palette



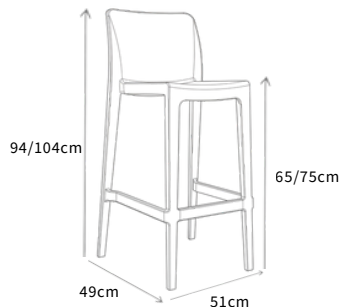
BAR CHAIR





The Luna Bar Chair combines a gas-injected fiberglass frame with a sleek, ergonomic design. Stackable and easy to clean, this distinctive piece is perfect for both indoor and outdoor bar settings.

Dimension



Technical Details

Material: Glass fiber-reinforced polypropylene

Product Weight: 5,50 kg

Package Dimensions: 53x172x250 cm

Stacking Quantity: 24 pcs

40 HC Container Capacity: 960 pcs

Truck Capacity: 1152 pcs

LUNA 75



Color Palette





LISA 75



The Lisa Bar Chair combines a gas-injected fiberglass frame with a sleek, ergonomic design. Stackable and easy to clean, this distinctive piece is perfect for both indoor and outdoor bar settings.

Dimension



Technical Details

Material: Glass fiber-reinforced polypropylene

Product Weight: 5,50 kg

Package Dimensions: 53x172x250 cm

Stacking Quantity: 24 pcs

40 HC Container Capacity: 960 pcs

Truck Capacity: 1152 pcs

Color Palette



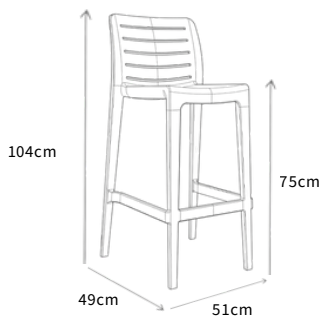


LEVA 75

The Leva Bar Chair combines a gas-injected fiberglass frame with a sleek, ergonomic design. Stackable and easy to clean, this distinctive piece is perfect for both indoor and outdoor bar settings.



Dimension



Technical Details

Material: Glass fiber-reinforced polypropylene

Product Weight: 5,50 kg

Package Dimensions: 53x172x250 cm

Stacking Quantity: 24 pcs

40 HC Container Capacity: 960 pcs

Truck Capacity: 1152 pcs

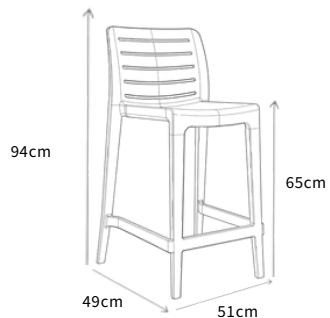
Color Palette





The Leva Bar Chair combines a gas-injected fiberglass frame with a sleek, ergonomic design. Stackable and easy to clean, this distinctive piece is perfect for both indoor and outdoor bar settings

Dimension



Technical Details

Material: Glass fiber-reinforced polypropylene

Product Weight: 5,30 kg

Package Dimensions: 53x172x250 cm

Stacking Quantity: 24 pcs

40 HC Container Capacity: 960 pcs

Truck Capacity: 1152 pcs

LEVA 65



Color Palette



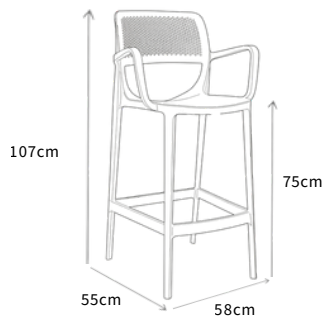


MILA XL



The Mila Bar XL with armrests combines a gas-injected fiberglass frame with a spacious, ergonomic design. Featuring armrests and UV protection, this weather-resistant piece offers superior comfort for any indoor or outdoor bar setting

Dimension



Technical Details

Material: Glass fiber-reinforced polypropylene

Product Weight: 5,60 kg

Package Dimensions: 58x95x255 cm

Stacking Quantity: 24 pcs

40 HC Container Capacity: 840 pcs

Truck Capacity: 960 pcs

Color Palette



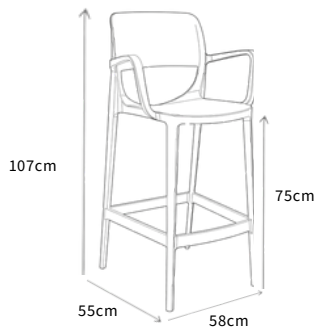


BELLA XL



The Bella Bar XL with armrests combines a gas-injected fiberglass frame with a spacious, ergonomic design. Featuring armrests and UV protection, this weather-resistant piece offers superior comfort for any indoor or outdoor bar setting.

Dimension



Technical Details

Material: Glass fiber-reinforced polypropylene

Product Weight: 5,80 kg

Package Dimensions: 58x95x255 cm

Stacking Quantity: 24 pcs

40 HC Container Capacity: 840 pcs

Truck Capacity: 960 pcs

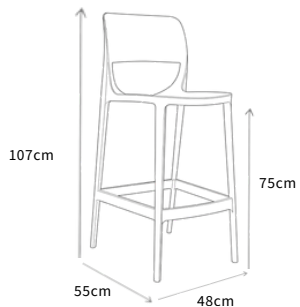
Color Palette





The Bella Bar Chair combines a gas-injected fiberglass frame with a sleek, ergonomic design. UV-protected and weather-resistant, it offers superior comfort and durability for any indoor or outdoor bar setting.

Dimension



Technical Details

Material: Glass fiber-reinforced polypropylene

Product Weight: 5,40 kg

Package Dimensions: 58x95x255 cm

Stacking Quantity: 32 pcs

40 HC Container Capacity: 960 pcs

Truck Capacity: 1120 pcs

BELLA



Color Palette



TABLE BASE



PLASTIC TABLE BASE



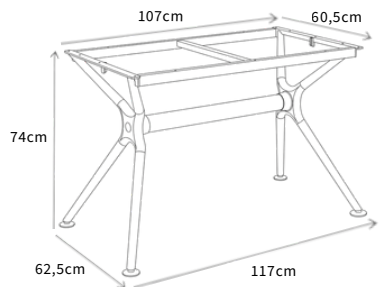


MODUS L



The Modus L Table Base features a gas-injected fiberglass frame with a ball-joint leveling system for maximum stability on uneven surfaces. Designed for mid-sized surfaces up to 90x150 cm, its reinforced profiles prevent table sagging

Dimension



Technical Details

Material: Glass fiber-reinforced polypropylene

Product Weight: 7.25 kg

Box Dimensions: 61x75x23 cm

Quantity per Box: 1 Piece / 2 Box

20 DC Container: 300 units

40 HC Container: 680 units

Truck Capacity: 800 units

Color Palette

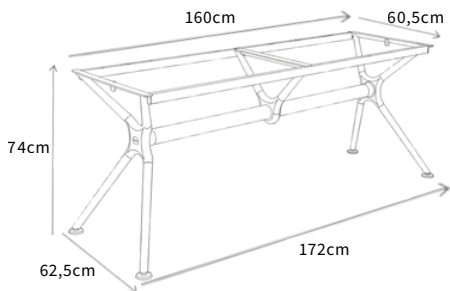




MODUS XL

The Modus XL Table Base features a gas-injected fiberglass frame with a ball-joint leveling system for maximum stability on uneven surfaces. Specifically engineered for large surfaces up to 90x210 cm, its reinforced profiles prevent table sagging

Dimension



Technical Details

Material: Glass fiber-reinforced polypropylene

Product Weight: 9.5 kg

Box Dimensions: 61x75x23 cm

Quantity per Box: 1 Piece / 2 Box

20 DC Container: 280 units

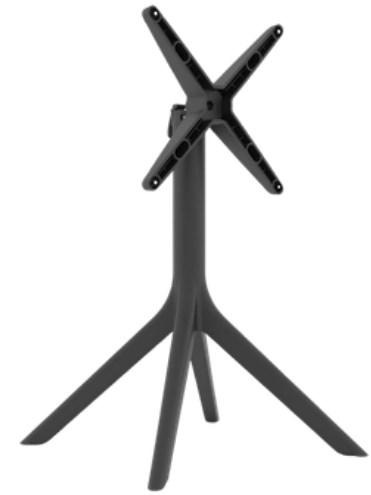
40 HC Container: 620 units

Truck Capacity: 750 units



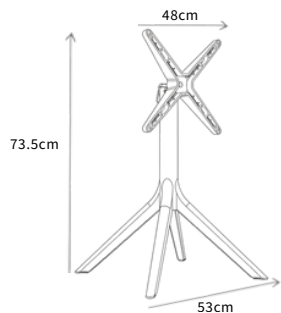


RITA FOLD



The Rita Fold Table Base features a gas-injected fiberglass frame with a practical folding mechanism. Compatible with 70x70 cm and 80x80 cm table tops, it offers a space-saving and durable solution for any setting.

Dimension



Technical Details

Material: Glass fiber-reinforced polypropylene

Product Weight: 5,70 kg

Box Dimensions: 55.5 x 55.5 x 38.5 cm

Quantity per Box: 1 Piece / 1 Box

20 DC Container: 252 units

40 HC Container: 504 units

Truck Capacity: 672 units

Color Palette



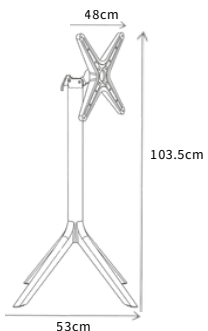


RITA FOLD BAR



The Rita Fold Bar Table Base combines a gas-injected fiberglass frame with a practical folding mechanism. Designed for bar-height settings, it is compatible with 70x70 cm and 80x80 cm table tops for a space-saving solution.

Dimension



Technical Details

Material: Glass fiber-reinforced polypropylene

Product Weight: 7,20 kg

Box Dimensions: 55,5x55,5x38,5 cm

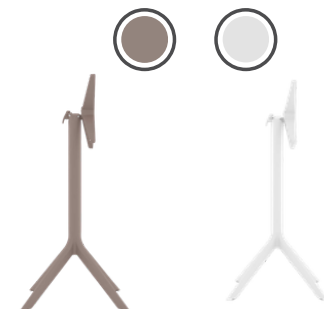
Quantity per Box: 1 Piece / 1 Box

20 DC Container: 252 units

40 HC Container: 504 units

Truck Capacity: 672 units

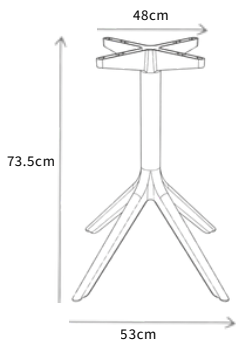
Color Palette





The Rita Table Base features a gas-injected fiberglass frame, engineered for maximum durability. Compatible with 70x70 cm and 80x80 cm table tops, it offers a sturdy and stylish foundation for any setting.

Dimension



Technical Details

Material: Glass fiber-reinforced polypropylene

Product Weight: 5.50 kg

Box Dimensions: 55.5 x 55.5 x 38.5 cm

Quantity per Box: 1 Piece / 1 Box

20 DC Container: 252 units

40 HC Container: 504 units

Truck Capacity: 672 units

RITA



Color Palette



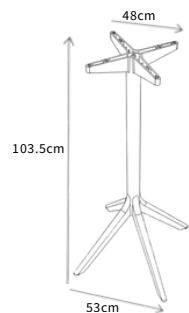


RITA BAR



The Rita Bar Table Base features a gas-injected fiberglass frame for superior stability and strength. Specifically designed for bar-height settings, it is compatible with 70x70 cm and 80x80 cm table tops.

Dimension



Technical Details

Material: Glass fiber-reinforced polypropylene

Product Weight: 7 kg

Box Dimensions: 55,5x55,5x38,5 cm

Quantity per Box: 1 Piece / 1 Box

20 DC Container: 252 units

40 HC Container: 504 units

Truck Capacity: 672 units

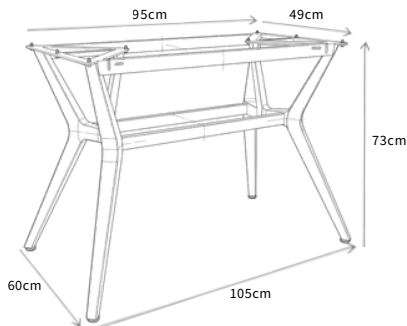
Color Palette





The Juno L Table Base features a gas-injected fiberglass frame with high UV resistance for maximum stability. Designed for larger surfaces, it is perfectly compatible with 70x120 cm and up to 80x140 cm table tops in any indoor or outdoor setting.

Dimension



Technical Details

Material: Glass fiber-reinforced polypropylene

Product Weight: 6 kg

Box Dimensions: 60x60x76 cm

Quantity per Box: 1 Piece / 2 Box

20 DC Container: 480 units

40 HC Container: 960 units

Truck Capacity: 1056 units

JUNO L



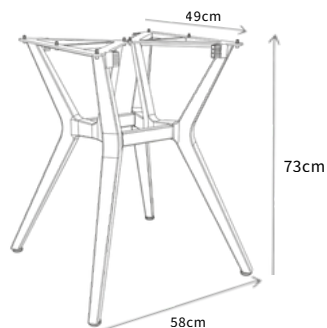
Color Palette





The Juno S Table Base features a gas-injected fiberglass frame with high UV resistance for lasting durability. Versatile and sturdy, it is compatible with 70x70 cm and 80x80 cm table tops in both indoor and outdoor settings.

Dimension



Technical Details

Material: Glass fiber-reinforced polypropylene

Product Weight: 7,20 kg

Box Dimensions: 55,5x55,5x38,5 cm

Quantity per Box: 1 Piece / 1 Box

20 DC Container: 252 units

40 HC Container: 504 units

Truck Capacity: 672 units

JUNOS



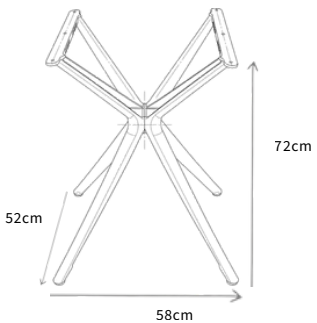
Color Palette





The Vega Table Base features a fiberglass-reinforced frame with high UV resistance for lasting durability. Versatile and stable, it is perfectly compatible with table tops up to 80x80 cm in both indoor and outdoor settings.

Dimension



Technical Details

Material: Glass fiber-reinforced polypropylene

Product Weight: 7,20 kg

Box Dimensions: 55,5x55,5x38,5 cm

Quantity per Box: 1 Piece / 1 Box

20 DC Container: 252 units

40 HC Container: 504 units

Truck Capacity: 672 units

VEGA



ALUMINIUM TABLE BASE

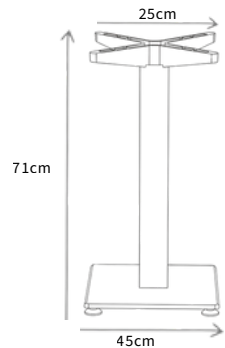




GONZO

The Gonzo Table Base features a stable 45x45 cm metal foundation with an aluminum column and plate. Durable and stylish, this versatile base is an ideal choice for hotels, restaurants, and cafes

Dimension



Technical Details

Material: Steel base plate / aluminum column
 Box Dimensions: 68x47x13 cm
 Quantity per Box: 2 Piece / 1 Box
 20 DC Container: 600 units
 40 HC Container: 1200 units
 Truck Capacity: 1520 units

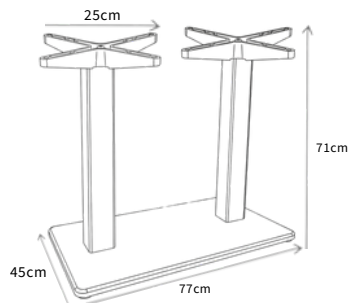




GONZO DUAL

The Gonzo Double Table Base features a stable 45 × 77 cm steel base, combined with an aluminum column and steel mounting plates. It supports tabletops up to 80 × 130 cm. Designed for larger surfaces, this durable base is an ideal choice for hotels, restaurants, and cafés.

Dimension



Technical Details

Material: Steel base plate / aluminum column

Product Weight: 15 kg

Box Dimensions: 79,5x47x13 cm

Quantity per Box: 1 Piece / 1 Box

20 DC Container: 360 units

40 HC Container: 720 units

Truck Capacity: 936 units

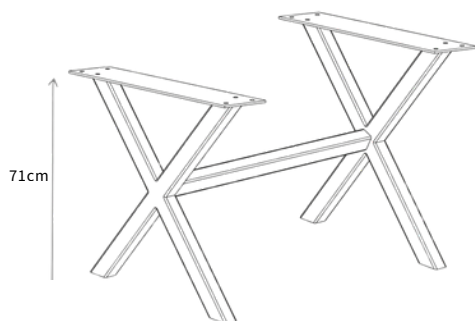




DOUBLE CROSS

The Double Cross Table Base features a powder-coated steel frame designed for maximum strength and stability. Equipped with adjustable leveling feet and suitable for both indoor and outdoor use, it comes as a practical two-piece set in a single box.

Dimension



Technical Details

Material: Electrostatic powder-coated steel
 Product Weight: 10 kg
 Box Dimensions: 76,5x67x21 cm
 Quantity per Box: 1 Piece / 1 Box
 20 DC Container: 216 units
 40 HC Container: 432 units
 Truck Capacity: 540 units

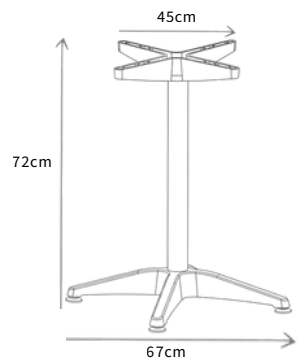




RUDY

Crafted from premium aluminum, the Rudy Single Table Base is exceptionally strong and highly corrosion-resistant. It is suitable for Ø70, Ø80 up to Ø120 tabletops. Featuring an optional plastic rattan column, it offers a durable and stylish foundation for any setting.

Dimension



Technical Details

Material: 100% aluminum
Product Weight: 6.50 kg
Box Dimensions: 64x54x12 cm
Quantity per Box: 1 Piece / 1 Box
20 DC Container: 880 units
40 HC Container: 1760 units
Truck Capacity: 2080 units

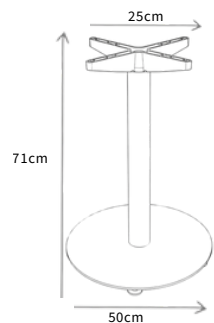




TOPAZ

The Topaz Table Base features a lightweight aluminum base available in Ø40 or Ø55, paired with an aluminum column and steel mounting plate. It is suitable for Ø60, Ø70, and Ø80 tabletops. Stylish and durable, it is an ideal choice for hotels, restaurants, and cafés.

Dimension



Technical Details

Material: Steel base plate / aluminum column

Product Weight: 9 kg

Box Dimensions: 55x69x10 cm

Quantity per Box: 1 Piece / 1 Box

20 DC Container: 800 units

40 HC Container: 1700 units

Truck Capacity: 1900 units

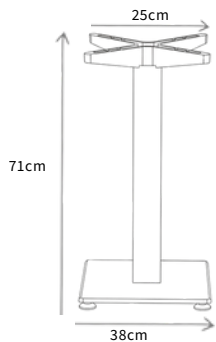




ENZO

The Enzo Table Base features a sturdy metal foundation with an aluminum column and plate. Available in various colors, this versatile and durable base is an ideal choice for hotels, restaurants, and cafes.

Dimension



Technical Details

Material: Steel base plate / aluminum column

Product Weight: 7.50 kg

Box Dimensions: 76x40x15 cm

Quantity per Box: 2 Piece / 1 Box

20 DC Container: 900 units

40 HC Container: 1800 units

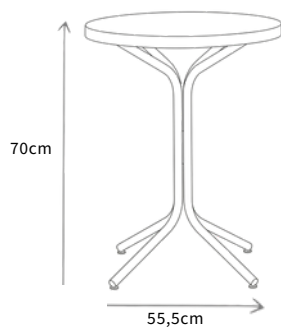
Truck Capacity: 2280 units





The Tavoli Table features a sleek 55 cm diameter metal frame, specifically designed for small spaces. Easy to assemble and delivered in a compact box, it offers a practical and stylish solution for cozy settings.

Dimension



Technical Details

Material: Electrostatic powder-coated steel

Product Weight: 4 kg

Box Dimensions: 73,5x58,5x10 cm

Quantity per Box: 1 Piece / 1 Box

20 DC Container: 704 units

40 HC Container: 1600 units

Truck Capacity: 1800 units

TAVOLI



Color Palette



TABLETOP





WERZALIT

Color Palette



The Werzalit Table Top collection offers a durable laminate surface available in round, square, and rectangular shapes. Featuring a wide range of dynamic patterns and customizable sizes, these tops provide a stylish and resilient solution for any setting.

Dimension

TableTop Size

- Ø 70 cm
- Ø 90 cm
- 70 x 70 cm
- 70 x 120 cm
- 80 x 140 cm

TableTop Weight

- 5.9 kg
- 9.5 kg
- 8.9 kg
- 14.3 kg
- 18.3 kg

Frame Color Palette





COMPACT

Color Palette



The Compact Table Top collection offers high-durability HPL laminate surfaces in round, square, and rectangular shapes. With customizable dimensions and dynamic patterns, these tops combine a sleek profile with superior resistance for any environment

Dimension

60 x 60 cm	6.25 kg
70 x 70 cm	8.30 kg
80 x 80 cm	11.10 kg
80 x 120 cm	16.70 kg
80 x 140 cm	18.30 kg
90 x 160 cm	25 kg
90 x 180 cm	28.50 kg

Frame Color Palette



FLIP TOP T60

The Flip Top table top features a 12 mm compact laminate surface set within a 3.5 cm electrostatic powder-coated aluminum frame. Designed for versatility, the dual-sided frame allows for different edge aesthetics to suit your design needs.



Dimension

Width: 59 cm

Depth: 59 cm

Height: 3.5 cm

Product Weight: 7.00 kg

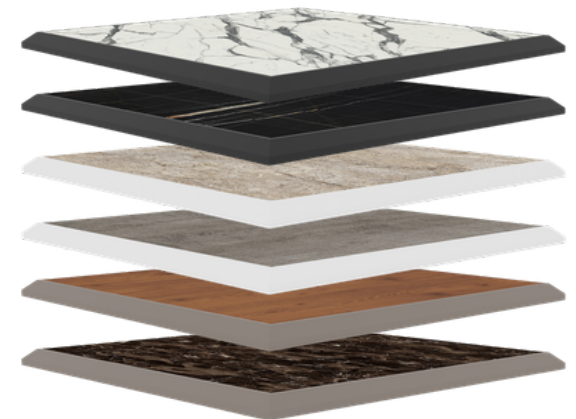
Package : 61.5 x 61.5 x 23.5 cm

Quantity per Box: 10 Units / Box

Frame Color Palette



Color Palette



FLIP TOP D60

The Flip Top table top features a 12 mm compact laminate surface integrated with a 3.5 cm electrostatic powder-coated aluminum frame. Its versatile dual-sided frame allows for distinct edge aesthetics to match different interior styles.



Dimension

Width: 59 cm

Depth: 59 cm

Height: 3.5 cm

Product Weight: 7.00 kg

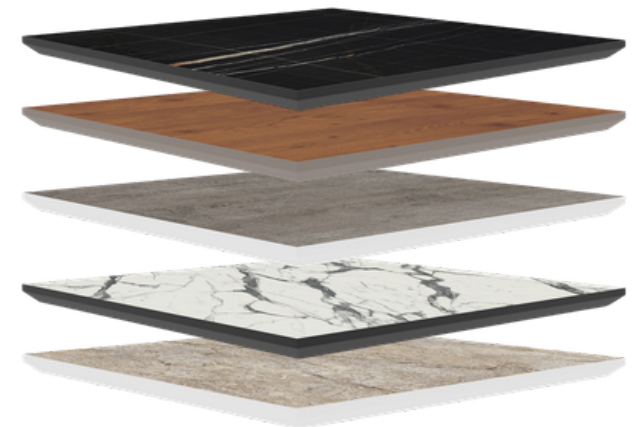
Package : 61.5 x 61.5 x 23.5 cm

Quantity per Box: 10 Units / Box

Frame Color Palette



Color Palette



FLIP TOP T70

The Flip Top table top features a 12 mm compact laminate surface integrated with a 3.5 cm electrostatic powder-coated aluminum frame. Its versatile dual-sided frame allows for distinct edge aesthetics to match different interior styles.



Dimension

Width: 70 cm

Depth: 70 cm

Height: 3.5 cm

Product Weight: 9.20 kg

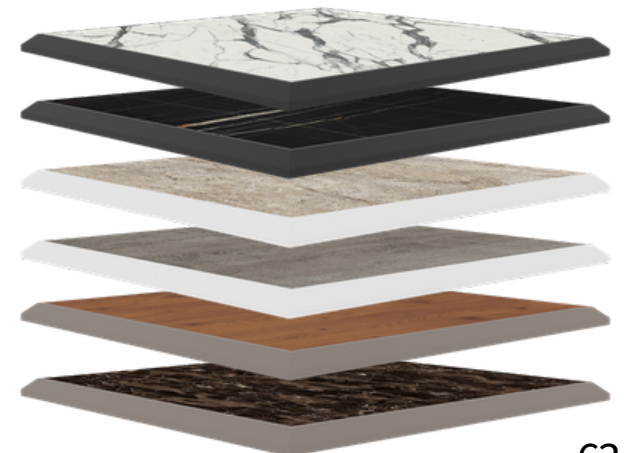
Package : 72,5x72,5x23,5 cm

Quantity per Box: 10 Units / Box

Frame Color Palette



Color Palette



FLIP TOP D70

The Flip Top table top features a 12 mm compact laminate surface integrated with a 3.5 cm electrostatic powder-coated aluminum frame. Its versatile dual-sided frame allows for distinct edge aesthetics to match different interior styles.



Dimension

Width: 70 cm

Depth: 70 cm

Height: 3.5 cm

Product Weight: 9.20 kg

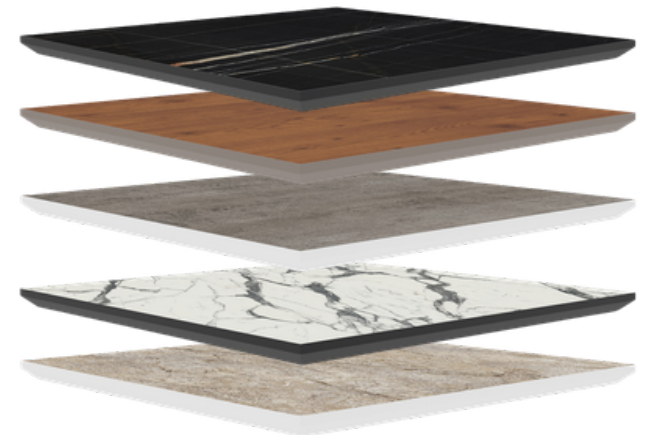
Package : 72,5x72,5x23,5 cm

Quantity per Box: 10 Units / Box

Frame Color Palette



Color Palette



FLIP TOP T80

The Flip Top table top features a 12 mm compact laminate surface integrated with a 3.5 cm electrostatic powder-coated aluminum frame. Its versatile dual-sided frame allows for distinct edge aesthetics to match different interior styles.



Dimension

Width: 80 cm

Depth: 80 cm

Height: 3.5 cm

Product Weight: 12.40 kg

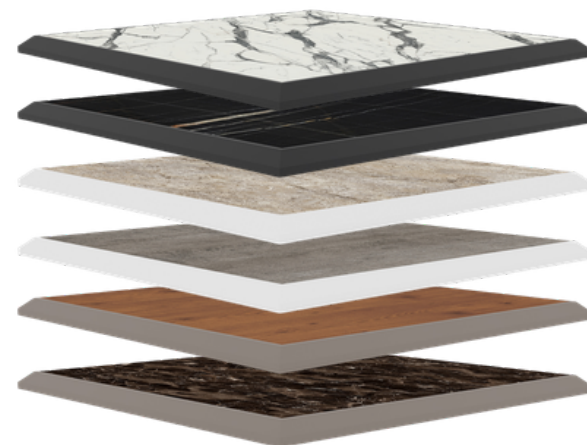
Package : 82,5x82,5x23,5 cm

Quantity per Box: 10 Units / Box

Frame Color Palette



Color Palette



FLIP TOP D80

The Flip Top table top features a 12 mm compact laminate surface integrated with a 3.5 cm electrostatic powder-coated aluminum frame. Its versatile dual-sided frame allows for distinct edge aesthetics to match different interior styles.



Dimension

Width: 80 cm

Depth: 80 cm

Height: 3.5 cm

Product Weight: 12.40 kg

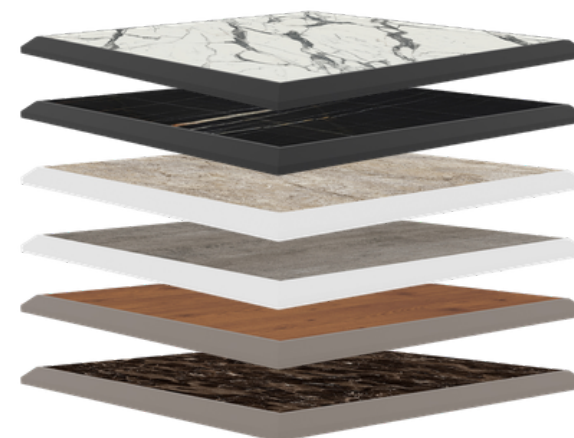
Package : 82,5x82,5x23,5 cm

Quantity per Box: 10 Units / Box

Frame Color Palette



Color Palette



FLIP TOP T80 X 140

The Flip Top table top features a 12 mm compact laminate surface integrated with a 3.5 cm electrostatic powder-coated aluminum frame. Its versatile dual-sided frame allows for distinct edge aesthetics to match different interior styles.



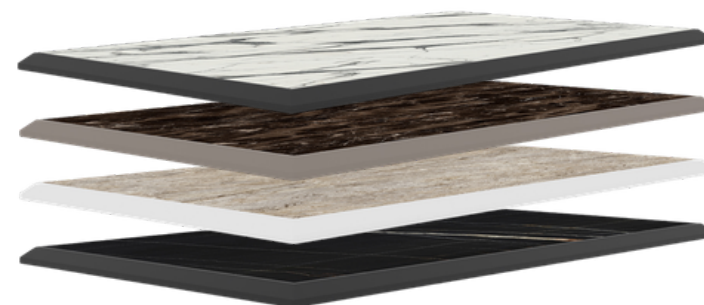
Dimension

Width: 80 cm
Depth: 140 cm
Height: 3.5 cm
Product Weight: 20 kg
Package : 82,5x142,5x23,5 cm
Quantity per Box: 10 Units / Box

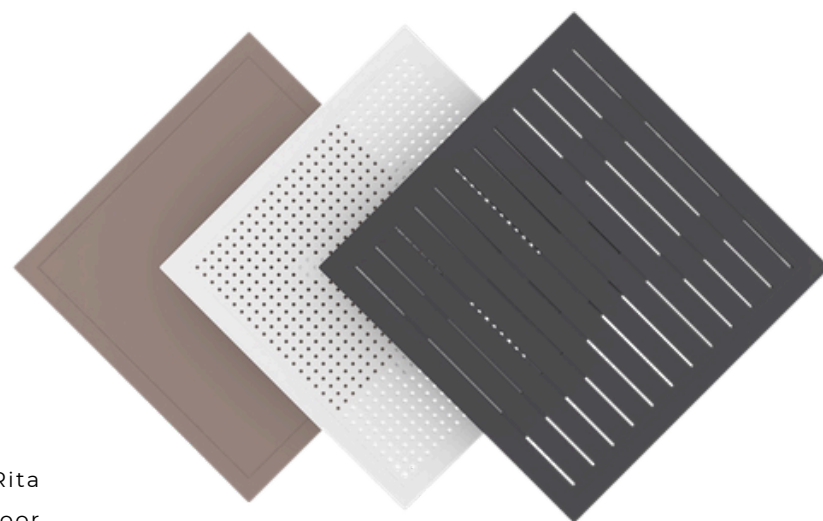
Frame Color Palette



Color Palette



SILVA



The Silva Table Top, produced with gas-injection technology, is perfectly compatible with Rita bases. Available in various colors and designs, it is an essential piece for both indoor and outdoor environments

Dimension

Width: 75 cm

Depth: 75 cm

Height: 3 cm

Product Weight: 5.20 kg

Package : 76x76x7 cm

Quantity per Box: 2 Units / Box

Frame Color Palette



DESIGN Palette



FLIP TOP D 80 X 140

The Flip Top table top features a 12 mm compact laminate surface integrated with a 3.5 cm electrostatic powder-coated aluminum frame. Its versatile dual-sided frame allows for distinct edge aesthetics to match different interior styles.



Dimension

Width: 80 cm

Depth: 140 cm

Height: 3.5 cm

Product Weight: 20 kg

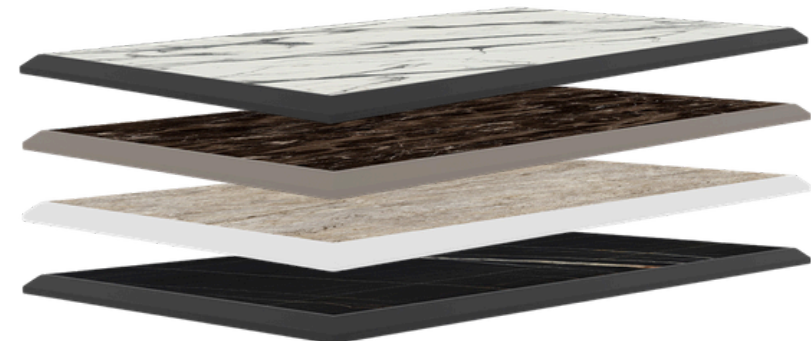
Package : 82,5x142,5x23,5 cm

Quantity per Box: 10 Units / Box

Frame Color Palette



Color Palette



JUNO-L COMPACT 80 X 140 SET

The Juno-L Compact Table features a high-durability 80x140 cm HPL surface paired with a gas-injected fiberglass and polypropylene base. This combination offers a perfect blend of stability and modern design for any setting.



Dimension

Width: 80 cm

Depth: 140 cm

Height: 75 cm

Product Weight: 26.65 kg

Frame Color Palette



Color Palette



CONSCIOUS PRODUCTION APPROACH



We Draw Our Power From Nature

We produce a large portion of the electricity used in our production facilities ourselves using solar panels



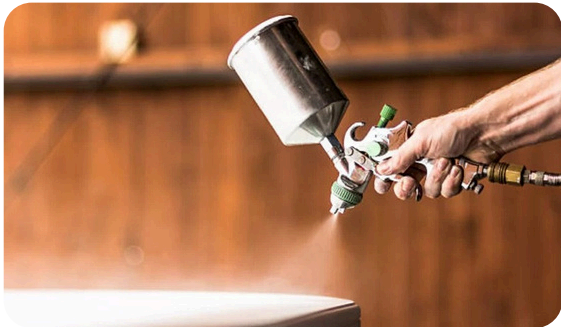
We Use Certified Wood

Every piece of wood used in our furniture comes from sustainably certified forests grown for industrial purposes (FSC certified).



We Adopt the Zero Waste Principle

We contribute back to the economy by converting sawdust and wood scraps generated during the production process into pellet fuel.



Health in Your Living Spaces

We protect indoor air quality by choosing eco-friendly water-based paints and varnishes that do not contain heavy metals in our furniture.



We Transform for the Future

We minimize natural resource consumption by using recyclable metal, textile, and packaging materials in our production processes.



A Sustainable Future

We reject the 'disposable' mindset and offer a long-lasting user experience through high-quality materials and robust craftsmanship.



Phone +90 332 717 00 03



Mobile / WhatsApp +90 535 783 9593



info@savilva.com



www.savilva.com



Kargacı Mh. 95925. Sk. A-Blok No: 7
Ereğli / Konya / Türkiye

SA SAVILVA