

A modern restaurant interior with a dark grey, vertically-slatted wall. In the foreground, a red leather sofa and a red leather chair are positioned around a black table with a dark, patterned top. A potted plant is on the left. In the background, a bar area is visible with shelves of bottles and another red leather chair. A single pendant light hangs over the table.

SAVILVA

HORECA FURNITURE

2026

*Collection '26*  
**SAVILVA**

*C*ONTENTS

_____	CHAIR
_____	BAR CHAIR
_____	BANK
_____	POUF
_____	BISTRO TABLE
_____	TABLE BASE

# ABOUT US

Founded in the Netherlands in 1997, SAVILVA began its journey as a family-owned business specializing in the production of sofa legs. Built on the core values of quality, design excellence, and sustainable production, the company quickly established itself as a trusted partner within the European furniture industry.

In 2002, SAVILVA relocated its production facilities to Türkiye. Since then, we have expanded our portfolio to include the in-house design and manufacturing of dining tables, chairs, sofas, and complete living collections.

Today, SAVILVA harmonizes its European heritage with master Turkish craftsmanship. Through a robust retail and export network, we continue to serve both domestic and international markets, bringing elegance and durability to modern living spaces.



# BANKS

These Gastro benches combine exceptional comfort with stylish design. Beneath the leatherette upholstery lies an ergonomically shaped foam core, providing a soft and supportive seating experience. Sit back, relax, and enjoy your meal on a plush, comfortable surface. The soft padding, wide seat, and ideal seat height ensure maximum comfort, while the sturdy construction delivers excellent stability and load-bearing capacity.



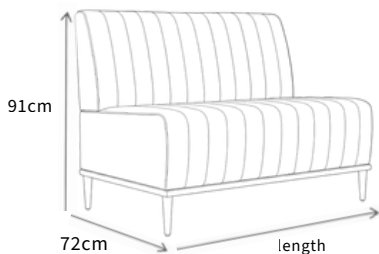


# BUMPY

A refined statement piece, the Bumpy bench combines contemporary elegance with exceptional comfort. Its soft contours and linear upholstery detailing create a modern look, while ergonomic padding ensures lasting comfort.



## Dimension



## Technical Details

Foam Density : 30 DNS  
 Foam Thickness : 90mm  
 Leather Thickness : 1 mm (+-0,5)  
 gr/m2 550 (+-20)  
 Load Capacity : 300 kg  
 Weight : 25 kg

## Material

Frame Wood : A-Grade  
 Premium leather  
 B1 certificate / hardly  
 flammable  
 Stain resistand luxury velvet

## Leather



## Velvet



## Size (length)

100 cm 120 cm 140 cm 160 cm 180 cm 200 cm

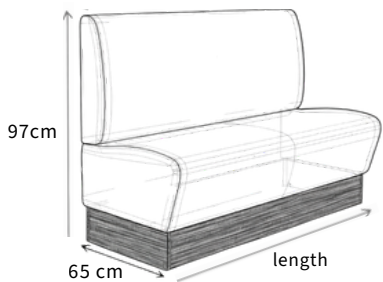


# AMSTERDAM



The Amsterdam bistro bench combines comfort and style with ergonomic padding and soft faux leather upholstery. Its sturdy construction ensures lasting stability—ideal for restaurants, cafés, lounges, and bars.

## Dimension



## Technical Details

Foam Density : 30 DNS  
 Foam Thickness : 50mm  
 Leather Thickness : 1 mm (+-0,5)  
 gr/m2 550 (+-20)  
 Load Capacity : 300 kg  
 Weight : 25 kg

## Material

Frame Wood : A-Grade  
 Premium leather  
 B1 certificate / hardly  
 flammable  
 Stain resistand luxury velvet

## Size (length)

100 cm 120 cm 140 cm 160 cm 180 cm 200 cm

## Leather



## Velvet



## Backrest Style



smooth

striped

diamond

chester

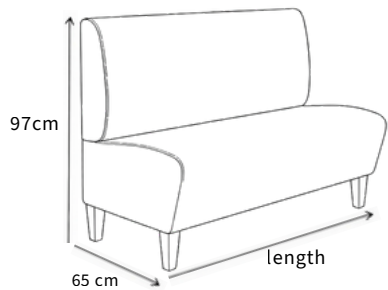


# PARIS



The Paris bistro bench combines modern style with ergonomic comfort, featuring soft faux leather upholstery and supportive foam padding. Its open-leg design ensures a light look and easy handling, while its durable build makes it ideal for cafés, restaurants, lounges, and bars.

## Dimension



## Technical Details

Foam Density : 30 DNS  
 Foam Thickness : 50mm  
 Leather Thickness : 1 mm (+-0,5)  
 gr/m2 550 (+-20)  
 Load Capacity : 300 kg  
 Weight : 25 kg

## Material

Frame Wood : A-Grade  
 Premium leather  
 B1 certificate / hardly  
 flammable  
 Stain resistand luxury velvet

## Size (length)

100 cm 120 cm 140 cm 160 cm 180 cm 200 cm

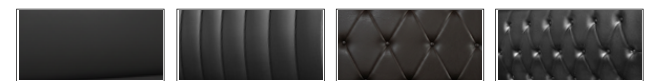
## Leather



## Velvet



## Backrest Style



smooth striped diamond chester

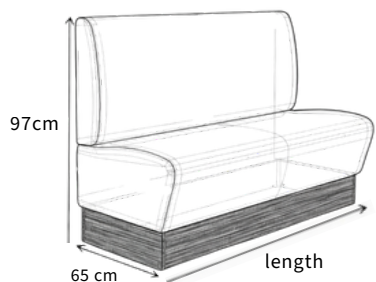


# B E R L I N



The Berlin bistro bench combines style and comfort with soft faux leather upholstery and ergonomic padding. Its closed Inox-finish base adds a modern touch, while its durable build makes it ideal for cafés, restaurants, lounges, and bars.

## Dimension



## Technical Details

Foam Density : 30 DNS  
 Foam Thickness : 50mm  
 Leather Thickness : 1 mm (+-0,5)  
 gr/m2 550 (+-20)  
 Load Capacity : 300 kg  
 Weight : 25 kg

## Material

Frame Wood : A-Grade  
 Premium leather  
 B1 certificate / hardly  
 flammable  
 Stain resistand luxury velvet

## Size (length)

100 cm 120 cm 140 cm 160 cm 180 cm 200 cm

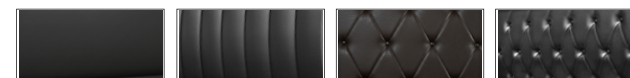
## Leather



## Velvet



## Backrest Style



smooth striped diamond chester

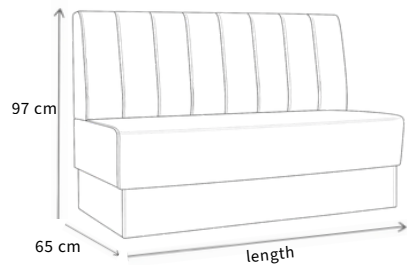


# MADRID



The "Madrid" bistro bench stands out with its bold, classic design and exceptional seating comfort. Its ergonomically shaped foam core and generously padded seat are upholstered in high-quality faux leather, offering a soft yet supportive seating experience.

## Dimension



## Technical Details

Foam Density : 30 DNS  
 Foam Thickness : 50mm  
 Leather Thickness : 1 mm (+-0,5)  
 gr/m2 550 (+-20)  
 Load Capacity : 300 kg  
 Weight : 25 kg

## Material

Frame Wood : A-Grade  
 Premium leather  
 B1 certificate / hardly  
 flammable  
 Stain resistand luxury velvet

## Size (length)

100 cm 120 cm 140 cm 160 cm 180 cm 200 cm

## Leather



## Velvet



## Backrest Style



smooth striped diamond chester

# CORNER

Combining durability with refined comfort, this modular corner bench maximizes space and seating capacity. Built for demanding hospitality environments, it offers stability and lasting performance—ideal for lounges, restaurants, and cafés.



**Amsterdam**



**Paris**



**Berlin**



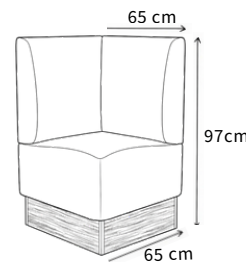
## Material

Premium leather  
B1 certificate / hardly flammable  
Stain resistant luxury velvet

## Technical Details

Foam Density : 30 DNS  
Foam Thickness : 50mm  
Leather Thickness : 1 mm (+-0,5)  
gr/m2 550 (+-20)  
Load Capacity : 230 kg  
Weight : 24 kg

## Dimension



## Leather



## Velvet



## Backrest Style



smooth striped diamond chester

## Size(length)

65 cm

# BANK

The Ülgen, Vera, and Tengri bistro benches combining modern elegance with superior comfort, these bistro benches feature armrests, ergonomic padding, and premium faux leather upholstery. Easy to reposition and designed for practicality, they are ideal for high-end hospitality interiors.



**Vera**



**Material**

Frame Wood : A-Grade Beech  
 Premium leather  
 B1 certificate / hardly flammable  
 Stain resistand luxury velvet

**Ülgen**



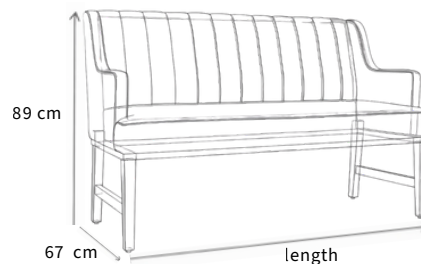
**Technical Details**

Foam Density : 30 DNS  
 Foam Thickness : 70mm  
 Leather Thickness : 1 mm (+-0,5)  
 gr/m2 550 (+-20)  
 Load Capacity : 300 kg  
 Weight : 25 kg

**Tengri**



**Dimension**



**Leather**



**Velvet**



**Backrest Style**



smooth striped diamond chester

**Size(length)**

100 cm 120 cm 140 cm 160 cm 180 cm 200 cm

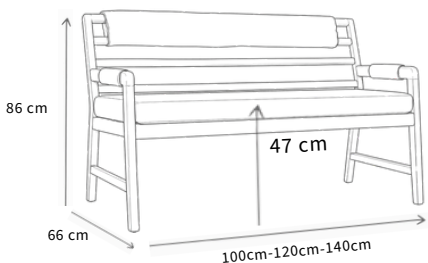


# LOKI



The Loki Bench features a modern, original design with upholstered seating on a wooden base. Combining the warmth of natural wood with the comfort of fabric, it creates a perfect balance of style and comfort. It adds an elegant touch and a contemporary atmosphere to any space.

## Dimension



## Technical Details

Foam Density : 30 DNS  
 Foam Thickness : 70mm  
 Leather Thickness : 1 mm (+-0,5)  
 gr/m2 550 (+-20)  
 Load Capacity : 300 kg  
 Weight : 20 kg

## Size (length)

100 cm 120 cm 140 cm 160 cm 180 cm 200 cm

## Material

Frame Wood : A-Grade  
 Premium leather  
 B1 certificate / hardly  
 flammable  
 Stain resistand luxury velvet

## Leather



## Velvet



## Backrest Style



smooth striped diamond chester

# CHAIR

Enhance your interior with our luxurious gastro chair, available in a variety of colors and upholstered in premium leather or velvet. Defined by its refined, high-end design, it combines exceptional durability and superior comfort with timeless elegance, making it the ideal choice for upscale restaurants, bistros, cafés, and hotel environments.



# l o k i m a x i

Inspired by Scandinavian design, the Loki Maxi chair combines natural materials with a clean, contemporary aesthetic. Its carefully upholstered backrest enhances comfort while maintaining a refined and minimalist look. A perfect balance of simplicity, functionality, and comfort.



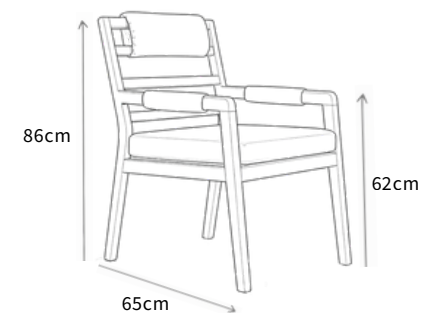
## Material

Frame: A Grade Beechwood  
Coating: Water-based, low-VOC, health and eco-friendly paint  
Upholstery: Premium stain-resistant fabric and leather  
Optional: B1 certified fire retardancy

## Technical Details

Foam Density : 30 DNS  
Foam Thickness : 70mm  
Leather Thickness : 1 mm (+-0,5)  
gr/m2 550 (+-20)  
Load Capacity : 160 kg  
Weight : 11.20 kg

## Dimension



## Leather



## Patterned Leather



## Velvet



# ü l g e n

The Ulgen chair offers exceptional comfort, combining the support of a wing chair with a refined design that invites guests to relax and stay longer. A must-have in cafés, restaurants, and hotels, Ulgen delivers comfort, durability, and timeless style.



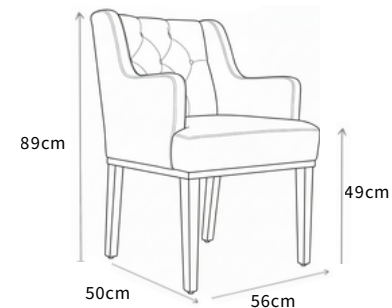
## Material

Frame: A Grade Beechwood  
Coating: Water-based, low-VOC, health and eco-friendly paint  
Upholstery: Premium stain-resistant fabric and leather  
Optional: B1 certified fire retardancy

## Technical Details

Foam Density : 30 DNS  
Foam Thickness : 70mm  
Leather Thickness :1 mm (+-0,5)  
gr/m2 550 (+-20)  
Load Capacity : 160 kg  
Weight : 11.80 kg

## Dimension



## Leather



## Patterned Leather



## Velvet



# v e r a

Vera combines refined comfort with robust construction. A favorite in bars, cafés, and lounges, it ensures durability and relaxed seating—ideal for demanding gastronomy environments.



## Material

Frame: A Grade Beechwood  
Coating: Water-based, low-VOC, health and eco-friendly paint  
Upholstery: Premium stain-resistant fabric and leather  
Optional: B1 certified fire retardancy

## Technical Details

Foam Density : 30 DNS  
Foam Thickness : 70mm  
Leather Thickness : 1 mm (+-0,5)  
gr/m2 550 (+-20)  
Load Capacity : 160 kg  
Weight : 13 kg

## Dimension



## Leather



## Patterned Leather



## Velvet



# t e n g r i

Tengri stands out with elegant arm details that combine visual impact with lasting comfort. A favorite in lounges, cafés, and hotel bars, it brings style, durability, and a welcoming atmosphere to any gastronomy space.



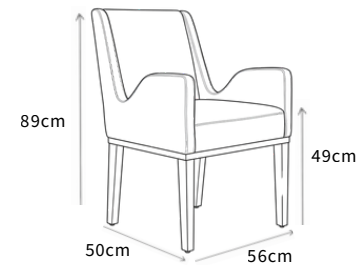
## Material

Frame: A Grade Beechwood  
Coating: Water-based, low-VOC, health and eco-friendly paint  
Upholstery: Premium stain-resistant fabric and leather  
Optional: B1 certified fire retardancy

## Technical Details

Foam Density : 30 DNS  
Foam Thickness : 70mm  
Leather Thickness : 1 mm (+-0,5)  
gr/m2 550 (+-20)  
Load Capacity : 160 kg  
Weight : 13 kg

## Dimension



## Leather



## Patterned Leather



## Velvet



# thor

The Thor chair combines warm natural tones with a solid hardwood frame and soft upholstery. Its versatile design fits seamlessly into minimalist and rustic interiors alike.



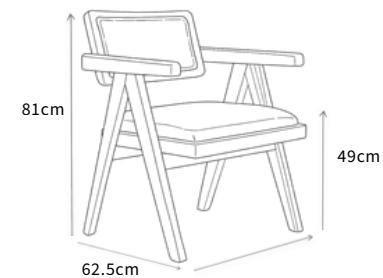
## Material

Frame: A Grade Beechwood  
Coating: Water-based, low-VOC, health and eco-friendly paint  
Upholstery: Premium stain-resistant fabric and leather  
Optional: B1 certified fire retardancy

## Technical Details

Foam Density : 32 DNS  
Foam Thickness : 70mm  
Leather Thickness : 1 mm (+-0,5)  
gr/m2 550 (+-20)  
Load Capacity : 160 kg  
Weight : 11.80 kg

## Dimension



## Leather



## Patterned Leather



## Velvet



# d i a n a

The Diana chair stands out with its strong presence and elegant design. Its solid wood construction ensures durability and lasting comfort. Ideal for high-traffic cafés, restaurants, and hotels, it brings character and strength to any space.



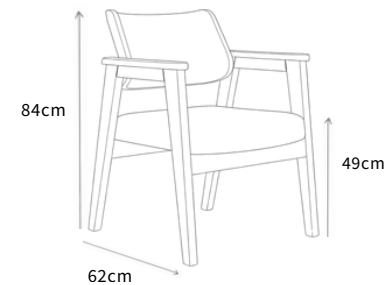
## Material

Frame: A Grade Beechwood  
Coating: Water-based, low-VOC, health and eco-friendly paint  
Upholstery: Premium stain-resistant fabric and leather  
Optional: B1 certified fire retardancy

## Technical Details

Foam Density : 30 DNS  
Foam Thickness : 70mm  
Leather Thickness : 1 mm (+-0,5)  
gr/m2 550 (+-20)  
Load Capacity : 160 kg  
Weight : 11.20 kg

## Dimension



## Leather



## Patterned Leather



## Velvet



# vesta

The Vesta chair blends clean lines with premium materials to create a timeless, elegant look. Refined details highlight its modern character, while versatile customization options allow it to fit seamlessly into nice interiors — a true statement of design and quality.



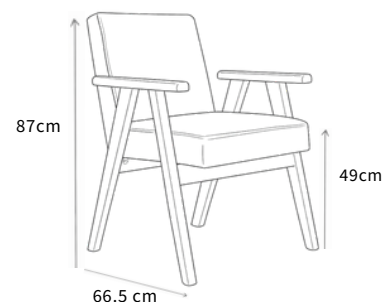
## Material

Frame: A Grade Beechwood  
Coating: Water-based, low-VOC, health and eco-friendly paint  
Upholstery: Premium stain-resistant fabric and leather  
Optional: B1 certified fire retardancy

## Technical Details

Foam Density : 30 DNS  
Foam Thickness : 70mm  
Leather Thickness : 1 mm (+-0,5)  
gr/m2 550 (+-20)  
Load Capacity : 160 kg  
Weight : 11.80 kg

## Dimension



## Leather



## Patterned Leather



## Velvet



# a t h e n a

The ergonomic design supports long hours of sitting, while high-quality upholstery materials provide softness and comfort. Also suitable for use in gastronomy environments.



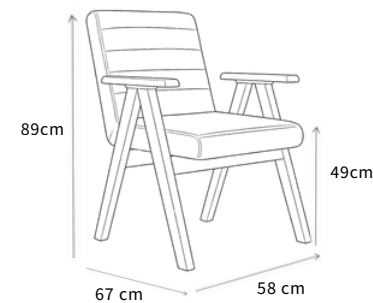
## Material

Frame: A Grade Beechwood  
Coating: Water-based, low-VOC, health and eco-friendly paint  
Upholstery: Premium stain-resistant fabric and leather  
Optional: B1 certified fire retardancy

## Technical Details

Foam Density : 30 DNS  
Foam Thickness : 70mm  
Leather Thickness : 1 mm (+-0,5)  
gr/m2 550 (+-20)  
Load Capacity : 160 kg  
Weight : 11 kg

## Dimension



## Leather



## Patterned Leather



## Velvet



# v u l k a n

Crafted from durable hornbeam wood and finished in an elegant walnut tone, the Vulkan chair brings together tradition and contemporary style. Its refined materials and balanced design make it a versatile choice for both classic and modern interiors.



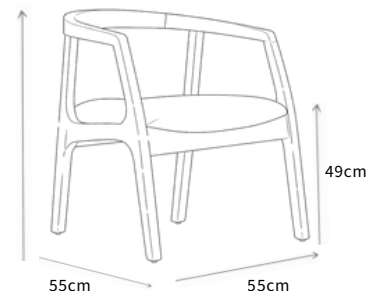
## Material

Frame: A Grade Beechwood  
Coating: Water-based, low-VOC, health and eco-friendly paint  
Upholstery: Premium stain-resistant fabric and leather  
Optional: B1 certified fire retardancy

## Technical Details

Foam Density : 30 DNS  
Foam Thickness : 70mm  
Leather Thickness : 1 mm (+-0,5)  
gr/m2 550 (+-20)  
Load Capacity : 160 kg  
Weight : 7.1 kg

## Dimension



## Leather



## Patterned Leather



## Velvet



# vidar

The Vidar chair is designed for refined interiors that embrace natural elegance. Warm tones and rich, organic textures create a sophisticated yet inviting presence. Celebrating the authentic beauty of wood, every detail reflects craftsmanship, comfort, and a timeless sense of harmony.



## Material

Frame: A Grade Beechwood  
Coating: Water-based, low-VOC, health and eco-friendly paint  
Upholstery: Premium stain-resistant fabric and leather  
Optional: B1 certified fire retardancy

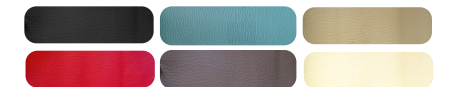
## Technical Details

Foam Density : 30 DNS  
Foam Thickness : 70mm  
Leather Thickness : 1 mm (+-0,5)  
gr/m2 550 (+-20)  
Load Capacity : 160 kg  
Weight : 12.20 kg

## Dimension



## Leather



## Patterned Leather



## Velvet



# artemis

Crafted from natural solid wood, this chair combines comfort, durability, and timeless elegance. Ideal for cafés, bars, lounges, and high-end gastronomy spaces.



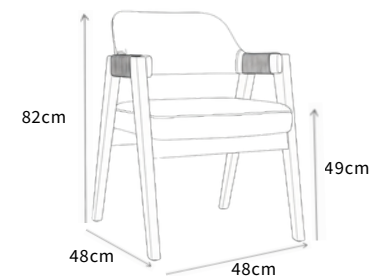
## Material

Frame: A Grade Beechwood  
Coating: Water-based, low-VOC, health and eco-friendly paint  
Upholstery: Premium stain-resistant fabric and leather  
Optional: B1 certified fire retardancy

## Technical Details

Foam Density : 30 DNS  
Foam Thickness : 70mm  
Leather Thickness : 1 mm (+-0,5)  
gr/m2 550 (+-20)  
Load Capacity : 160 kg  
Weight : 11.15 kg

## Dimension



## Leather



## Patterned Leather



## Velvet



# h e l l a   m a x i

Available in fabric or leather, it creates a warm, inviting atmosphere and blends effortlessly with both classic and modern interiors—offering flexibility for various design concepts.



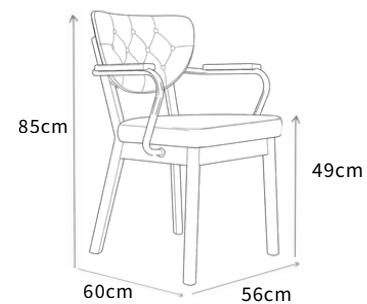
## Material

Metal Frame: Electrostatic powder coating  
Backrest and Armrest: Plywood (Paper)  
Upholstery: Premium stain-resistant fabric and leather Optional: B1 certified fire retardancy

## Technical Details

Foam Density : 30 DNS  
Foam Thickness : 50mm  
Leather Thickness : 1 mm (+-0,5)  
gr/m2 550 (+-20)  
Load Capacity : 140 kg  
Weight : 8.50 kg

## Dimension



## Leather



## Patterned Leather



## Velvet



# f l o r a

Add value to your living spaces with a chair that brings a rich, premium look and outstanding comfort — perfect for homes as well as cafés, restaurants and other gastronomy venues.



## Material

Frame: A Grade Beechwood  
Coating: Water-based, low-VOC, health and eco-friendly paint  
Upholstery: Premium stain-resistant fabric and leather  
Optional: B1 certified fire retardancy

## Technical Details

Foam Density : 30 DNS  
Foam Thickness : 50mm  
Leather Thickness : 1 mm (+-0,5)  
gr/m2 550 (+-20)  
Load Capacity : 160 kg  
Weight : 8.05 kg

## Dimension



## Leather



## Patterned Leather



## Velvet



# t i t a n

The Titan chair combines refined luxury with an elegant design. A solid hardwood frame, premium upholstery, and finely stitched details ensure both durability and comfort—perfect for restaurants, cafés, and hotels.



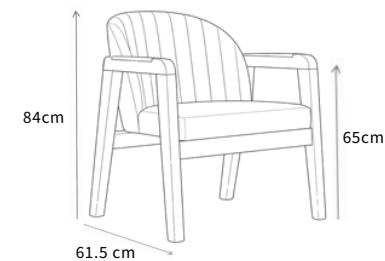
## Material

Frame: A Grade Beechwood  
Coating: Water-based, low-VOC, health and eco-friendly paint  
Upholstery: Premium stain-resistant fabric and leather  
Optional: B1 certified fire retardancy

## Technical Details

Foam Density : 30 DNS  
Foam Thickness : 70mm  
Leather Thickness : 1 mm (+0,5)  
gr/m2 550 (+20)  
Load Capacity : 160 kg  
Weight : 12 kg

## Dimension



## Leather



## Patterned Leather



## Velvet



# p a n d o r a

Defined by elegant lines and fluid forms, the Pandora chair stands out through its contemporary design language and refined material selection. Its modern character makes it a distinctive addition to elegant interiors. A perfect choice for those who appreciate clean aesthetics and innovative design.



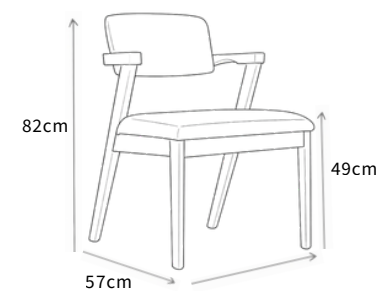
## Material

Frame: A Grade Beechwood  
Coating: Water-based, low-VOC, health and eco-friendly paint  
Upholstery: Premium stain-resistant fabric and leather  
Optional: B1 certified fire retardancy

## Technical Details

Foam Density : 30 DNS  
Foam Thickness : 70mm  
Leather Thickness : 1 mm (+-0,5)  
gr/m2 550 (+-20)  
Load Capacity : 140 kg  
Weight : 11.20 kg

## Dimension



## Leather



## Patterned Leather



## Velvet



# s e t h

The combination of wood and metal brings warmth, strength, and modern character to any space.

A favorite in cafés, restaurants, and trend-driven venues, it offers the perfect balance of style, durability, and everyday comfort.



## Material

Metal Frame: Electrostatic powder-coated

Backrest: Plywood

Legs and Armrests: Solid Beechwood

Upholstery: Premium stain-resistant fabric and leather

Optional: B1 certified fire retardancy

## Technical Details

Foam Density : 30 DNS

Foam Thickness : 70mm

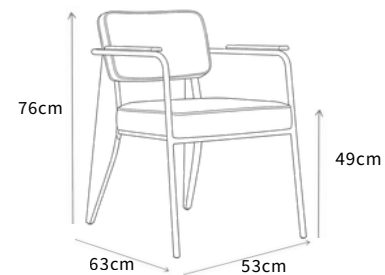
Leather Thickness : 1 mm (+-0,5)

gr/m2 550 (+-20)

Load Capacity : 140 kg

Weight : 10.15g

## Dimension



## Leather



## Patterned Leather



## Velvet



# h a d e s

Designed for lasting comfort, Hades offers ergonomic support and a stylish presence. A top-seller in gastronomy, it combines durability, elegance, and everyday comfort—ideal for cafés, restaurants, and lounges.



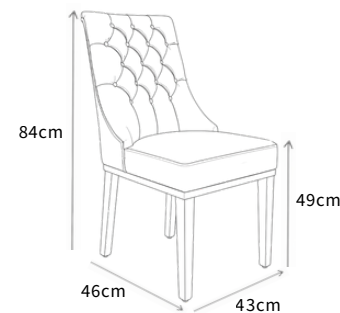
## Material

Frame: A Grade Beechwood  
Coating: Water-based, low-VOC, health and eco-friendly paint  
Upholstery: Premium stain-resistant fabric and leather  
Optional: B1 certified fire retardancy

## Technical Details

Foam Density : 30 DNS  
Foam Thickness : 50mm  
Leather Thickness : 1 mm (+-0,5)  
gr/m2 550 (+-20)  
Load Capacity : 160kg  
Weight : 9.05 kg

## Dimension



## Leather



## Patterned Leather



## Velvet



# Luna

The Luna chair impresses with its elegant, flowing silhouette and refined upholstery in premium leather or velvet. A popular choice for hotels, bars, and gastronomy venues, Luna combines contemporary design with outstanding comfort and durable construction for everyday professional use.



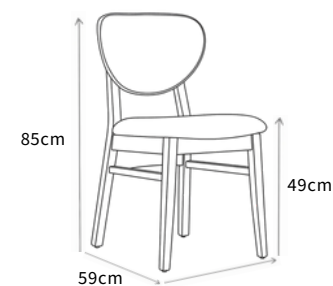
## Material

Frame: A Grade Beechwood  
Coating: Water-based, low-VOC, health and eco-friendly paint  
Upholstery: Premium stain-resistant fabric and leather  
Optional: B1 certified fire retardancy

## Technical Details

Foam Density : 30 DNS  
Foam Thickness : 50mm  
Leather Thickness : 1 mm (+-0,5)  
gr/m2 550 (+-20)  
Load Capacity : 140 kg  
Weight : 7 kg

## Dimension



## Leather



## Patterned Leather



## Velvet



# b o h e m

Crafted from natural materials, this chair brings warmth and effortless style to any space. Its relaxed design and durable build make it ideal for homes as well as cafés and restaurants. A simple yet striking chair guests will always enjoy.



## Material

Frame: A Grade Beechwood  
Coating: Water-based, low-VOC, health and eco-friendly paint  
Upholstery: Premium stain-resistant fabric and leather  
Optional: B1 certified fire retardancy

## Technical Details

Foam Density : 30 DNS  
Foam Thickness : 70mm  
Leather Thickness : 1 mm (+-0,5) gr/m2 550 (+-20)  
Load Capacity : 140 kg  
Weight : 8.55 kg

## Dimension



## Leather



## Patterned Leather



## Velvet



# poseidon

The Poseidon chair combines elegant metal lines with a modern design, offering both style and comfort through its curved seat. Durable and versatile, it is ideal for cafés, restaurants, and gastronomy spaces—bringing sophistication to any interior.



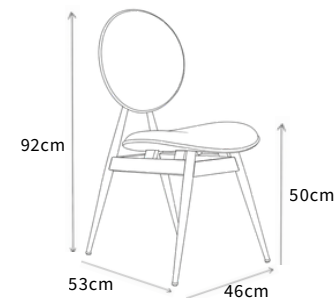
## Material

Metal Frame: Electrostatic powder-coated  
Backrest: Plywood  
Upholstery: Premium stain-resistant fabric and leather  
Optional: B1 certified fire retardancy

## Technical Details

Foam Density : 30 DNS  
Foam Thickness : 50mm  
Leather Thickness : 1 mm (+-0,5)  
gr/m2 550 (+-20)  
Load Capacity : 140 kg  
Weight : 7.25 kg

## Dimension



## Leather



## Patterned Leather



## Velvet



# L o k i

The Loki chair features an armless design that saves space and allows easy movement. Its minimalist structure creates a modern, stylish look, making it a practical solution for compact spaces and comfortable table use.



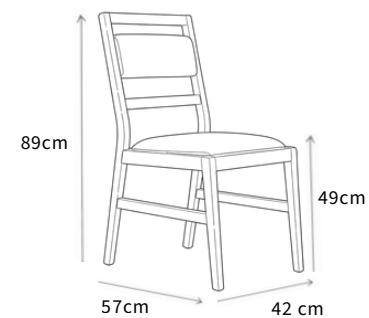
## Material

Frame: A Grade Beechwood  
Coating: Water-based, low-VOC, health and eco-friendly paint  
Upholstery: Premium stain-resistant fabric and leather  
Optional: B1 certified fire retardancy

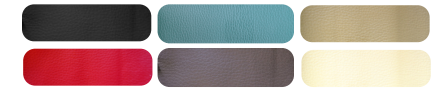
## Technical Details

Foam Density : 30 DNS  
Foam Thickness : 50mm  
Leather Thickness : 1 mm (+-0,5)  
gr/m2 550 (+-20)  
Load Capacity : 140 kg  
Weight : 8.50 kg

## Dimension



## Leather



## Patterned Leather



## Velvet



# h e l l a

The Hella chair combines modern elegance with refined comfort, featuring a durable metal structure and quilted detailing. Ideal for high-end gastronomy, it offers exceptional durability, comfort, and timeless appeal.



## Material

Metal Frame: Electrostatic powder-coated  
Backrest: Plywood  
Upholstery: Premium stain-resistant fabric and leather  
Optional: B1 certified fire retardancy

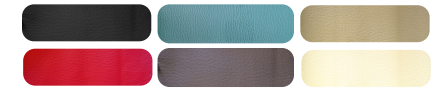
## Technical Details

Foam Density : 30 DNS  
Foam Thickness : 50mm  
Leather Thickness : 1 mm (+-0,5)  
gr/m2 550 (+-20)  
Load Capacity : 140 kg  
Weight : 8.50 kg

## Dimension



## Leather



## Patterned Leather



## Velvet



# vali maxi

The Vali Maxi chair with armrests combines compact design with added comfort and support. Its ergonomic form enhances the seating experience while remaining practical for busy cafés, restaurants, lounges, and waiting areas.



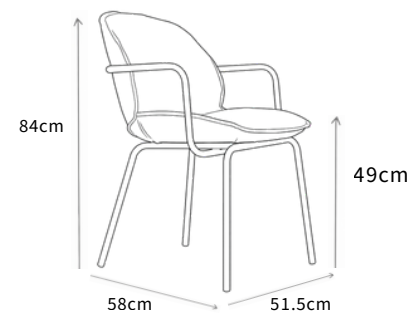
## Material

Metal Frame: Electrostatic powder-coated  
Backrest: Polyurethane  
Upholstery: Premium stain-resistant fabric and leather  
Optional: B1 certified fire retardancy

## Technical Details

Foam Density : 30 DNS  
Foam Thickness : 70mm  
Leather Thickness : 1 mm (+-0,5)  
gr/m2 550 (+-20)  
Load Capacity : 140 kg  
Weight : 8.50 kg

## Dimension



## Leather



## Patterned Leather



## Velvet



# aten

With its elegant curved silhouette and luxurious upholstery, the Aten chair is a true statement piece. Refined back detailing enhances its sophisticated appeal. Widely used in hotels, bars, and gastronomy, Aten combines style, comfort, and lasting durability.



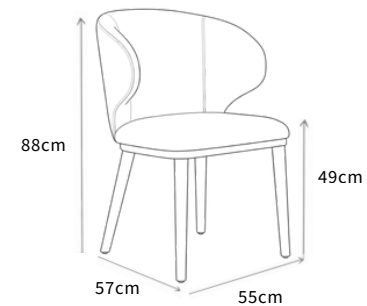
## Material

Frame: A Grade Beechwood  
Coating: Water-based, low-VOC, health and eco-friendly paint  
Upholstery: Premium stain-resistant fabric and leather  
Optional: B1 certified fire retardancy

## Technical Details

Foam Density : 30 DNS  
Foam Thickness : 70mm  
Leather Thickness : 1 mm (+0,5) gr/m2 550 (+20)  
Load Capacity : 160 kg  
Weight : 9kg

## Dimension



## Leather



## Patterned Leather



## Velvet



# m a r s

The Mars chair offers exceptional comfort, combining the support of a wing chair with a refined, modern design that invites guests to relax and stay longer. Designed for hospitality environments, Mars ensures long-lasting performance with a perfect balance of comfort and style.



## Material

Frame: A Grade Beechwood  
Coating: Water-based, low-VOC, health and eco-friendly paint  
Upholstery: Premium stain-resistant fabric and leather  
Optional: B1 certified fire retardancy

## Technical Details

Foam Density : 30 DNS  
Foam Thickness : 70mm  
Leather Thickness : 1 mm (+-0,5)  
gr/m<sup>2</sup> 550 (+-20)  
Load Capacity : 160kg  
Weight : 7.80 kg

## Dimension



## Leather



## Patterned Leather



## Velvet



# z e u s

The Zeus chair features a curved design for ergonomic comfort, even during extended seating.

With its modern, minimalist style, it adapts effortlessly to cafés, restaurants, and lounges.



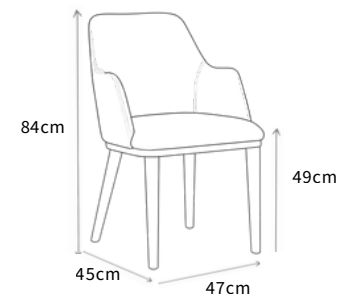
## Material

Frame: A Grade Beechwood  
Coating: Water-based, low-VOC, health and eco-friendly paint  
Upholstery: Premium stain-resistant fabric and leather  
Optional: B1 certified fire retardancy

## Technical Details

Foam Density : 30 DNS  
Foam Thickness : 70mm  
Leather Thickness : 1 mm (+-0,5)  
gr/m2 550 (+-20)  
Load Capacity : 140  
Weight : 7.85 kg

## Dimension



## Leather



## Patterned Leather



## Velvet



# amon

The Amon chair combines durability, elegance, and comfort, making it an ideal seating solution for cafés, restaurants, and lounges. Designed for everyday use in the gastronomy sector, it's a reliable favourite among both professionals and guests.



## Material

Frame: A Grade Beechwood  
Coating: Water-based, low-VOC, health and eco-friendly paint  
Upholstery: Premium stain-resistant fabric and leather  
Optional: B1 certified fire retardancy

## Technical Details

Foam Density : 30 DNS  
Foam Thickness : 70mm  
Leather Thickness : 1 mm (+-0,5)  
gr/m2 550 (+-20)  
Load Capacity : 160 kg  
Weight : 7.50 kg

## Dimension



## Leather



## Patterned Leather



## Velvet



# balder

Balder stands out with a bold presence and a sleek black metal frame. The upholstered seat ensures premium comfort, while its color options add a touch of elegance. Ideal for cafés, restaurants, and modern interiors, Balder blends style with versatility.



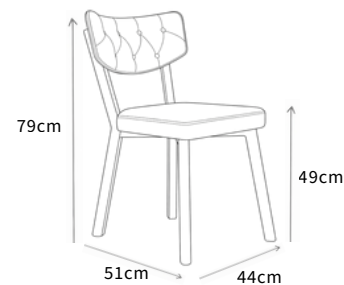
## Material

Metal Frame: Electrostatic powder-coated  
Backrest: Plywood  
Upholstery: Premium stain-resistant fabric and leather  
Optional: B1 certified fire retardancy

## Technical Details

Foam Density : 32 DNS  
Foam Thickness : 70mm  
Leather Thickness : 1 mm (+-0,5)  
gr/m2 550 (+-20)  
Load Capacity : 160 kg  
Weight : 6.70 kg

## Dimension



## Leather



## Patterned Leather



## Velvet



# g a i a

Gaia chair features a wooden seat and backrest set on a sleek metal frame. The cool, modern lines of the metal are softened by the warm tones of the wood, while premium leather options add a touch of elegance and sophistication.



## Material

Metal Frame: Electrostatic powder-coated  
Backrest and Seat: Solid beechwood  
Upholstery: Premium stain-resistant fabric and leather  
Optional: B1 certified fire retardancy

## Technical Details

Foam Density : 30 DNS  
Foam Thickness : 30mm  
Leather Thickness : 1 mm (+-0,5)  
gr/m2 550 (+-20)  
Load Capacity : 160  
Weight : 6.95 kg

## Dimension



## Leather



## Patterned Leather



## Velvet



# ares

Ares combines fine metal lines with elegant details, adding a modern touch to any space. Its ergonomic design ensures comfort, while durable materials make it ideal for restaurants, cafés, and hotels. A perfect blend of aesthetics and functionality.



## Material

Metal Frame: Electrostatic powder-coated  
Backrest: Plywood  
Upholstery: Premium stain-resistant fabric and leather  
Optional: B1 certified fire retardancy

## Technical Details

Foam Density : 30 DNS  
Foam Thickness : 50mm  
Leather Thickness : 1 mm (+-0,5)  
gr/m2 550 (+-20)  
Load Capacity : 160 kg  
Weight : 6.50 kg

## Dimension



## Leather



## Patterned Leather



## Velvet



# v a l i

The Vali chair is a smart, space-saving solution with an armless design—ideal for busy cafés, restaurants, lounges, and waiting areas. Combining functionality, comfort, and efficiency, it's a versatile choice for gastronomy and commercial spaces.



## Material

Metal Frame: Electrostatic powder-coated  
Backrest: Polyurethane  
Upholstery: Premium stain-resistant fabric and leather  
Optional: B1 certified fire retardancy

## Technical Details

Foam Density : 32 DNS  
Foam Thickness : 70mm  
Leather Thickness : 1 mm (+-0,5)  
gr/m2 550 (+-20)  
Load Capacity : 140 kg  
Weight : 6.40 kg

## Dimension



## Leather



## Patterned Leather



## Velvet



# apollo

Designed for performance, built for style — this chair is a proven favourite in the gastronomy world. From busy cafés to high-volume restaurants and hotel dining areas, it stands out as one of the most chosen seating solutions thanks to its durability, comfort and refined design.



## Material

Metal Frame: Electrostatic powder-coated  
Backrest: Plywood  
Upholstery: Premium stain-resistant fabric and leather  
Optional: B1 certified fire retardancy

## Technical Details

Foam Density : 30DNS  
Foam Thickness : 50mm  
Leather Thickness : 1 mm (+-0,5)  
gr/m2 550 (+-20)  
Load Capacity : 140 kg  
Weight : 7.25 kg

## Dimension



## Leather



## Patterned Leather



## Velvet



# L i s a

An evolution of our bestseller, combining timeless elegance with exceptional comfort. Featuring a high-quality wooden frame and premium faux leather, it offers durability and refined craftsmanship.

Ideal for upscale restaurants, cafés, and bars.



## Material

Frame: A Grade Beechwood  
Coating: Water-based, low-VOC, health and eco-friendly paint  
Upholstery: Premium stain-resistant fabric and leather  
Optional: B1 certified fire retardancy

## Technical Details

Foam Density : 30 DNS  
Foam Thickness : 30mm  
Leather Thickness : 1 mm (+-0,5)  
gr/m2 550 (+-20)  
Load Capacity : 140kg  
Weight : 7.20 kg

## Dimension



## Leather



## Patterned Leather



## Velvet



# thonet

An iconic design reimaged with a durable metal frame, combining timeless elegance with modern practicality. The crafted seat adds comfort and visual appeal. A favorite in cafés, restaurants, hotels, and stylish interiors, Thonet represents quality, tradition, and lasting design.



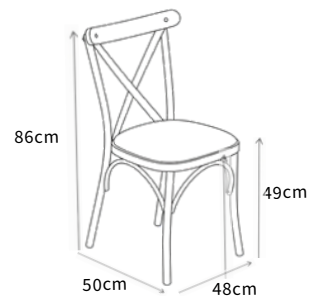
## Material

Metal Frame: Electrostatic powder-coated Backrest and X: Solid beechwood Upholstery: Premium stain-resistant fabric and leather Optional: B1 certified fire retardancy

## Technical Details

Foam Density : 30 DNS  
Foam Thickness : 30mm  
Leather Thickness : 1 mm (+-0,5)  
gr/m2 550 (+-20)  
Load Capacity : 140 kg  
Weight : 6.25 kg

## Dimension



## Leather



## Patterned Leather



## Velvet



# BAR CHAIRS

Elegant, stylish, and modern, these bar stools impress with both their sophisticated appearance and exceptional comfort. The combination of wooden and metal legs, along with a dynamic design, gives each stool a chic, contemporary look that fits seamlessly into a variety of interiors. The ergonomically shaped backrest and high-quality seat upholstery ensure a comfortable, body-hugging sitting experience every time.



# Ülgen

The Ülgen bar chair combines modern elegance with exceptional comfort. Its refined design and high-quality upholstery create a sophisticated look. Built for professional use, it offers durability and lasting comfort—ideal for bars, restaurants, and hotels.



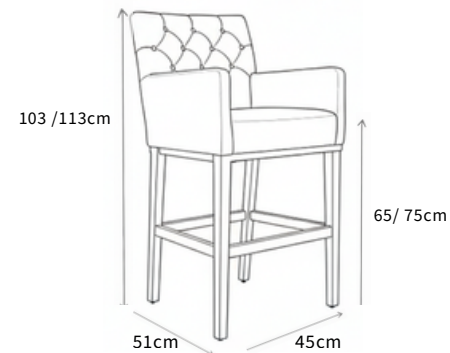
## Material

Frame: A Grade Beechwood  
Coating: Water-based, low-VOC, health and eco-friendly paint  
Upholstery: Premium stain-resistant fabric and leather  
Optional: B1 certified fire retardancy

## Technical Details

Foam Density : 30 DNS  
Foam Thickness : 70mm  
Leather Thickness : 1 mm (+-0,5)  
gr/m2 550 (+-20)  
Load Capacity : 160 kg  
Weight : 12 kg

## Dimension



## Leather



## Patterned Leather



## Velvet



# v e r a

Warm, relaxing, and inviting in its elegant design, Vera Bar brings a welcoming atmosphere to any space. As a top seller in the gastronomy sector, it combines refined aesthetics with outstanding comfort, making it a preferred choice for stylish hospitality environments.



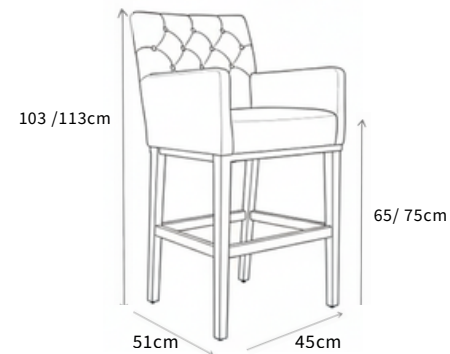
## Material

Frame: A Grade Beechwood  
Coating: Water-based, low-VOC, health and eco-friendly paint  
Upholstery: Premium stain-resistant fabric and leather  
Optional: B1 certified fire retardancy

## Technical Details

Foam Density : 30 DNS  
Foam Thickness : 70mm  
Leather Thickness : 1 mm (+-0,5)  
gr/m2 550 (+-20)  
Load Capacity : 160 kg  
Weight : 12kg

## Dimension



## Leather



## Patterned Leather



## Velvet



# tengri

Tengri Bar features a distinctive design with elegant arm details that enhance both comfort and visual appeal. Ideal for gastronomy spaces, it offers exceptional comfort and refined style for a premium seating experience.



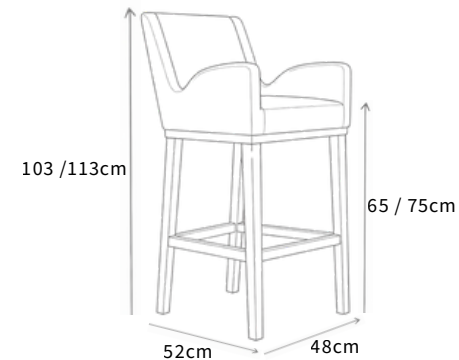
## Material

Frame: A Grade Beechwood  
Coating: Water-based, low-VOC, health and eco-friendly paint  
Upholstery: Premium stain-resistant fabric and leather  
Optional: B1 certified fire retardancy

## Technical Details

Foam Density : 32 DNS  
Foam Thickness : 70mm  
Leather Thickness :1 mm (+-0,5)  
gr/m2 550 (+-20)  
Load Capacity : 160 kg  
Weight : 15 kg

## Dimension



## Leather



## Patterned Leather



## Velvet



# l o k i b a r

The natural beauty of solid hardwood combines with elegant black accents to create a modern bar chair suited for any space. A variety of fabric options allows it to match different interiors and personal preferences with ease.



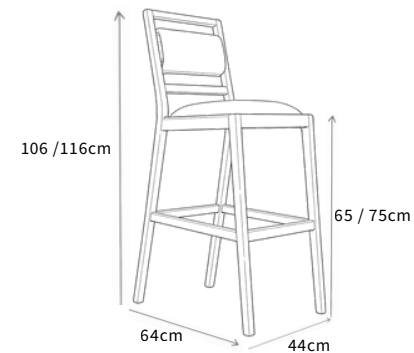
## Material

Frame: A Grade Beechwood  
Coating: Water-based, low-VOC, health and eco-friendly paint  
Upholstery: Premium stain-resistant fabric and leather  
Optional: B1 certified fire retardancy

## Technical Details

Foam Density : 30 DNS  
Foam Thickness : 50mm  
Leather Thickness : 1 mm (+-0,5) gr/m2 550 (+-20)  
Load Capacity : 160 kg  
Weight : 10 kg

## Dimension



## Leather



## Patterned Leather



## Velvet



# h a d e s

With its strong presence and clean lines, Hades Bar brings modern elegance to any space. Its robust construction ensures durability—ideal for sophisticated gastronomy and hospitality environments.



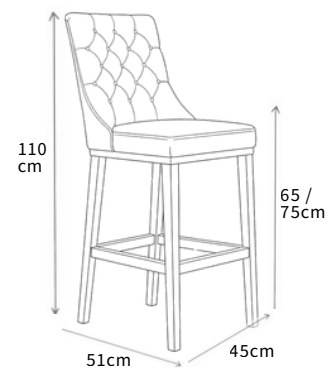
## Material

Frame: A Grade Beechwood  
Coating: Water-based, low-VOC, health and eco-friendly paint  
Upholstery: Premium stain-resistant fabric and leather  
Optional: B1 certified fire retardancy

## Technical Details

Foam Density : 30 DNS  
Foam Thickness : 50mm  
Leather Thickness : 1 mm (+-0,5)  
gr/m2 550 (+-20)  
Load Capacity : 160 kg  
Weight : 12 Kg

## Dimension



## Leather



## Patterned Leather



## Velvet



# i d u n

The Idun metal bar chair combines modern style with refined craftsmanship. Upholstered in high-quality leather, fabric, or corduroy, it offers a distinctive and elegant look. Its metal structure ensures durability, making it ideal for both modern and classic interiors.



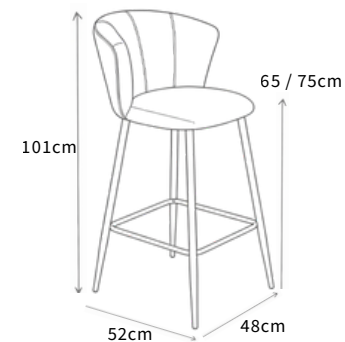
## Material

Metal Frame: Electrostatic powder-coated  
Backrest: Plywood  
Upholstery: Premium stain-resistant fabric and leather  
Optional: B1 certified fire retardancy

## Technical Details

Foam Density : 30 DNS  
Foam Thickness : 50mm  
Leather Thickness : 1 mm (+-0,5)  
gr/m2 550 (+-20)  
Load Capacity : 160 kg  
Weight : 9 kg

## Dimension



## Leather



## Patterned Leather



## Velvet



# h e l l a

Customizable with a wood-look metal frame, Hella Bar combines the warmth of wood with the durability of metal. Available in a wide range of leather and velvet colors, it creates a striking focal point in any bar or gastronomy setting.



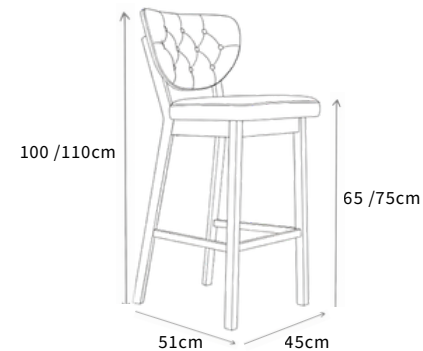
## Material

Metal Frame: Electrostatic powder-coated  
Backrest: Plywood  
Upholstery: Premium stain-resistant fabric and leather  
Optional: B1 certified fire retardancy

## Technical Details

Foam Density : 30 DNS  
Foam Thickness : 50mm  
Leather Thickness : 1 mm (+-0,5)  
gr/m2 550 (+-20)  
Load Capacity : 160 kg  
Weight : 9 kg

## Dimension



## Leather



## Patterned Leather



## Velvet



# g a i a

Gaia Bar embodies distinctive luxury for premium pub and bar interiors. Its sculptural design is defined by a refined blend of premium leather, natural wood, and precision-crafted metal. Created for exclusive spaces, it's a statement piece that reflects character, elegance, and lasting quality.



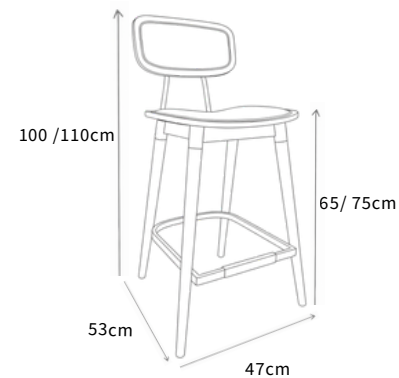
## Material

Metal Frame: Electrostatic powder-coated  
Backrest and Seat: Solid beechwood  
Upholstery: Premium stain-resistant fabric and leather  
Optional: B1 certified fire retardancy

## Technical Details

Foam Density : 30 DNS  
Foam Thickness : 30mm  
Leather Thickness : 1 mm (+-0,5)  
gr/m2 550 (+-20)  
Load Capacity : 160 kg  
Weight : 8,50 kg

## Dimension



## Leather



## Patterned Leather



## Velvet



# l i s a

A top-selling favorite in hospitality, Lisa combines modern elegance with outstanding comfort—ideal for bars and upscale venues. Built for heavy-duty use, it ensures durability and reliable performance over time.



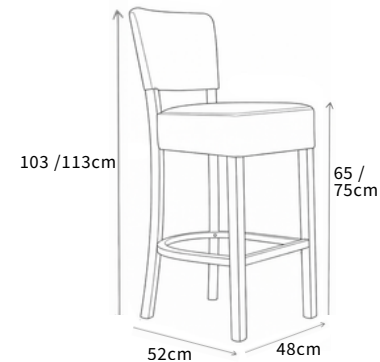
## Material

Frame: A Grade Beechwood  
Coating: Water-based, low-VOC, health and eco-friendly paint  
Upholstery: Premium stain-resistant fabric and leather  
Optional: B1 certified fire retardancy

## Technical Details

Foam Density : 30 DNS  
Foam Thickness : 30mm  
Leather Thickness : 1 mm (+-0,5) gr/m2 550 (+-20)  
Load Capacity : 140 kg  
Weight : 8.75 kg

## Dimension



## Leather



## Patterned Leather



## Velvet



# thonet

The iconic blend of metal and wood makes Thonet Bar both stylish and functional. Ideal for bar and dining areas, it creates a cohesive look and adds a distinctive touch to any gastronomy space.



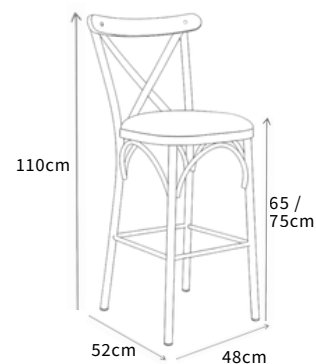
## Material

Metal Frame: Electrostatic powder-coated Backrest and X: Solid beechwood Upholstery: Premium stain-resistant fabric and leather  
Optional: B1 certified fire retardancy

## Technical Details

Foam Density : 30 DNS  
Foam Thickness : 30mm  
Leather Thickness : 1 mm (+-0,5)  
gr/m2 550 (+-20)  
Load Capacity : 160 kg  
Weight : 9 kg

## Dimension



## Leather



## Patterned Leather



## Velvet



ARTISANAL DRINKS

MAKING IS POSSIBLE

CARRIES DO...  
...PLATED...  
...CINNES...  
...and with com...

# P O U F S

With our **\*Cubic seat cubes\***, any space issue is solved in an instant. They can be stored compactly, used flexibly, and are ready whenever needed. Available in various colors and finishes - optionally with a high-quality base plinth in black and Inox - they combine functionality with stylish design and create a welcoming atmosphere.



# V E N U S

Compact, flexible, and ready to use, Cubic seat cubes are a smart solution for any space. Available in various colors and finishes—with optional black or Inox base—they combine functionality with modern style.



FULL



BASE BLACK



BASE INOX

## Leather



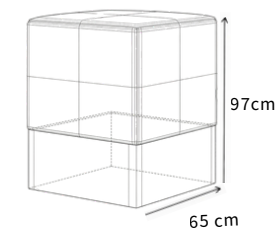
## Material

Frame: Wood  
Premium leather  
B1 certificate / hardly flammable  
Stain resistant luxury velvet

## Technical Details

Foam Density : 30 DNS  
Foam Thickness : 50mm  
Leather Thickness : 1 mm (+-0,5)  
gr/m2 550 (+-20)  
Load Capacity : 140 kg  
Weight : 14 kg

## Dimension



# p o u f

Subtle, space-saving, comfortable, and versatile. When combined with corner elements, it creates flexible seating solutions for modern hospitality and lounge environments.

Durable and ideal for everyday use.



saturn



jupiter

## Leather



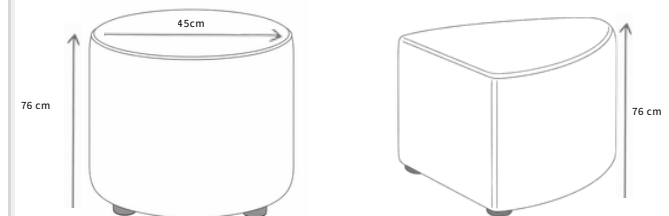
## Material

Frame: Wood  
Premium leather  
B1 certificate / hardly flammable  
Stain resistant luxury velvet

## Technical Details

Foam Density : 30 DNS  
Foam Thickness : 50mm  
Leather Thickness : 1 mm (+-0,5)  
gr/m2 550 (+-20)  
Load Capacity : 140 kg  
Weight : 14 kg

## Dimension



A modern bistro interior featuring round tables and black chairs. The tables have a light-colored top and a black base. The chairs are black with a curved back and armrests. The floor is made of light-colored wood. There are several pendant lights hanging from the ceiling. The background shows a counter area with a potted plant and a window.

# B I S T R O T A B L E S

**Our bistro tables are far more than simple furnishings – they represent quality and style in the hospitality sector. The restaurant tables from Savilva are available in various colors as well as with natural or black edges and, when combined with matching robust table bases, are the ideal choice for operators of restaurants, bars, and cafés. They impress with durable materials, an appealing design, and are specifically engineered to withstand the daily demands of professional hospitality use over the long term.**

# delta | pekin

The bistro tables by Savilva combine stylish design with high durability for professional use. Available in various colors as well as with natural or black edges, they adapt perfectly to any hospitality concept. Paired with robust table bases, they offer long-lasting quality for restaurants, bars, and cafés.



EDGE NATURE



EDGE BLACK

## Materials

Material: Melamine-faced chipboard  
HPL coated  
ABS edges: 1mm (rounded)  
Frame: steel, high-quality powder-coated

## Technical Details

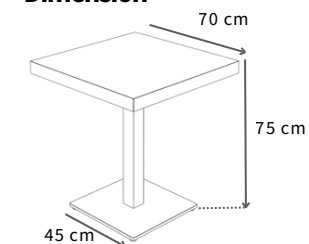
Table top Colour: Pekin  
Thickness: 36 mm  
Suitable for: Indoor use

Base plate: 45x45 cm  
Total height: 75 cm  
Total Weight: 15 kg

## Sizes (Length)

60 x 60 cm 70 x 70 cm 80 x 80 cm

## Dimension



# delta | walnut

The bistro tables by Savilva combine stylish design with high durability for professional use. Available in various colors as well as with natural or black edges, they adapt perfectly to any hospitality concept. Paired with robust table bases, they offer long-lasting quality for restaurants, bars, and cafés.



EDGE NATURE



EDGE BLACK

## Materials

Material: Melamine-faced chipboard  
HPL coated  
ABS edges: 1mm (rounded)  
Frame: steel, high-quality powder-coated

## Technical Details

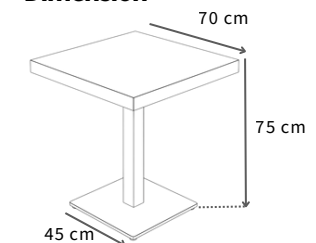
Table top Colour: Walnut  
Thickness: 36 mm  
Suitable for: Indoor use

Base plate: 45x45 cm  
Total height: 75 cm  
Total Weight: 15 kg

## Sizes (Length)

60 x 60 cm   70 x 70 cm   80 x 80 cm

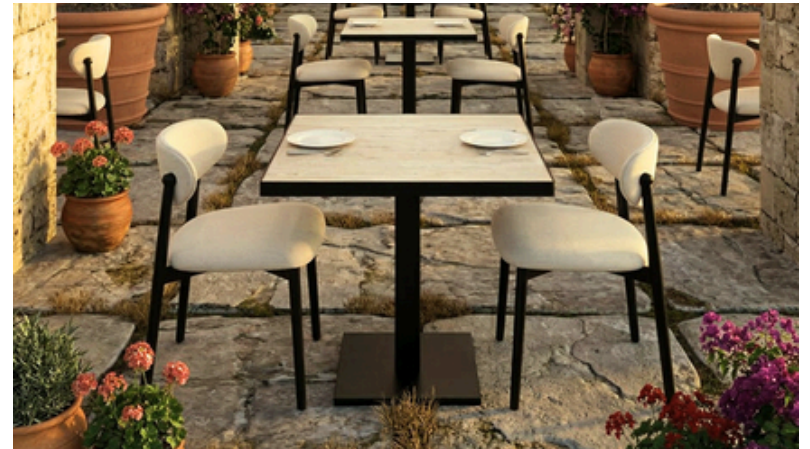
## Dimension



# delta | travertine

The bistro tables by Savilva combine stylish design with high durability for professional use. Available in various colors as well as with natural or black edges, they adapt perfectly to any hospitality concept.

Paired with robust table bases, they offer long-lasting quality for restaurants, bars, and cafés.



EDGE NATURE



EDGE BLACK

## Materials

Material: Melamine-faced chipboard  
HPL coated  
ABS edges: 1mm (rounded)  
Frame: steel, high-quality powder-coated

## Technical Details

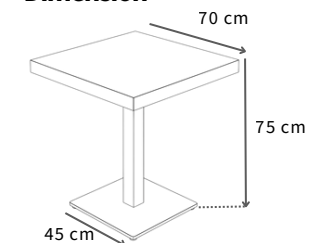
Table top Colour: Travertine  
Thickness: 36 mm  
Suitable for: Indoor use

Base plate: 45x45 cm  
Total height: 75 cm  
Total Weight: 15 kg

## Sizes (Length)

60 x 60 cm 70 x 70 cm 80 x 80 cm

## Dimension



# delta | anthracite

The bistro tables by Savilva combine stylish design with high durability for professional use. Available in various colors as well as with natural or black edges, they adapt perfectly to any hospitality concept. Paired with robust table bases, they offer long-lasting quality for restaurants, bars, and cafés.



EDGE NATURE



EDGE BLACK

## Materials

Material: Melamine-faced chipboard  
HPL coated  
ABS edges: 1mm (rounded)  
Frame: steel, high-quality powder-coated

## Technical Details

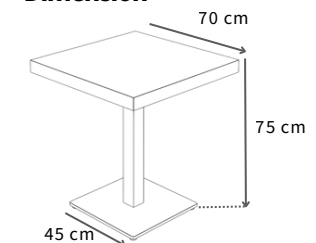
Table top Colour: Anthracite  
Thickness: 36 mm  
Suitable for: Indoor use

Base plate: 45x45 cm  
Total height: 75 cm  
Total Weight: 15 kg

## Sizes (Length)

60 x 60 cm 70 x 70 cm 80 x 80 cm

## Dimension



# delta | black-white

The bistro tables by Savilva combine stylish design with high durability for professional use. Available in various colors as well as with natural or black edges, they adapt perfectly to any hospitality concept. Paired with robust table bases, they offer long-lasting quality for restaurants, bars, and cafés.



EDGE BLACK



EDGE WHITE

## Materials

Material: Melamine-faced chipboard  
HPL coated  
ABS edges: 1mm (rounded)  
Frame: steel, high-quality powder-coated

## Technical Details

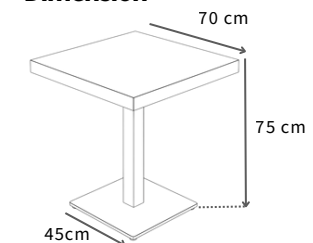
Table top Colour: Black-White  
Thickness: 36 mm  
Suitable for: Indoor use

Base plate: 45x45 cm  
Total height: 75 cm  
Total Weight: 15 kg

## Sizes (Length)

60 x 60 cm 70 x 70 cm 80 x 80 cm

## Dimension



# delta | marble white

The bistro tables by Savilva combine stylish design with high durability for professional use. Available in various colors as well as with natural or black edges, they adapt perfectly to any hospitality concept. Paired with robust table bases, they offer long-lasting quality for restaurants, bars, and cafés.



EDGE NATURE



EDGE BLACK

## Materials

Material: Melamine-faced chipboard  
HPL coated  
ABS edges: 1mm (rounded)  
Frame: steel, high-quality powder-coated

## Technical Details

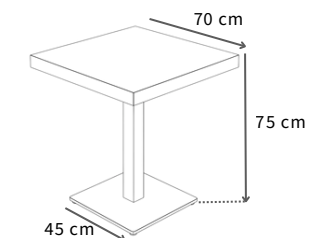
Table top Colour: Marble White  
Thickness: 36 mm  
Suitable for: Indoor use

Base plate: 45x45 cm  
Total height: 75 cm  
Total Weight: 15 kg

## Sizes (Length)

60 x 60 cm 70 x 70 cm 80 x 80 cm

## Dimension



# delta | marble black

The bistro tables by Savilva combine stylish design with high durability for professional use. Available in various colors as well as with natural or black edges, they adapt perfectly to any hospitality concept. Paired with robust table bases, they offer long-lasting quality for restaurants, bars, and cafés.



EDGE NATURE



EDGE BLACK

## Materials

Material: Melamine-faced chipboard  
HPL coated  
ABS edges: 1mm (rounded)  
Frame: steel, high-quality powder-coated

## Technical Details

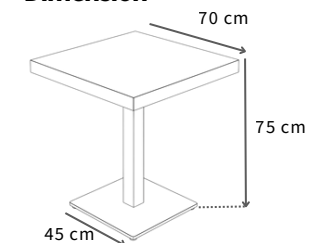
Table top Colour: Marble Black  
Thickness: 36 mm  
Suitable for: Indoor use

Base plate: 45x45 cm  
Total height: 75 cm  
Total Weight: 15 kg

## Sizes (Length)

60 x 60 cm 70 x 70 cm 80 x 80 cm

## Dimension



# delta | pekin

The bistro tables by Savilva combine stylish design with high durability for professional use. Available in various colors as well as with natural or black edges, they adapt perfectly to any hospitality concept.

Paired with robust table bases, they offer long-lasting quality for restaurants, bars, and cafés.



EDGE NATURE



EDGE BLACK

## Materials

Material: Melamine-faced chipboard  
HPL coated  
ABS edges: 1mm (rounded)  
Frame: steel, high-quality powder-coated

## Technical Details

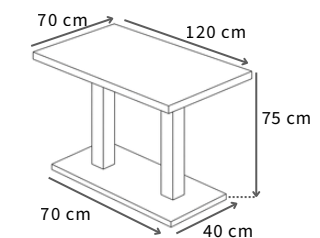
Table top Colour: Pekin  
Thickness: 36 mm  
Suitable for: Indoor use

Base plate: 40x70 cm  
Total height: 75 cm  
Total Weight: 14 kg

## Sizes (Length)

120 x 70 cm    130 x 80 cm

## Dimension



# delta | walnut

The bistro tables by Savilva combine stylish design with high durability for professional use. Available in various colors as well as with natural or black edges, they adapt perfectly to any hospitality concept. Paired with robust table bases, they offer long-lasting quality for restaurants, bars, and cafés.



EDGE NATURE



EDGE BLACK

## Materials

Material: Melamine-faced chipboard  
HPL coated  
ABS edges: 1mm (rounded)  
Frame: steel, high-quality powder-coated

## Technical Details

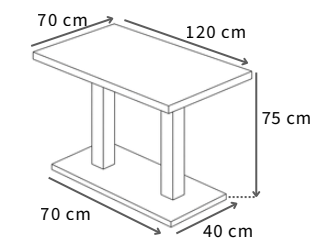
Table top Colour: Walnut  
Thickness: 36 mm  
Suitable for: Indoor use

Base plate: 40x70 cm  
Total height: 75 cm  
Total Weight: 14 kg

## Sizes (Length)

120 x 70 cm    130 x 80 cm

## Dimension



# delta | travertine

The bistro tables by Savilva combine stylish design with high durability for professional use. Available in various colors as well as with natural or black edges, they adapt perfectly to any hospitality concept. Paired with robust table bases, they offer long-lasting quality for restaurants, bars, and cafés.



EDGE NATURE



EDGE BLACK

## Materials

Material: Melamine-faced chipboard  
HPL coated  
ABS edges: 1mm (rounded)  
Frame: steel, high-quality powder-coated

## Technical Details

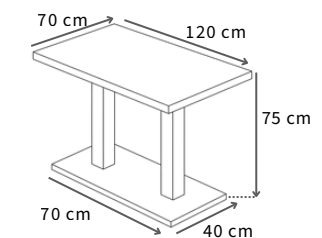
Table top Colour: Travertine  
Thickness: 36 mm  
Suitable for: Indoor use

Base plate: 40x70 cm  
Total height: 75 cm  
Total Weight: 14 kg

## Sizes (Length)

120 x 70 cm    130 x 80 cm

## Dimension



# delta | anthracite

The bistro tables by Savilva combine stylish design with high durability for professional use. Available in various colors as well as with natural or black edges, they adapt perfectly to any hospitality concept. Paired with robust table bases, they offer long-lasting quality for restaurants, bars, and cafés.



EDGE NATURE



EDGE BLACK

## Materials

Material: Melamine-faced chipboard  
HPL coated  
ABS edges: 1mm (rounded)  
Frame: steel, high-quality powder-coated

## Technical Details

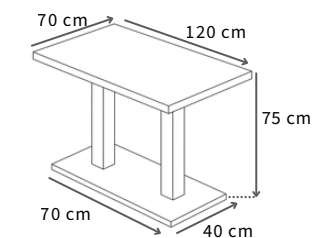
Table top Colour: Anthracite  
Thickness: 36 mm  
Suitable for: Indoor use

Base plate: 40x70 cm  
Total height: 75 cm  
Total Weight: 14 kg

## Sizes (Length)

120 x 70 cm 130 x 80 cm

## Dimension



# delta | marble black

The bistro tables by Savilva combine stylish design with high durability for professional use. Available in various colors as well as with natural or black edges, they adapt perfectly to any hospitality concept. Paired with robust table bases, they offer long-lasting quality for restaurants, bars, and cafés.



EDGE NATURE



EDGE BLACK

## Materials

Material: Melamine-faced chipboard  
HPL coated  
ABS edges: 1mm (rounded)  
Frame: steel, high-quality powder-coated

## Technical Details

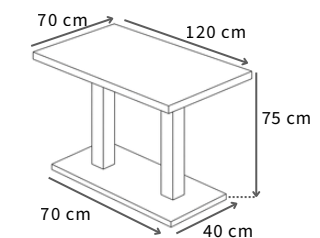
Table top Colour: Marble Black  
Thickness: 36 mm  
Suitable for: Indoor use

Base plate: 40x70 cm  
Total height: 75 cm  
Total Weight: 14 kg

## Sizes (Length)

120 x 70 cm 130 x 80 cm

## Dimension



# delta | marble white

The bistro tables by Savilva combine stylish design with high durability for professional use. Available in various colors as well as with natural or black edges, they adapt perfectly to any hospitality concept. Paired with robust table bases, they offer long-lasting quality for restaurants, bars, and cafés.



EDGE NATURE



EDGE BLACK

## Materials

Material: Melamine-faced chipboard  
HPL coated  
ABS edges: 1mm (rounded)  
Frame: steel, high-quality powder-coated

## Technical Details

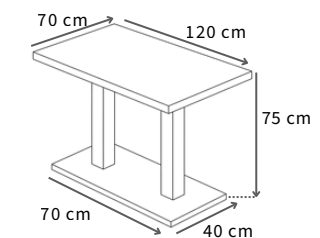
Table top Colour: Marble White  
Thickness: 36 mm  
Suitable for: Indoor use

Base plate: 40x70 cm  
Total height: 75 cm  
Total Weight: 14 kg

## Sizes (Length)

120 x 70 cm    130 x 80 cm

## Dimension



# delta | black-white

The bistro tables by Savilva combine stylish design with high durability for professional use. Available in various colors as well as with natural or black edges, they adapt perfectly to any hospitality concept. Paired with robust table bases, they offer long-lasting quality for restaurants, bars, and cafés.



EDGE BLACK



EDGE WHITE

## Materials

Material: Melamine-faced chipboard  
HPL coated  
ABS edges: 1mm (rounded)  
Frame: steel, high-quality powder-coated

## Technical Details

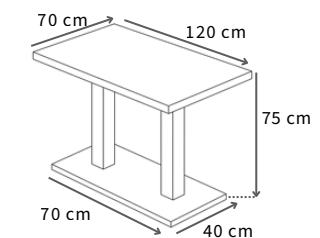
Table top Colour: Black-White  
Thickness: 36 mm  
Suitable for: Indoor use

Base plate: 40x70 cm  
Total height: 75 cm  
Total Weight: 14 kg

## Sizes (Length)

120 x 70 cm 130 x 80 cm

## Dimension



# theta | pekin

The bistro tables by Savilva combine stylish design with high durability for professional use. Available in various colors as well as with natural or black edges, they adapt perfectly to any hospitality concept. Paired with robust table bases, they offer long-lasting quality for restaurants, bars, and cafés.



EDGE NATURE



EDGE BLACK

## Materials

Material: Melamine-faced chipboard  
HPL coated  
ABS edges: 1mm (rounded)  
Frame: steel, high-quality powder-coated

## Technical Details

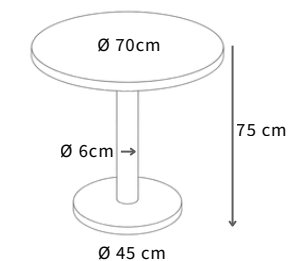
Table top Colour: Pekin  
Thickness: 36 mm  
Suitable for: Indoor use

Base plate: 45 cm  
Total height: 75 cm  
Total Weight: 14 kg

## Sizes (Length)

Ø 60cm    Ø 70cm    Ø 80cm

## Dimension



# t h e t a | w a l n u t

The bistro tables by Savilva combine stylish design with high durability for professional use. Available in various colors as well as with natural or black edges, they adapt perfectly to any hospitality concept. Paired with robust table bases, they offer long-lasting quality for restaurants, bars, and cafés.



EDGE NATURE



EDGE BLACK

## Materials

Material: Melamine-faced chipboard  
HPL coated  
ABS edges: 1mm (rounded)  
Frame: steel, high-quality powder-coated

## Technical Details

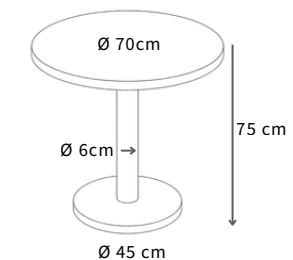
Table top Colour: Walnut  
Thickness: 36 mm  
Suitable for: Indoor use

Base plate: 45 cm  
Total height: 75 cm  
Total Weight: 14 kg

## Sizes (Length)

Ø 60cm    Ø 70cm    Ø 80cm

## Dimension



# t h e t a | t r a v e r t i n e

The bistro tables by Savilva combine stylish design with high durability for professional use. Available in various colors as well as with natural or black edges, they adapt perfectly to any hospitality concept. Paired with robust table bases, they offer long-lasting quality for restaurants, bars, and cafés.



EDGE NATURE



EDGE BLACK

## Materials

Material: Melamine-faced chipboard  
HPL coated  
ABS edges: 1mm (rounded)  
Frame: steel, high-quality powder-coated

## Technical Details

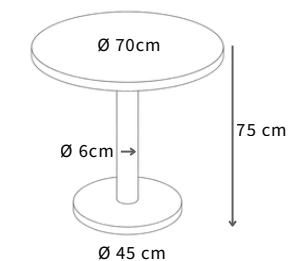
Table top Colour: Travertine  
Thickness: 36 mm  
Suitable for: Indoor use

Base plate: 45 cm  
Total height: 75 cm  
Total Weight: 14 kg

## Sizes (Length)

Ø 60cm    Ø 70cm    Ø 80cm

## Dimension



# theta | anthracite

The bistro tables by Savilva combine stylish design with high durability for professional use. Available in various colors as well as with natural or black edges, they adapt perfectly to any hospitality concept. Paired with robust table bases, they offer long-lasting quality for restaurants, bars, and cafés.



EDGE NATURE



EDGE BLACK

## Materials

Material: Melamine-faced chipboard  
HPL coated  
ABS edges: 1mm (rounded)  
Frame: steel, high-quality powder-coated

## Technical Details

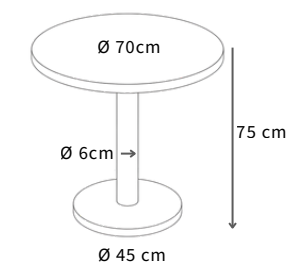
Table top Colour: Anthracite  
Thickness: 36 mm  
Suitable for: Indoor use

Base plate: 45 cm  
Total height: 75 cm  
Total Weight: 14 kg

## Sizes (Length)

Ø 60cm    Ø 70cm    Ø 80cm

## Dimension



# t h e t a | m a r b l e b l a c k

The bistro tables by Savilva combine stylish design with high durability for professional use. Available in various colors as well as with natural or black edges, they adapt perfectly to any hospitality concept. Paired with robust table bases, they offer long-lasting quality for restaurants, bars, and cafés.



EDGE NATURE



EDGE BLACK

## Materials

Material: Melamine-faced chipboard  
HPL coated  
ABS edges: 1mm (rounded)  
Frame: steel, high-quality powder-coated

## Technical Details

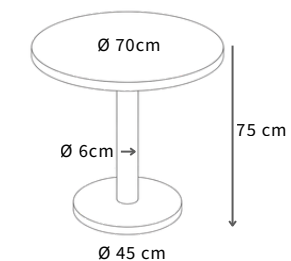
Table top Colour: Marble Black  
Thickness: 36 mm  
Suitable for: Indoor use

Base plate: 45 cm  
Total height: 75 cm  
Total Weight: 14 kg

## Sizes (Length)

Ø 60cm    Ø 70cm    Ø 80cm

## Dimension



# theta | marble white

The bistro tables by Savilva combine stylish design with high durability for professional use. Available in various colors as well as with natural or black edges, they adapt perfectly to any hospitality concept. Paired with robust table bases, they offer long-lasting quality for restaurants, bars, and cafés.



EDGE NATURE



EDGE BLACK

## Materials

Material: Melamine-faced chipboard  
HPL coated  
ABS edges: 1mm (rounded)  
Frame: steel, high-quality powder-coated

## Technical Details

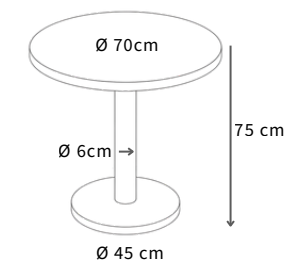
Table top Colour: Marble White  
Thickness: 36 mm  
Suitable for: Indoor use

Base plate: 45 cm  
Total height: 75 cm  
Total Weight: 14 kg

## Sizes (Length)

Ø 60cm    Ø 70cm    Ø 80cm

## Dimension



# theta | black-white

The bistro tables by Savilva combine stylish design with high durability for professional use. Available in various colors as well as with natural or black edges, they adapt perfectly to any hospitality concept. Paired with robust table bases, they offer long-lasting quality for restaurants, bars, and cafés.



EDGE NATURE



EDGE BLACK

## Materials

Material: Melamine-faced chipboard  
HPL coated  
ABS edges: 1mm (rounded)  
Frame: steel, high-quality powder-coated

## Technical Details

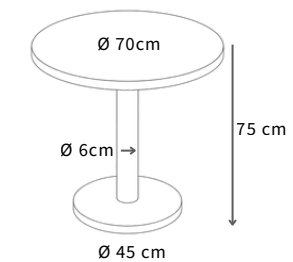
Table top Colour: Black-White  
Thickness: 36 mm  
Suitable for: Indoor use

Base plate: 45 cm  
Total height: 75 cm  
Total Weight: 14 kg

## Sizes (Length)

Ø 60cm Ø 70cm Ø 80cm

## Dimension



# T A B L E   B A S E

**Our metal table bases combine maximum durability with a modern, timeless design. Built for professional use in restaurants, cafés, bars, and hotels, they feature robust construction and a long-lasting powder-coated finish.**

**High-quality steel ensures excellent stability and load capacity, even with intensive daily use. Available in various designs, colors, and sizes, they pair seamlessly with different tabletops to suit any interior.**



# Tuna

The Tuna bistro table frame combines elegant design with durable steel construction. Its slim column and stable base ensure reliability, while the powder-coated finish provides corrosion resistance and a refined look—ideal for cafés, bistros, and restaurants.



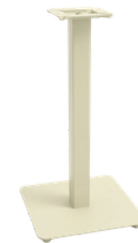
**White**



**Beige**



**Ivory**



**Copper**



**Gold**



**Anthracite**



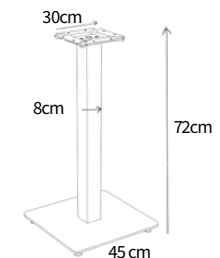
## Material

Premium all-metal construction  
High-quality electrostatic powder coating  
Durable and long-lasting structure

## Technical Details

Total Height: 72 cm  
Base Plate: 45 × 45 cm (8 mm thickness – 8.2 kg)  
Top Mounting Plate: 30 × 30 cm (2.5 mm thickness)  
Profile Dimension: 80 × 80 × 2 mm  
Total Weight: 11.35 kg

## Dimension



# A y a z

Crafted from high-quality, powder-coated steel, the Ayaz table frame combines refined aesthetics with exceptional strength. Its solid construction ensures durability and stability, while the corrosion-resistant finish adds a modern, elegant touch—ideal for professional hospitality use.



**White**



**Beige**



**Ivory**



**Copper**



**Gold**



**Anthracite**



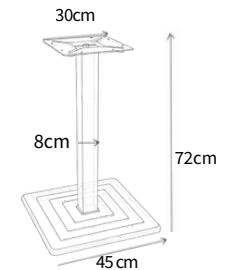
## Material

Premium all-metal construction  
High-quality electrostatic powder coating  
Durable and long-lasting structure

## Technical Details

Total Height: 72 cm  
Base Plate: 45 × 45 cm (6 mm thickness – 5.6 kg)  
Top Mounting Plate: 30 × 30 cm (2.5 mm thickness)  
Profile Dimension: 80 × 80 × 2 mm  
Total Weight: 9.75 kg

## Dimension



# M e f t u n

The Meftun restaurant table frame combines refined design with smart functionality. Its black powder-coated finish adds timeless elegance, while the round, decorative base brings a subtle touch of exclusivity. With integrated floor-leveling screws, it ensures stability and balance—even on uneven surfaces.



**White**



**Beige**



**Ivory**



**Copper**



**Gold**



**Anthracite**



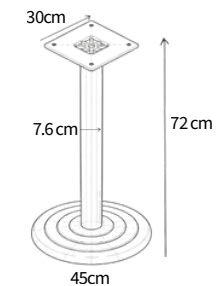
## Material

Premium all-metal construction  
High-quality electrostatic powder coating  
Durable and long-lasting structure

## Technical Details

Total Height: 72 cm  
Base Plate: Ø 45 cm (6 mm thickness - 5.25 kg)  
Top Mounting Plate: 30 × 30 cm (2.5 mm thickness)  
Profile Dimension: Ø 7.6 cm × 1.5 mm  
Total Weight: 8 kg

## Dimension



# Altay

The Altay bistro table frame combines timeless design with durable steel construction. Its refined silhouette and powder-coated finish ensure stability and lasting performance—ideal for hospitality spaces.



**White**



**Beige**



**Ivory**



**Copper**



**Gold**



**Anthracite**



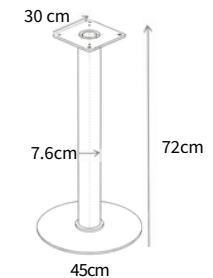
## Material

Premium all-metal construction  
High-quality electrostatic powder coating  
Durable and long-lasting structure

## Technical Details

Total Height: 72 cm  
Base Plate: Ø 45cm (8 mm thickness - 6.5 kg)  
Top Mounting Plate: 30x 30 cm (2.5 mm thickness)  
Profile Dimension: Ø 7.6 cm x 1.5 mm  
Total Weight: 10.25 kg

## Dimension



# B ü g e

A top-selling choice, this bistro table base combines modern design with durable powder-coated steel. Its elegant oval base ensures stability, while its corrosion-resistant finish guarantees long-lasting performance—ideal for restaurants, cafés, bars, and outdoor use.



**White**



**Beige**



**Ivory**



**Copper**



**Gold**



**Anthracite**



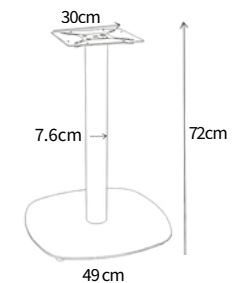
## Material

Premium all-metal construction  
High-quality electrostatic powder coating  
Durable and long-lasting structure

## Technical Details

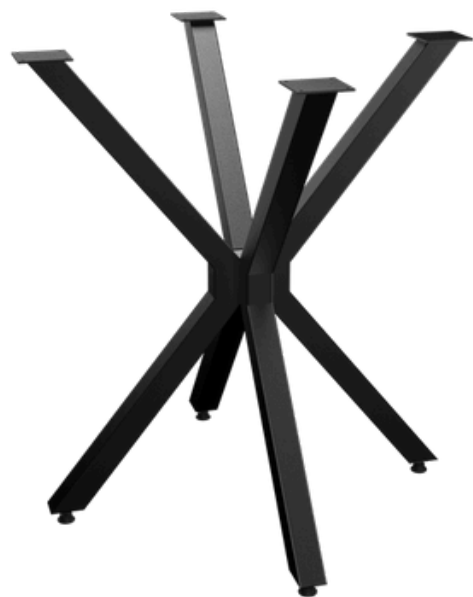
Total Height: 72 cm  
Base Plate: 49 × 49 cm (8 mm thickness – 10.35 kg)  
Top Mounting Plate: 30 × 30 cm (2.5 mm thickness)  
Profile Dimension: Ø 76 × 1.5 mm  
Total Weight: 13.15 kg

## Dimension

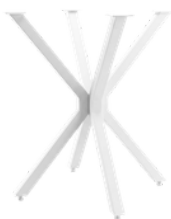


# A h t a p o t

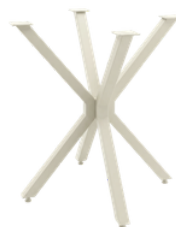
A modern star-shaped metal table base designed for maximum stability. Its multi-leg design ensures excellent balance—ideal for restaurants, cafés, and commercial spaces. Made from durable, powder-coated steel, it offers long-lasting performance, while adjustable feet ensure perfect leveling.



**White**



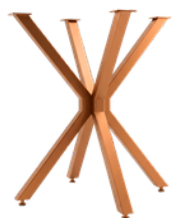
**Beige**



**Ivory**



**Copper**



**Gold**



**Anthracite**



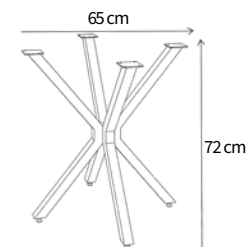
## Material

Premium all-metal construction  
High-quality electrostatic powder coating  
Durable and long-lasting structure

## Technical Details

Total Height: 72 cm  
Base Plate: 3 mm thickness - 5.1 kg  
Top Mounting Area: 65 × 65cm (3 mm thickness)  
Profile Dimension: 40 × 40 × 1.5 mm  
Total Weight: 6.15 kg

## Dimension



# D e r e n

The Deren bistro table frame combines stylish design with durable functionality. Its elegant detailing and powder-coated finish ensure long-lasting performance, making it a striking choice for restaurants, cafés, and bars.



**White**



**Beige**



**Ivory**



**Copper**



**Gold**



**Anthracite**



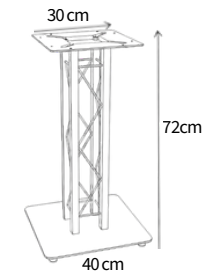
## Material

Premium all-metal construction  
High-quality electrostatic powder coating  
Durable and long-lasting structure

## Technical Details

Total Height: 72 cm  
Base Plate: 40 × 40 cm (3 mm thickness - 5.1 kg)  
Top Mounting Plate: 30 × 30 cm (2 mm thickness)  
Profile Dimension: 25 × 25 × 1.5 mm  
Total Weight : 8.50 kg

## Dimension



# S a m s a

With its attractive design and solid construction, our restaurant table frame appeals to quality-conscious customers. Its elegant appearance combined with practical functionality makes it a must-have for any hospitality business that values premium furniture.



**White**



**Beige**



**Ivory**



**Copper**



**Gold**



**Anthracite**



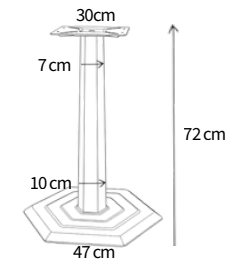
## Material

Premium all-metal construction  
High-quality electrostatic powder coating  
Durable and long-lasting structure

## Technical Details

Total Height: 72 cm  
Base Plate: 45 x 45 cm (6 mm thickness)  
Top Mounting Plate: 30 x 30 cm (2.5 mm thickness)  
Profile Dimension: 10cm x 2 mm  
Total Weight: 8.6 kg

## Dimension



# Esila

The Esila bistro table frame combines modern design with reliable functionality. Its distinctive base ensures stability while adding a stylish touch—ideal for restaurants, cafés, and bistros.



White



Beige



Ivory



Copper



Gold



Anthracite



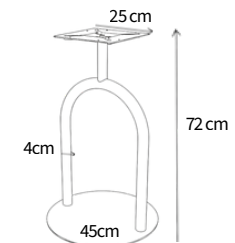
## Material

Premium all-metal construction  
High-quality electrostatic powder coating  
Durable and long-lasting structure

## Technical Details

Total Height: 72 cm  
Base Plate: Ø 45cm (5 mm thickness – 5.1 kg)  
Top Mounting Plate: 25 × 25 cm (2 mm thickness)  
Profile Dimension: Ø 40 × 1.5 mm  
Total Weight: 8.25 kg

## Dimension



# Karaca

The Karaca Bistro table frame stands out with its elegant design and high-quality craftsmanship. Made from robust steel, it brings timeless style to any hospitality setting. Its asymmetrical legs add a modern touch, creating a distinctive focal point. Perfect for restaurants, cafés, or beer gardens, Karaca combines durability with contemporary flair.



**White**



**Beige**



**Ivory**



**Copper**



**Gold**



**Anthracite**



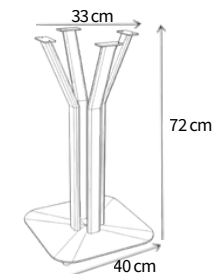
## **Material**

Premium all-metal construction  
High-quality electrostatic powder coating  
Durable and long-lasting structure

## **Technical Details**

Total Height: 72 cm  
Base Plate: 40 × 40 cm (8 mm thickness – 7.1 kg)  
Top Mounting Area: 33 × 33 cm (2 mm thickness)  
Profile Dimension: 25 × 50 × 1.2 mm  
Total Weight: 13.5 kg

## **Dimension**



# K a m a n

The Kaman Bistro table frame combines modern design with outstanding functionality—ideal for any hospitality setting. Its clean, refined look suits restaurants, bars, and cafés alike. With a stable base and versatile design, it offers a reliable foundation for bistro tables, delivering lasting durability with everyday practicality and style.



**White**



**Beige**



**Ivory**



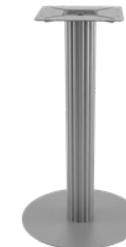
**Copper**



**Gold**



**Anthracite**



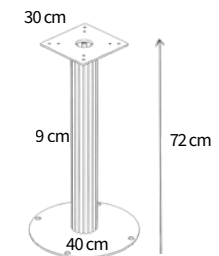
## Material

Premium all-metal construction  
High-quality electrostatic powder coating  
Durable and long-lasting structure

## Technical Details

Total Height: 72 cm  
Base Plate: Ø 45cm (8 mm thickness )  
Top Mounting Plate: 30 × 30 cm (2.5 mm thickness)  
Profile Dimension: Ø 16 mm (15 pcs) Total Ø 9 cm  
Total Weight: 13.7 kg

## Dimension



# A l a c a

The Alaca metal table base features an elegant, aesthetic form combined with exceptional stability. Its well-balanced construction ensures a secure and sturdy stand, making it suitable for both round and square tabletops.



**White**



**Beige**



**Ivory**



**Copper**



**Gold**



**Anthracite**



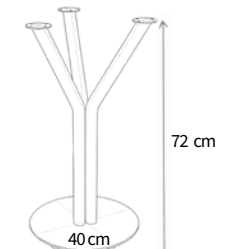
## **Material**

Premium all-metal construction  
High-quality electrostatic powder coating  
Durable and long-lasting structure

## **Technical Details**

Total Height: 72 cm  
Base Plate: 40 × 40 cm (1.5 mm thickness – 7 kg)  
Top Mounting Plate: 60 × 60 × 1.5 mm  
Profile: Ø 7cm (2 mm thickness)  
Total Weight: 8.5 kg

## **Dimension**



# Elçin

The Elcin Bistro table frame combines high-quality craftsmanship with a clean, modern design—ideal for bistros, cafés, restaurants, and hotels. Its stable construction and elegant black finish ensure a reliable foundation for various tabletops. Minimalist yet distinctive, Elcin blends seamlessly into any interior while adding a subtle design statement.



White



Beige



Ivory



Copper



Gold



Anthracite



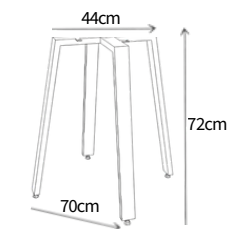
## Material

Premium all-metal construction  
High-quality electrostatic powder coating  
Durable and long-lasting structure

## Technical Details

Total Height: 72 cm  
Base Leg: 70 × 70 cm  
Top Mounting Area: 44 × 44 cm  
Profile Dimension: 30 × 60 × 1.5 mm  
Total Weight: 8.25kg

## Dimension



# Hisar

The Hisar Bistro double table frame in elegant black combines durability with precise craftsmanship. Made from powder-coated steel, it's built for the demands of busy restaurants and cafés. Sturdy columns ensure reliable stability, delivering strength and long-lasting performance in everyday use.



**White**



**Beige**



**Ivory**



**Copper**



**Gold**



**Anthracite**



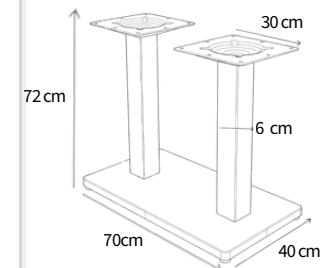
## Material

Premium all-metal construction  
High-quality electrostatic  
powder coating  
Durable and long-lasting  
structure

## Technical Details

Total Height: 72 cm  
Base Leg: 40 x 70 cm (6 mm thickness)  
Top Mounting Plate: 30 x 30 cm (2.5 mm thickness)  
Profile Dimension: 80 x 80 mm x 2mm  
Total Weight: 23 kg

## Dimension



# Punto

These stylish, durable steel frames let you create custom furniture with ease. Their sleek design adds a modern touch to any interior. Made from high-quality square steel profiles, they include floor-protecting caps, mounting screws, and added stability for long-lasting performance.



White



Anthracite



Gold



Copper



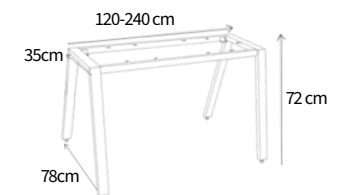
## Material

Premium all-metal construction  
High-quality electrostatic  
powder coating  
Durable and long-lasting  
structure

## Technical Details

Total Height: 72 cm  
Base Leg Depth: 78 cm  
Top Mounting Area: 120 up to 240 × 35 cm  
(2 mm thickness)  
Profile Dimension: 30 × 60 × 1.5 mm  
Total Weight: 15 kg

## Dimension



# R u m i

Add elegance and durability to your space with our powder-coated steel bistro table frame. Combining modern design with reliable stability, it's ideal for restaurants, cafés, and hotels. Built for professional use, it offers a strong foundation and long-lasting performance in busy environments.



**White**



**Beige**



**Ivory**



**Copper**



**Gold**



**Anthracite**



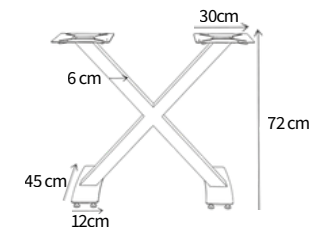
## Material

Premium all-metal construction  
High-quality electrostatic powder coating  
Durable and long-lasting structure

## Technical Details

Total Height: 72 cm  
Base Plate: 45 x 12 cm (5 mm thickness)  
Top Mounting Plate: 30 x 30 cm (2.5mm thickness)  
Profile Dimension: 80 x 80 mm x 2mm  
Total Weight: 16kg

## Dimension



# K a l e

The Kale Bistro double table frame combines durability with a sleek, modern look. Made from powder-coated steel, it provides a strong base for two tabletops. Solid columns ensure stability and long-lasting performance.



**Anthracite**



**Copper**



**Beige**



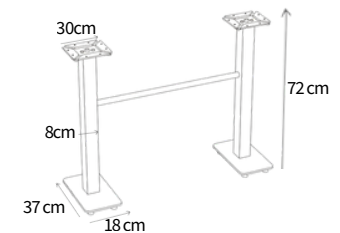
## Material

Premium all-metal construction  
High-quality electrostatic powder coating  
Durable and long-lasting structure

## Technical Details

Total Height: 72 cm  
Base Leg: 18 x 37 cm (5 mm thickness)  
Top Mounting Plate: 30 x 30 cm (2.5 mm thickness)  
Profile Dimension: 80 x 80 mm x 2mm  
Total Weight: 15 kg

## Dimension



# Tuna Bar

Elevate your space with the Tuna Bar table frame—ideal for modern high-top settings. Its sturdy steel construction ensures lasting stability, while the black powder-coated finish adds a sleek, contemporary touch. Perfect for bars, lounges, and cafés, it combines durability with refined design for everyday use.



**White**



**Beige**



**Ivory**



**Copper**



**Gold**



**Anthracite**



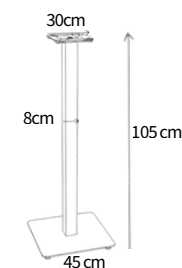
## Material

Premium all-metal construction  
High-quality electrostatic powder coating  
Durable and long-lasting structure

## Technical Details

Total Height: 105 cm  
Base Plate: 45 × 45 cm (45 x 45 cm ( 8mm thickness- 8.2kg)  
Top Mounting Plate: 30 x 30 cm ( 2.5mm thickness)  
Profile Dimension: 60 × 60 × 1.5 mm  
Total Weight: 12.35 kg

## Dimension



# A y a z B a r

Discover the Ayaz Bistro Bar Table Frame—designed for stylish, durable use in bars and high-top settings. At 105 cm height, it's ideal for elevated dining concepts. Made from high-quality, powder-coated steel, it offers strength, stability, and corrosion resistance—perfect for high-traffic environments.



**White**



**Beige**



**Ivory**



**Copper**



**Gold**



**Anthracite**



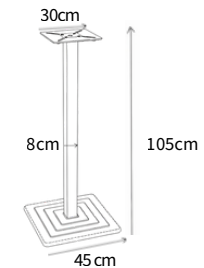
## **Material**

Premium all-metal construction  
High-quality electrostatic powder coating  
Durable and long-lasting structure

## **Technical Details**

Total Height: 105 cm  
Base Plate: 45 × 45 cm (6 mm thickness – 6.1 kg)  
Top Mounting Plate: 30 × 30cm ( 2.5mm thickness)  
Profile Dimension: 80 × 80 mm x 2mm  
Total Weight: 9.25 kg

## **Dimension**



# M e f t u n B a r

The Meftun Bar table frame combines durability with refined style. Made from robust, powder-coated steel, it features a sleek black finish and a decorative round base. Adjustable glides ensure a stable, level stand—ideal for bars, lounges, and high-top cafés.



**White**



**Beige**



**Ivory**



**Copper**



**Gold**



**Anthracite**



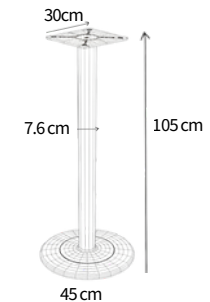
## Material

Premium all-metal construction  
High-quality electrostatic  
powder coating  
Durable and long-lasting  
structure

## Technical Details

Total Height: 105 cm  
Base Plate: Ø 45 cm ( 6mm thickness - 7.25kg)  
Top Mounting Plate: 30 x 30 cm ( 2.5mm  
thickness)  
Profile Dimension: Ø 7,6 cm x 1.5mm  
Total Weight: 10 kg

## Dimension



# Esila Bar

Elevate your space with the Esila Bar table frame. Its bold, modern design combines strong stability with a distinctive look, supporting various tabletop sizes with ease. Built for busy bars, lounges, and cafés, it delivers durability and style—making it a true standout in any setting.



White



Beige



Ivory



Copper



Gold



Anthracite



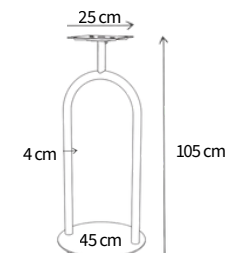
## Material

Premium all-metal construction  
High-quality electrostatic  
powder coating  
Durable and long-lasting  
structure

## Technical Details

Total Height: 105 cm  
Base Plate: Ø 45cm (5 mm thickness –  
5.1 kg)  
Top Mounting Plate: 25 × 25 cm (2 mm  
thickness)  
Profile Dimension: Ø 40 × 1.5 mm  
Total Weight: 8.25 kg

## Dimension



# CONSCIOUS PRODUCTION APPROACH



## We Draw Our Power From Nature

We produce a large portion of the electricity used in our production facilities ourselves using solar panels



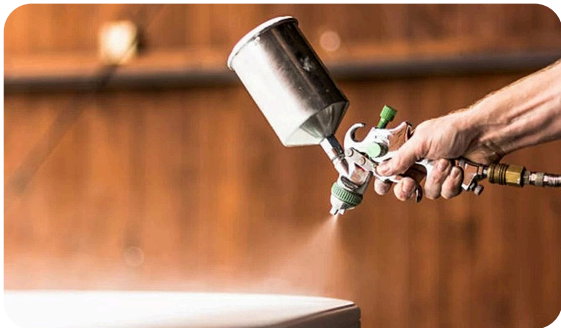
## We Use Certified Wood

Every piece of wood used in our furniture comes from sustainably certified forests grown for industrial purposes (FSC certified).



## We Adopt the Zero Waste Principle

We contribute back to the economy by converting sawdust and wood scraps generated during the production process into pellet fuel.



## Health in Your Living Spaces

We protect indoor air quality by choosing eco-friendly water-based paints and varnishes that do not contain heavy metals in our furniture.



## We Transform for the Future

We minimize natural resource consumption by using recyclable metal, textile, and packaging materials in our production processes.



## A Sustainable Future

We reject the 'disposable' mindset and offer a long-lasting user experience through high-quality materials and robust craftsmanship.



Phone +90 332 717 00 03



Mobile / WhatsApp +90 535 783 9593



info@savilva.com



www.savilva.com



Kargacı Mh. 95925. Sk. A-Blok No: 7  
Ereğli / Konya / Türkiye

**SAVILVA**