

# SAVILVA

OUTDOOR COLLECTION  
2026



*Collection '26*  
**SAVILVA**

*C*ONTENTS

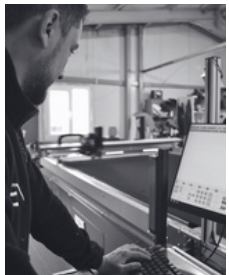
_____	SEATING SETS
_____	CHAIR
_____	BAR CHAIR
_____	TABLE BASE
_____	TABLE TOP

# ABOUT US

Founded in the Netherlands in 1997, SAVILVA began its journey as a family-owned business specializing in the production of sofa legs. Built on the core values of quality, design excellence, and sustainable production, the company quickly established itself as a trusted partner within the European furniture industry.

In 2002, SAVILVA relocated its production facilities to Türkiye. Since then, we have expanded our portfolio to include the in-house design and manufacturing of dining tables, chairs, sofas, and complete living collections.

Today, SAVILVA harmonizes its European heritage with master Turkish craftsmanship. Through a robust retail and export network, we continue to serve both domestic and international markets, bringing elegance and durability to modern living spaces.



# SEATING SET





# GALA GARDEN

## Technical Details

Material: Glass fiber-reinforced polypropylene

Set Weight: 43.90 kg

Number of Boxes: 1 Set / 3 Boxes

20 DC Container Capacity: 54 Sets

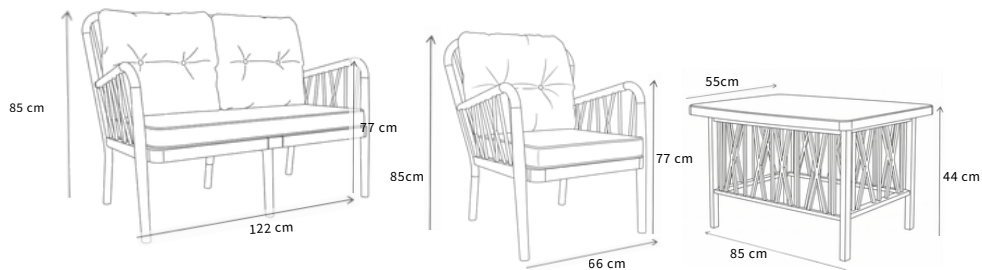
40 HC Container Capacity: 148 Sets

Truck Capacity: 172 Sets

## Color Palette



## Dimension





# LIZBON GARDEN

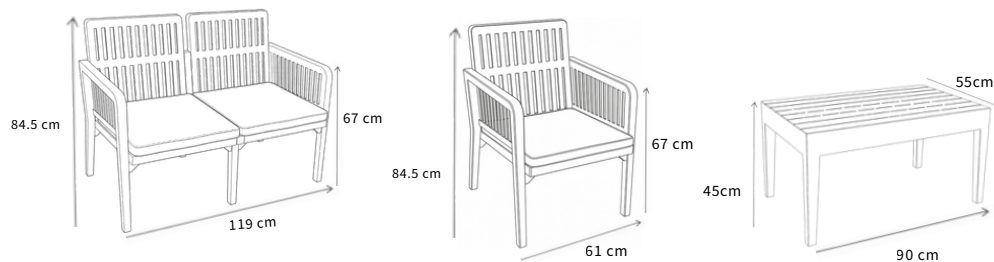
## Technical Details

Material: Glass fiber-reinforced polypropylene  
 Set Weight: 43.90 kg  
 Number of Boxes: 1 Set / 3 Boxes  
 20 DC Container Capacity: 54 Sets  
 40 HC Container Capacity: 148 Sets  
 Truck Capacity: 172 Sets

## Color Palette



## Dimension





# AYAZMA GARDEN

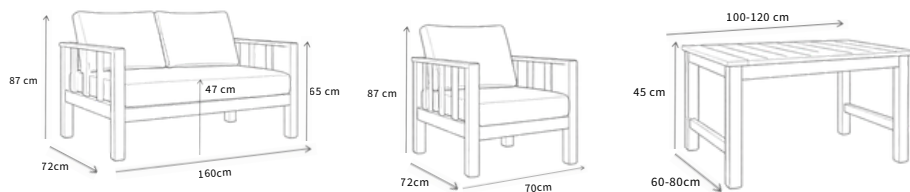
## Technical Details

Material: Solid hardwood beech  
 Set Weight: 73,1 kg  
 Number of Boxes: 1 Set / 4 Piece  
 20 DC Container Capacity: 14 Sets  
 40 HC Container Capacity: 30 Sets  
 Truck Capacity: 40 Sets

## Color Palette



## Dimension





# LUNA GARDEN

## Technical Details

Material: Metal profile with electrostatic powder coating

Set Weight: 71,25 kg

Number of Boxes: 1 Set / 4 Piece

20 DC Container Capacity: 13 Sets

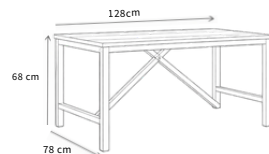
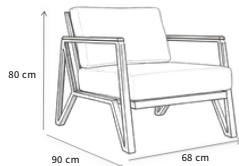
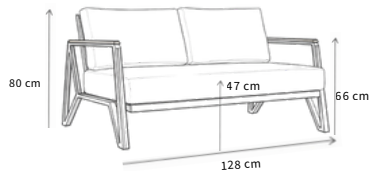
40 HC Container Capacity: 27 Sets

Truck Capacity: 36 Sets

## Color Palette



## Dimension





# TOKYO GARDEN

## Technical Details

Material: Solid hardwood beech /  
Metal Structure

Set Weight: 61,45 kg

Number of Boxes: 1 Set / 4 Piece

20 DC Container Capacity: 15 Sets

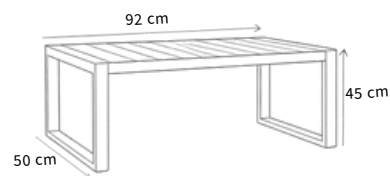
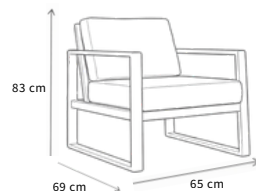
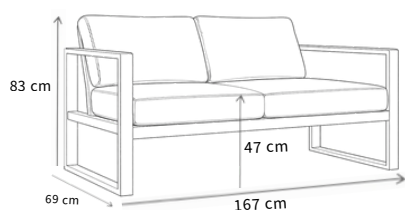
40 HC Container Capacity: 32 Sets

Truck Capacity: 42 Sets

## Color Palette



## Dimension





# LOKI GARDEN

## Technical Details

Material: Solid hardwood beech /  
Metal Structure

Set Weight: 61,45 kg

Number of Boxes: 1 Set / 4 Piece

20 DC Container Capacity: 15 Sets

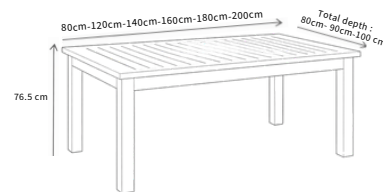
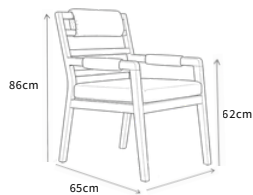
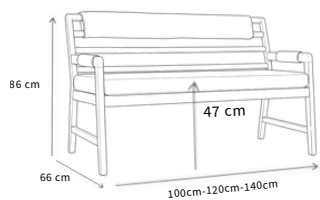
40 HC Container Capacity: 32 Sets

Truck Capacity: 42 Sets

## Color Palette



## Dimension



# CHAIR



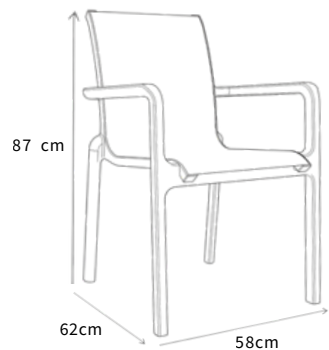


# PARIS



The Paris Chair combines a gas-injected fiberglass frame with ergonomic comfort. Stackable and easy to clean, this distinctive piece is perfect for both indoor and outdoor venues.

## Dimension



## Technical Details

Material: Glass fiber-reinforced polypropylene  
 Product Weight: 5,40 Kg  
 Package Dimensions: 60x115x235 cm  
 Stacking Quantity: 30 pcs  
 40 HC Container Capacity: 1200 pcs  
 Truck Capacity: 1320 pcs

## Fabric

- Cappucino
- Anthracite
- Blue

## Color Palette



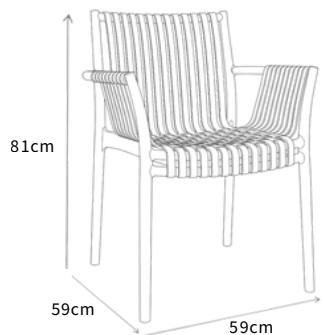


The Victor Chair combines a gas-injected fiberglass frame with a sleek design and natural tones. Stackable and versatile, this piece effortlessly adapts to any indoor or outdoor concept

# VICTOR



## Dimension



## Technical Details

Material: Glass fiber-reinforced polypropylene  
 Product Weight: 4.80 kg  
 Package Dimensions: 60 x 69.5 x 98.5 cm  
 Stacking Quantity: 4 pcs  
 40 HC Container Capacity: 680 pcs  
 Truck Capacity: 832 pcs

## Color Palette



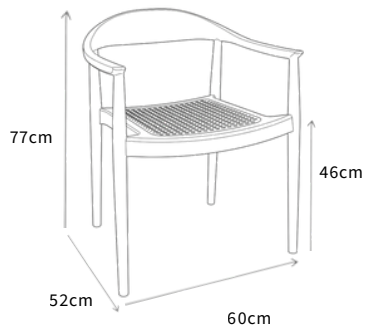


# KENNEDY

The Kennedy Chair combines a gas-injected fiberglass frame with an ergonomic cane-style seat. UV-resistant and stackable, its natural tones seamlessly adapt to any indoor or outdoor concept



## Dimension



## Technical Details

Material: Glass fiber-reinforced polypropylene  
 Product Weight: 4,50 kg  
 Package Dimensions: 63x91x260 cm  
 Stacking Quantity: 24 pcs  
 40 HC Container Capacity: 1296 pcs  
 Truck Capacity: 1440 pcs

## Color Palette



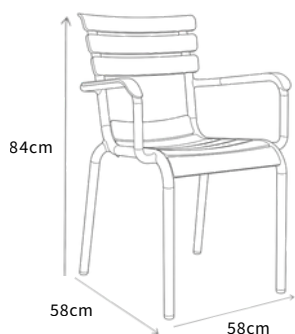


# HERA XL



The Hera XL Armchair combines a gas-injected fiberglass frame with a spacious, ergonomic design. Stackable and easy to clean, this distinctive piece is perfect for both indoor and outdoor venues.

## Dimension



## Technical Details

Material: Glass fiber-reinforced polypropylene  
 Product Weight: 4,25 kg  
 Package Dimensions: 60x100x250 cm  
 Stacking Quantity: 26 pcs  
 40 HC Container Capacity: 1144 pcs  
 Truck Capacity: 1352 pcs

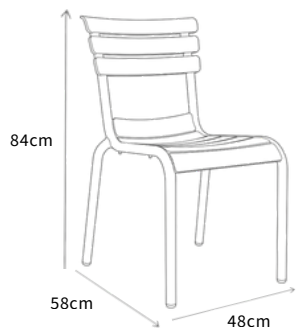
## Color Palette





The Hera Chair combines a gas-injected fiberglass frame with a sleek, ergonomic design. Stackable and UV-resistant, its natural tones seamlessly adapt to any indoor or outdoor concept.

## Dimension



## Technical Details

Material: Glass fiber-reinforced polypropylene

Product Weight: 4,15 kg

Package Dimensions: 50 x 100 x 250 cm

Stacking Quantity: 26 pcs

40 HC Container Capacity: 1430 pcs

Truck Capacity: 1690 pcs

# HERA



## Color Palette



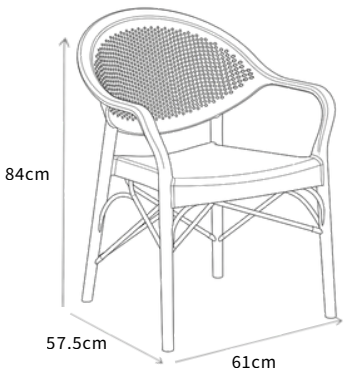


# MOON



The Moon Chair combines a gas-injected fiberglass frame with a unique honeycomb pattern. Stackable and versatile, its natural tones seamlessly adapt to any indoor or outdoor concept.

## Dimension



## Technical Details

Material: Glass fiber-reinforced polypropylene

Product Weight: 4,50 kg

Package Dimensions: 62x86x255 cm

Stacking Quantity: 22 pcs

40 HC Container Capacity: 1166 pcs

Truck Capacity: 1320 pcs

## Color Palette



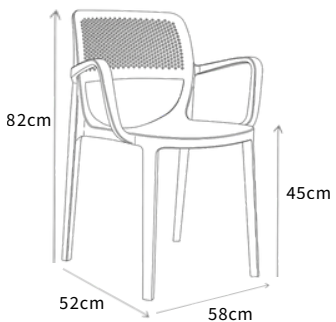


# MILA XL



The Mila XL Armchair combines a gas-injected fiberglass frame with a spacious, honeycomb-patterned design. UV-resistant and stackable, it seamlessly adapts to any indoor or outdoor concept.

## Dimension



## Technical Details

Material: Glass fiber-reinforced polypropylene

Product Weight: 3,80 kg

Package Dimensions: 58x95x255 cm

Stacking Quantity: 24 pcs

40 HC Container Capacity: 1368 pcs

Truck Capacity: 1464 pcs

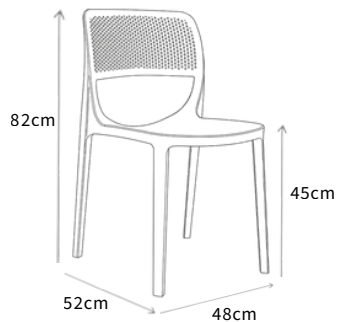
## Color Palette





The Mila Chair combines a gas-injected fiberglass frame with a stylish, honeycomb-patterned design. UV-resistant and stackable, it seamlessly adapts to any indoor or outdoor concept.

## Dimension



## Technical Details

Material: Glass fiber-reinforced polypropylene

Product Weight: 3,40 kg

Package Dimensions: 48x95x255 cm

Stacking Quantity: 32 pcs

40 HC Container Capacity: 1696 pcs

Truck Capacity: 1952 pcs

# MILA



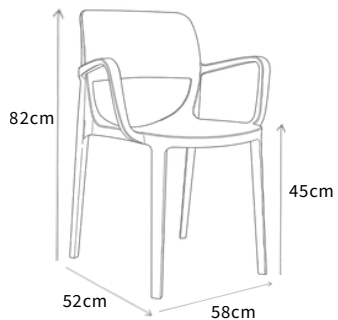
## Color Palette





Bella XL Armchair stands out with its gas-injected fiberglass frame and spacious, ergonomic design. Thanks to its stackable structure and natural tones, it easily complements both indoor and outdoor décor.

## Dimension



## Technical Details

Material: Glass fiber-reinforced polypropylene

Product Weight: 4 kg

Package Dimensions: 58x95x255 cm

Stacking Quantity: 24 pcs

40 HC Container Capacity: 1368 pcs

Truck Capacity: 1464 pcs

# BELLA XL



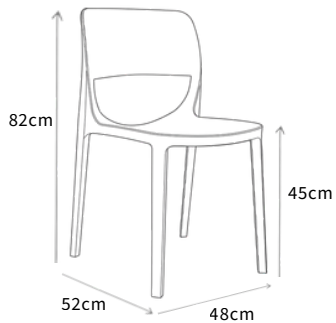
## Color Palette





The Bella Chair combines a gas-injected fiberglass frame with a spacious, ergonomic design. Stackable and versatile, its natural tones effortlessly complement any indoor or outdoor setting

## Dimension



## Technical Details

Material: Glass fiber-reinforced polypropylene

Product Weight: 3,60 kg

Package Dimensions: 48x95x255 cm

Stacking Quantity: 32 pcs

40 HC Container Capacity: 1696 pcs

Truck Capacity: 1952 pcs

# BELLA



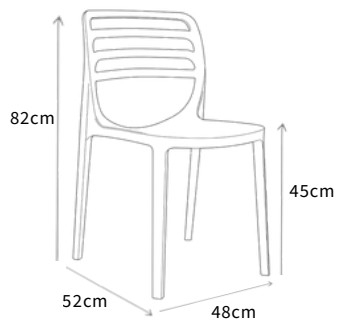
## Color Palette





The Laura Chair combines a gas-injected fiberglass frame with an elegant, linear design. UV-resistant and stackable, its natural tones seamlessly adapt to any indoor or outdoor concept.

## Dimension



## Technical Details

Material: Glass fiber-reinforced polypropylene

Product Weight: 3,40 kg

Package Dimensions: 48x95x255 cm

Stacking Quantity: 32 pcs

40 HC Container Capacity: 1696 pcs

Truck Capacity: 1952 pcs

# LAURA



## Color Palette





# TIARA XL



The Tiara XL Armchair combines a gas-injected fiberglass frame with a spacious, cross-linear back design. Durable and stackable, it offers a stylish seating solution for both indoor and outdoor areas.

## Dimension



## Technical Details

Material: Glass fiber-reinforced polypropylene

Product Weight: 4,25 kg

Package Dimensions: 56x83x255 cm

Stacking Quantity: 20 pcs

40 HC Container Capacity: 1120 pcs

Truck Capacity: 1280 pcs

## Color Palette





The Tiara Chair combines a gas-injected fiberglass frame with a unique cross-linear back design. Durable and stackable, it is the perfect seating solution for any indoor or outdoor setting

## Dimension



## Technical Details

Material: Glass fiber-reinforced polypropylene

Product Weight: 4 kg

Package Dimensions: 47x83x255 cm

Stacking Quantity: 20 pcs

40 HC Container Capacity: 1400 pcs

Truck Capacity: 1600 pcs

# TIARA



## Color Palette



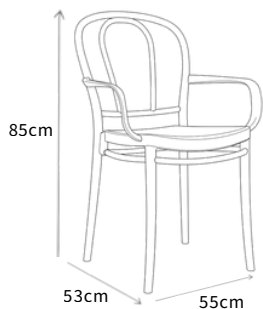


# ROSA XL



The Rosa XL Armchair combines a gas-injected fiberglass frame with a natural, circular design. Durable and stackable, this elegant piece is ideal for both indoor and outdoor settings

## Dimension



## Technical Details

Material: Glass fiber-reinforced polypropylene

Product Weight: 3,85 kg

Package Dimensions: 56x83x255 cm

Stacking Quantity: 20 pcs

40 HC Container Capacity: 1120 pcs

Truck Capacity: 1280 pcs

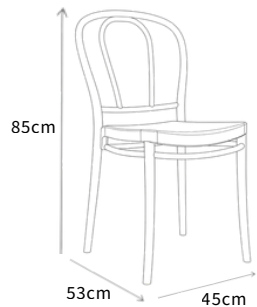
## Color Palette





The Rosa Chair combines a gas-injected fiberglass frame with a natural, circular design. Durable and stackable, this versatile piece is perfect for any indoor or outdoor setting

## Dimension



## Technical Details

Material: Glass fiber-reinforced polypropylene

Product Weight: 3,60 kg

Package Dimensions: 47x83x255 cm

Stacking Quantity: 20 pcs

40 HC Container Capacity: 1400 pcs

Truck Capacity: 1600 pcs

# ROSA



## Color Palette



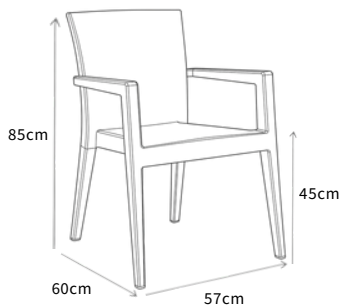


# MONTANA



The Montana Chair combines a gas-injected fiberglass frame with a stylish flat-patterned design. UV-protected and stackable, this weather-resistant piece is perfect for both indoor and outdoor venues

## Dimension



## Technical Details

Material: Glass fiber-reinforced polypropylene

Product Weight: 5,50 kg

Package Dimensions: 59x103x260 cm

Stacking Quantity: 20 pcs

40 HC Container Capacity: 1040 pcs

Truck Capacity: 1120 pcs

## Color Palette

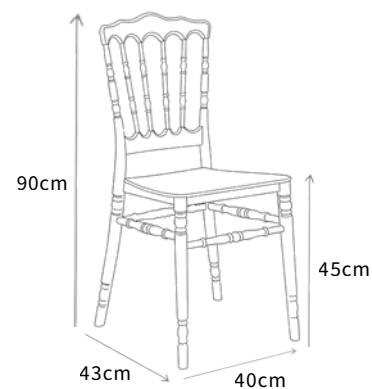


# NAPOLYON

The Napolyon Chair combines a gas-injected fiberglass frame with a space-saving design, perfect for weddings and events. UV-resistant and CATAS certified, it features optional water-repellent cushions for lasting comfort.



## Dimension



## Technical Details

Material: Glass fiber-reinforced polypropylene  
Product Weight: 3,80 kg  
Package Dimensions: 45 x 96 x 267 cm  
Stacking Quantity: 14 pcs  
40 HC Container Capacity: 1498 pcs  
Truck Capacity: 1694 pcs

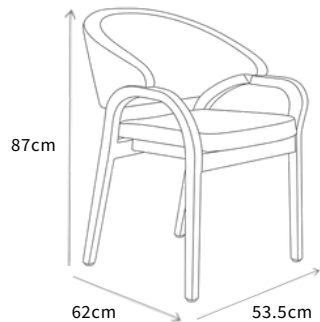


# LIBRA



The Libra Chair combines a gas-injected fiberglass frame with high-density molded foam for ultimate comfort. Featuring UV-resistant and water-repellent eco-leather, this unique, easy-to-assemble piece is perfect for both indoor and outdoor luxury.

## Dimension



## Frame Color Palette



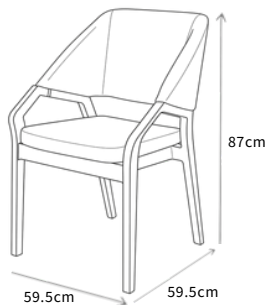
## Color Palette





The Linea Chair combines a gas-injected fiberglass frame with high-density molded foam for superior ergonomics. Featuring UV-resistant and water-repellent eco-leather, this durable, easy-to-assemble piece is ideal for premium indoor and outdoor use.

## Dimension



## Frame Color Palette



# LINEA



## Color Palette



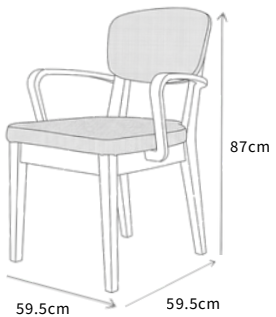


# ARES UP

The Ares Up Armchair combines a gas-injected fiberglass frame with high-density molded foam for a spacious, ergonomic seating experience. Featuring UV-resistant and water-repellent eco-leather, this unique piece is ideal for premium indoor and outdoor use.



## Dimension



## Frame Color Palette



## Color Palette



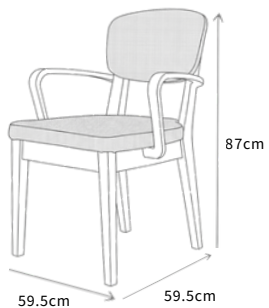


# ARES UP XL



The Ares XL Up Armchair combines a gas-injected fiberglass frame with high-density molded foam for a spacious, ergonomic seating experience. Featuring UV-resistant and water-repellent eco-leather, this unique piece is ideal for premium indoor and outdoor use.

## Dimension



## Frame Color Palette



## Color Palette



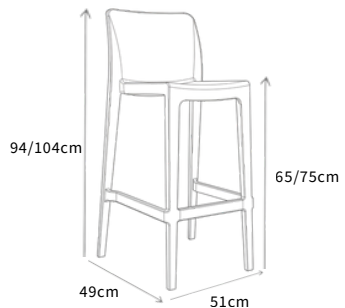
# BAR CHAIR





The Luna Bar Chair combines a gas-injected fiberglass frame with a sleek, ergonomic design. Stackable and easy to clean, this distinctive piece is perfect for both indoor and outdoor bar settings.

## Dimension



## Technical Details

Material: Glass fiber-reinforced polypropylene

Product Weight: 5,50 kg

Package Dimensions: 53x172x250 cm

Stacking Quantity: 24 pcs

40 HC Container Capacity: 960 pcs

Truck Capacity: 1152 pcs

# LUNA 75



## Color Palette





# LISA 75



The Lisa Bar Chair combines a gas-injected fiberglass frame with a sleek, ergonomic design. Stackable and easy to clean, this distinctive piece is perfect for both indoor and outdoor bar settings.

## Dimension



## Technical Details

Material: Glass fiber-reinforced polypropylene

Product Weight: 5,50 kg

Package Dimensions: 53x172x250 cm

Stacking Quantity: 24 pcs

40 HC Container Capacity: 960 pcs

Truck Capacity: 1152 pcs

## Color Palette



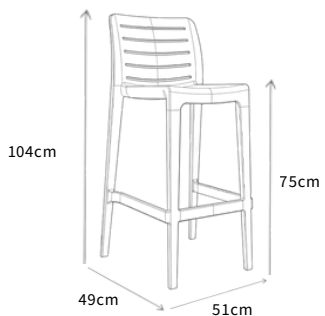


# LEVA 75

The Leva Bar Chair combines a gas-injected fiberglass frame with a sleek, ergonomic design. Stackable and easy to clean, this distinctive piece is perfect for both indoor and outdoor bar settings.



## Dimension



## Technical Details

Material: Glass fiber-reinforced polypropylene

Product Weight: 5,50 kg

Package Dimensions: 53x172x250 cm

Stacking Quantity: 24 pcs

40 HC Container Capacity: 960 pcs

Truck Capacity: 1152 pcs

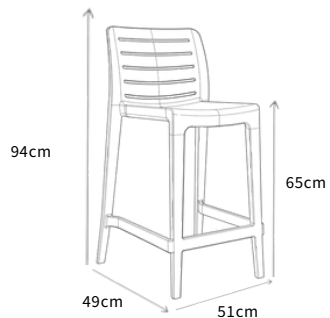
## Color Palette





The Leva Bar Chair combines a gas-injected fiberglass frame with a sleek, ergonomic design. Stackable and easy to clean, this distinctive piece is perfect for both indoor and outdoor bar settings

## Dimension



## Technical Details

Material: Glass fiber-reinforced polypropylene

Product Weight: 5,30 kg

Package Dimensions: 53x172x250 cm

Stacking Quantity: 24 pcs

40 HC Container Capacity: 960 pcs

Truck Capacity: 1152 pcs

# LEVA 65



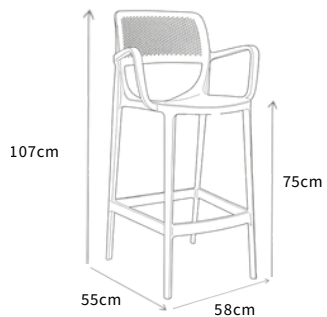
## Color Palette





The Mila Bar XL with armrests combines a gas-injected fiberglass frame with a spacious, ergonomic design. Featuring armrests and UV protection, this weather-resistant piece offers superior comfort for any indoor or outdoor bar setting

## Dimension



## Technical Details

Material: Glass fiber-reinforced polypropylene

Product Weight: 5,60 kg

Package Dimensions: 58x95x255 cm

Stacking Quantity: 24 pcs

40 HC Container Capacity: 840 pcs

Truck Capacity: 960 pcs

# MILA XL



## Color Palette



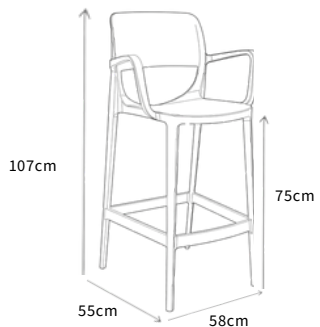


# BELLA XL



The Bella Bar XL with armrests combines a gas-injected fiberglass frame with a spacious, ergonomic design. Featuring armrests and UV protection, this weather-resistant piece offers superior comfort for any indoor or outdoor bar setting.

## Dimension



## Technical Details

Material: Glass fiber-reinforced polypropylene

Product Weight: 5,80 kg

Package Dimensions: 58x95x255 cm

Stacking Quantity: 24 pcs

40 HC Container Capacity: 840 pcs

Truck Capacity: 960 pcs

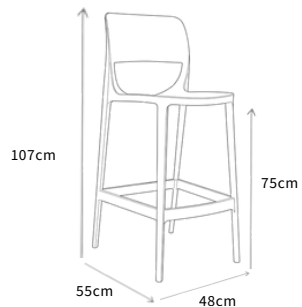
## Color Palette





The Bella Bar Chair combines a gas-injected fiberglass frame with a sleek, ergonomic design. UV-protected and weather-resistant, it offers superior comfort and durability for any indoor or outdoor bar setting.

## Dimension



## Technical Details

Material: Glass fiber-reinforced polypropylene

Product Weight: 5,40 kg

Package Dimensions: 58x95x255 cm

Stacking Quantity: 32 pcs

40 HC Container Capacity: 960 pcs

Truck Capacity: 1120 pcs

# BELLA



## Color Palette



# TABLE BASE



# PLASTIC TABLE BASE



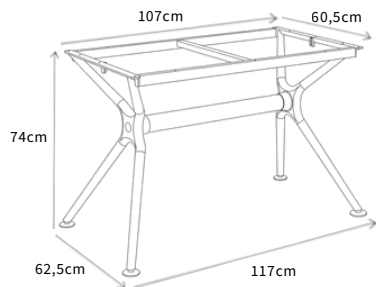


# MODUS L



The Modus L Table Base features a gas-injected fiberglass frame with a ball-joint leveling system for maximum stability on uneven surfaces. Designed for mid-sized surfaces up to 90x150 cm, its reinforced profiles prevent table sagging

## Dimension



## Technical Details

Material: Glass fiber-reinforced polypropylene

Product Weight: 7.25 kg

Box Dimensions: 61x75x23 cm

Quantity per Box: 1 Piece / 2 Box

20 DC Container: 300 units

40 HC Container: 680 units

Truck Capacity: 800 units

## Color Palette

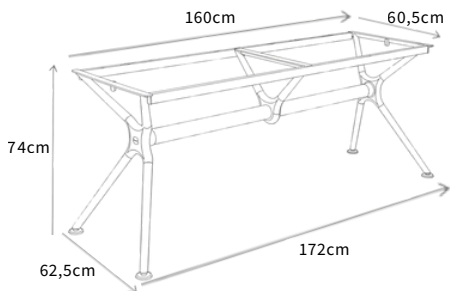




# MODUS XL

The Modus XL Table Base features a gas-injected fiberglass frame with a ball-joint leveling system for maximum stability on uneven surfaces. Specifically engineered for large surfaces up to 90x210 cm, its reinforced profiles prevent table sagging

## Dimension



## Technical Details

Material: Glass fiber-reinforced polypropylene

Product Weight: 9.5 kg

Box Dimensions: 61x75x23 cm

Quantity per Box: 1 Piece / 2 Box

20 DC Container: 280 units

40 HC Container: 620 units

Truck Capacity: 750 units



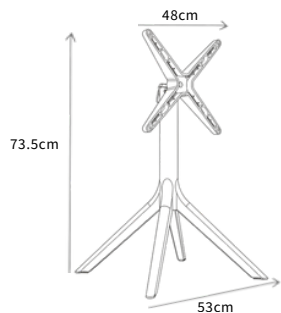


# RITA FOLD



The Rita Fold Table Base features a gas-injected fiberglass frame with a practical folding mechanism. Compatible with 70x70 cm and 80x80 cm table tops, it offers a space-saving and durable solution for any setting.

## Dimension



## Technical Details

Material: Glass fiber-reinforced polypropylene

Product Weight: 5,70 kg

Box Dimensions: 55.5 x 55.5 x 38.5 cm

Quantity per Box: 1 Piece / 1 Box

20 DC Container: 252 units

40 HC Container: 504 units

Truck Capacity: 672 units

## Color Palette



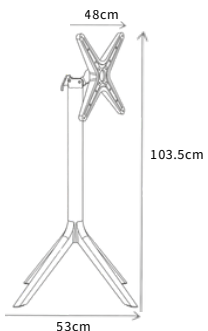


# RITA FOLD BAR



The Rita Fold Bar Table Base combines a gas-injected fiberglass frame with a practical folding mechanism. Designed for bar-height settings, it is compatible with 70x70 cm and 80x80 cm table tops for a space-saving solution.

## Dimension



## Technical Details

Material: Glass fiber-reinforced polypropylene

Product Weight: 7,20 kg

Box Dimensions: 55,5x55,5x38,5 cm

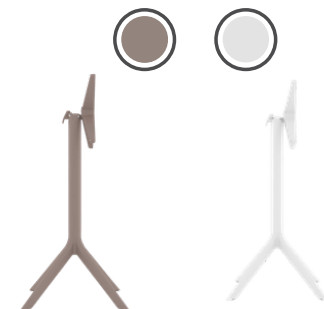
Quantity per Box: 1 Piece / 1 Box

20 DC Container: 252 units

40 HC Container: 504 units

Truck Capacity: 672 units

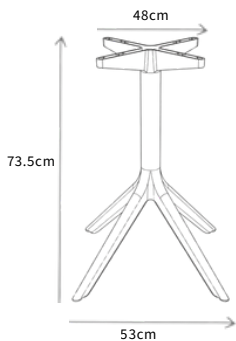
## Color Palette





The Rita Table Base features a gas-injected fiberglass frame, engineered for maximum durability. Compatible with 70x70 cm and 80x80 cm table tops, it offers a sturdy and stylish foundation for any setting.

## Dimension



## Technical Details

Material: Glass fiber-reinforced polypropylene

Product Weight: 5.50 kg

Box Dimensions: 55.5 x 55.5 x 38.5 cm

Quantity per Box: 1 Piece / 1 Box

20 DC Container: 252 units

40 HC Container: 504 units

Truck Capacity: 672 units

# RITA



## Color Palette



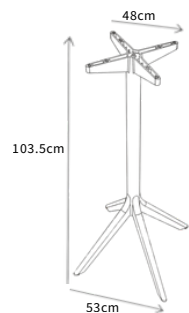


# RITA BAR



The Rita Bar Table Base features a gas-injected fiberglass frame for superior stability and strength. Specifically designed for bar-height settings, it is compatible with 70x70 cm and 80x80 cm table tops.

## Dimension



## Technical Details

Material: Glass fiber-reinforced polypropylene

Product Weight: 7 kg

Box Dimensions: 55,5x55,5x38,5 cm

Quantity per Box: 1 Piece / 1 Box

20 DC Container: 252 units

40 HC Container: 504 units

Truck Capacity: 672 units

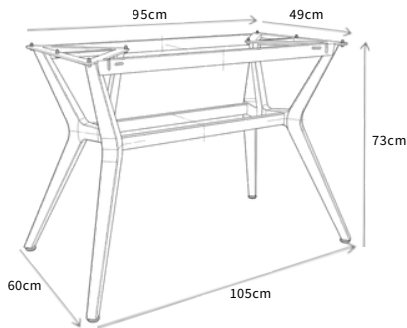
## Color Palette





The Juno L Table Base features a gas-injected fiberglass frame with high UV resistance for maximum stability. Designed for larger surfaces, it is perfectly compatible with 70x120 cm and up to 80x140 cm table tops in any indoor or outdoor setting.

## Dimension



## Technical Details

Material: Glass fiber-reinforced polypropylene

Product Weight: 6 kg

Box Dimensions: 60x60x76 cm

Quantity per Box: 1 Piece / 2 Box

20 DC Container: 480 units

40 HC Container: 960 units

Truck Capacity: 1056 units

# JUNO L



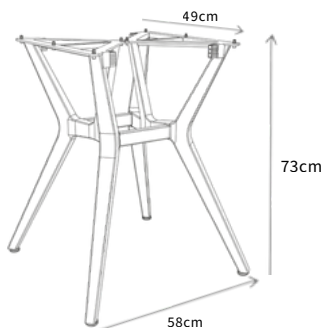
## Color Palette





The Juno S Table Base features a gas-injected fiberglass frame with high UV resistance for lasting durability. Versatile and sturdy, it is compatible with 70x70 cm and 80x80 cm table tops in both indoor and outdoor settings.

## Dimension



## Technical Details

Material: Glass fiber-reinforced polypropylene

Product Weight: 7,20 kg

Box Dimensions: 55,5x55,5x38,5 cm

Quantity per Box: 1 Piece / 1 Box

20 DC Container: 252 units

40 HC Container: 504 units

Truck Capacity: 672 units

# JUNOS



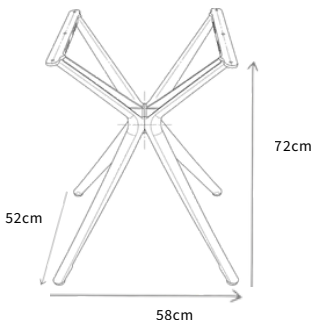
## Color Palette





The Vega Table Base features a fiberglass-reinforced frame with high UV resistance for lasting durability. Versatile and stable, it is perfectly compatible with table tops up to 80x80 cm in both indoor and outdoor settings.

## Dimension



## Technical Details

Material: Glass fiber-reinforced polypropylene

Product Weight: 7,20 kg

Box Dimensions: 55,5x55,5x38,5 cm

Quantity per Box: 1 Piece / 1 Box

20 DC Container: 252 units

40 HC Container: 504 units

Truck Capacity: 672 units

# VEGA



# ALUMINIUM TABLE BASE

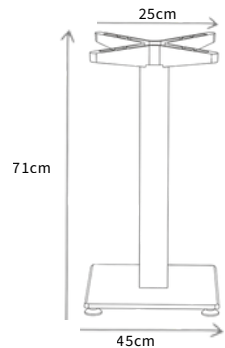




# GONZO

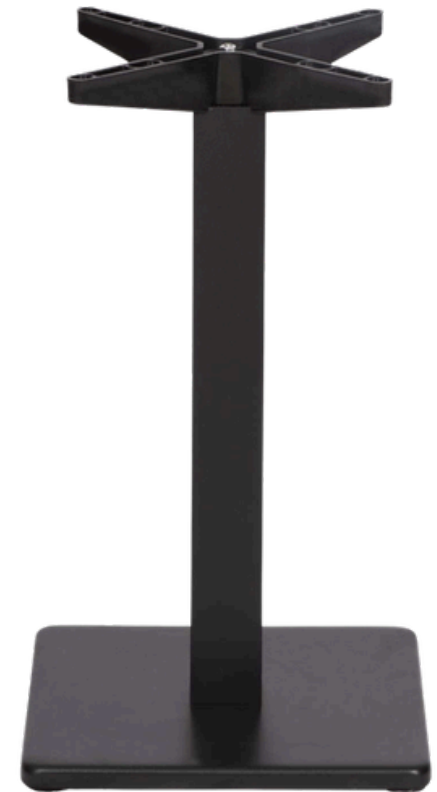
The Gonzo Table Base features a stable 45x45 cm metal foundation with an aluminum column and plate. Durable and stylish, this versatile base is an ideal choice for hotels, restaurants, and cafes

## Dimension



## Technical Details

Material: Steel base plate / aluminum column  
 Box Dimensions: 68x47x13 cm  
 Quantity per Box: 2 Piece / 1 Box  
 20 DC Container: 600 units  
 40 HC Container: 1200 units  
 Truck Capacity: 1520 units

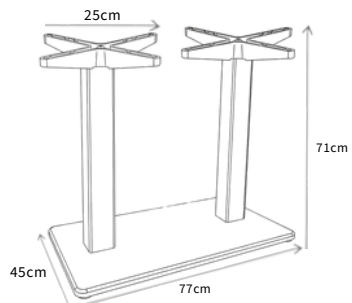




# GONZO DUAL

The Gonzo Double Table Base features a stable 45 × 77 cm steel base, combined with an aluminum column and steel mounting plates. It supports tabletops up to 80 × 130 cm. Designed for larger surfaces, this durable base is an ideal choice for hotels, restaurants, and cafés.

## Dimension



## Technical Details

Material: Steel base plate / aluminum column

Product Weight: 15 kg

Box Dimensions: 79,5x47x13 cm

Quantity per Box: 1 Piece / 1 Box

20 DC Container: 360 units

40 HC Container: 720 units

Truck Capacity: 936 units

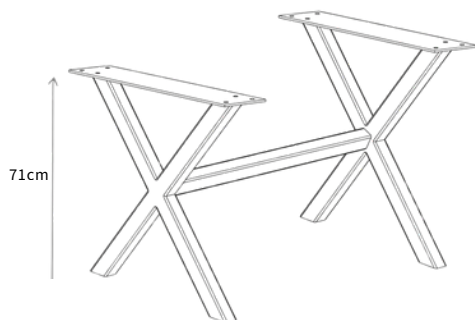




# DOUBLE CROSS

The Double Cross Table Base features a powder-coated steel frame designed for maximum strength and stability. Equipped with adjustable leveling feet and suitable for both indoor and outdoor use, it comes as a practical two-piece set in a single box.

## Dimension



## Technical Details

Material: Electrostatic powder-coated steel

Product Weight: 10 kg

Box Dimensions: 76,5x67x21 cm

Quantity per Box: 1 Piece / 1 Box

20 DC Container: 216 units

40 HC Container: 432 units

Truck Capacity: 540 units

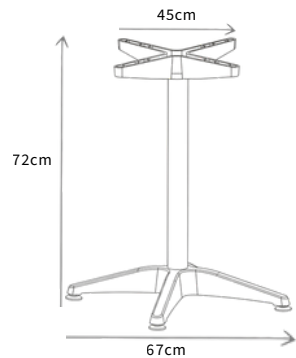




# RUDY

Crafted from premium aluminum, the Rudy Single Table Base is exceptionally strong and highly corrosion-resistant. It is suitable for  $\varnothing 70$ ,  $\varnothing 80$  up to  $\varnothing 120$  tabletops. Featuring an optional plastic rattan column, it offers a durable and stylish foundation for any setting.

## Dimension



## Technical Details

Material: 100% aluminum  
Product Weight: 6.50 kg  
Box Dimensions: 64x54x12 cm  
Quantity per Box: 1 Piece / 1 Box  
20 DC Container: 880 units  
40 HC Container: 1760 units  
Truck Capacity: 2080 units

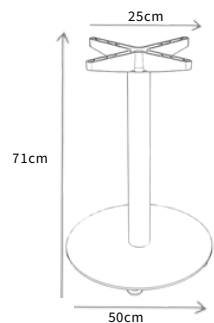




# TOPAZ

The Topaz Table Base features a lightweight aluminum base available in Ø40 or Ø55, paired with an aluminum column and steel mounting plate. It is suitable for Ø60, Ø70, and Ø80 tabletops. Stylish and durable, it is an ideal choice for hotels, restaurants, and cafés.

## Dimension



## Technical Details

Material: Steel base plate / aluminum column

Product Weight: 9 kg

Box Dimensions: 55x69x10 cm

Quantity per Box: 1 Piece / 1 Box

20 DC Container: 800 units

40 HC Container: 1700 units

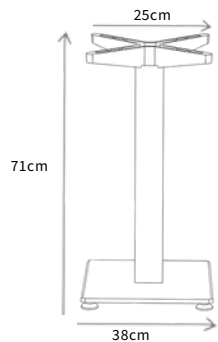
Truck Capacity: 1900 units





The Enzo Table Base features a sturdy metal foundation with an aluminum column and plate. Available in various colors, this versatile and durable base is an ideal choice for hotels, restaurants, and cafes.

## Dimension



## Technical Details

Material: Steel base plate / aluminum column

Product Weight: 7.50 kg

Box Dimensions: 76x40x15 cm

Quantity per Box: 2 Piece / 1 Box

20 DC Container: 900 units

40 HC Container: 1800 units

Truck Capacity: 2280 units

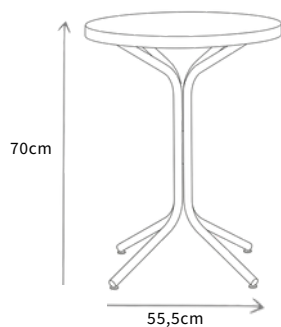
# ENZO





The Tavoli Table features a sleek 55 cm diameter metal frame, specifically designed for small spaces. Easy to assemble and delivered in a compact box, it offers a practical and stylish solution for cozy settings.

## Dimension



## Technical Details

Material: Electrostatic powder-coated steel

Product Weight: 4 kg

Box Dimensions: 73,5x58,5x10 cm

Quantity per Box: 1 Piece / 1 Box

20 DC Container: 704 units

40 HC Container: 1600 units

Truck Capacity: 1800 units

# TAVOLI



## Color Palette



# TABLETOP





# WERZALIT

## Color Palette



The Werzalit Table Top collection offers a durable laminate surface available in round, square, and rectangular shapes. Featuring a wide range of dynamic patterns and customizable sizes, these tops provide a stylish and resilient solution for any setting.

## Dimension

### TableTop Size

- Ø 70 cm
- Ø 90 cm
- 70 x 70 cm
- 70 x 120 cm
- 80 x 140 cm

### TableTop Weight

- 5.9 kg
- 9.5 kg
- 8.9 kg
- 14.3 kg
- 18.3 kg

## Frame Color Palette





# COMPACT

## Color Palette



The Compact Table Top collection offers high-durability HPL laminate surfaces in round, square, and rectangular shapes. With customizable dimensions and dynamic patterns, these tops combine a sleek profile with superior resistance for any environment

### Dimension

60 x 60 cm	6.25 kg
70 x 70 cm	8.30 kg
80 x 80 cm	11.10 kg
80 x 120 cm	16.70 kg
80 x 140 cm	18.30 kg
90 x 160 cm	25 kg
90 x 180 cm	28.50 kg

### Frame Color Palette



# FLIP TOP T60

The Flip Top table top features a 12 mm compact laminate surface set within a 3.5 cm electrostatic powder-coated aluminum frame. Designed for versatility, the dual-sided frame allows for different edge aesthetics to suit your design needs.



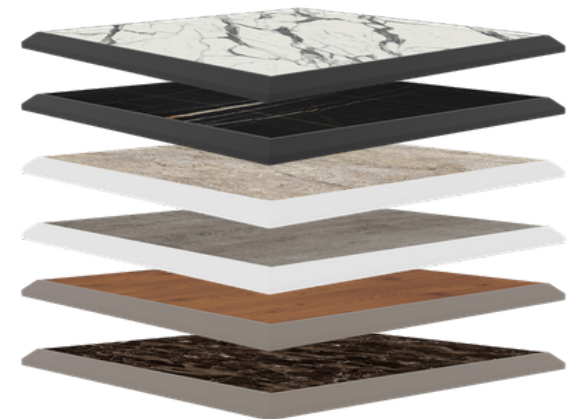
## Dimension

Width: 59 cm  
Depth: 59 cm  
Height: 3.5 cm  
Product Weight: 7.00 kg  
Package : 61.5 x 61.5 x 23.5 cm  
Quantity per Box: 10 Units / Box

## Frame Color Palette



## Color Palette



# FLIP TOP D60

The Flip Top table top features a 12 mm compact laminate surface integrated with a 3.5 cm electrostatic powder-coated aluminum frame. Its versatile dual-sided frame allows for distinct edge aesthetics to match different interior styles.



## Dimension

Width: 59 cm

Depth: 59 cm

Height: 3.5 cm

Product Weight: 7.00 kg

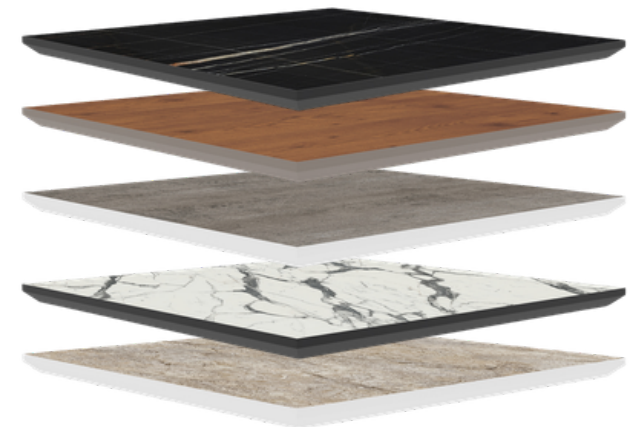
Package : 61.5 x 61.5 x 23.5 cm

Quantity per Box: 10 Units / Box

## Frame Color Palette



## Color Palette



# FLIP TOP T70

The Flip Top table top features a 12 mm compact laminate surface integrated with a 3.5 cm electrostatic powder-coated aluminum frame. Its versatile dual-sided frame allows for distinct edge aesthetics to match different interior styles.



## Dimension

Width: 70 cm

Depth: 70 cm

Height: 3.5 cm

Product Weight: 9.20 kg

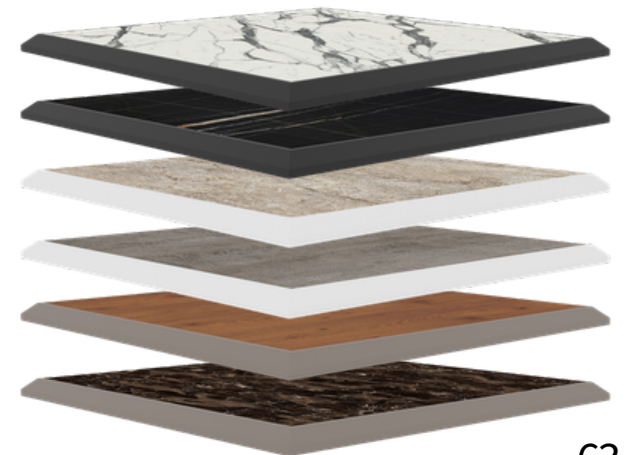
Package : 72,5x72,5x23,5 cm

Quantity per Box: 10 Units / Box

## Frame Color Palette



## Color Palette



# FLIP TOP D70

The Flip Top table top features a 12 mm compact laminate surface integrated with a 3.5 cm electrostatic powder-coated aluminum frame. Its versatile dual-sided frame allows for distinct edge aesthetics to match different interior styles.



## Dimension

Width: 70 cm

Depth: 70 cm

Height: 3.5 cm

Product Weight: 9.20 kg

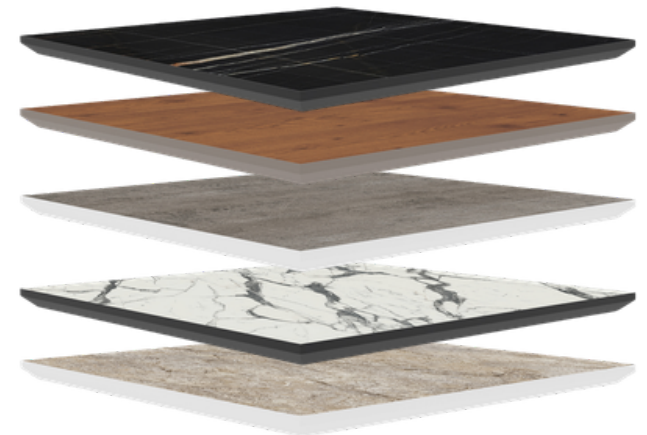
Package : 72,5x72,5x23,5 cm

Quantity per Box: 10 Units / Box

## Frame Color Palette



## Color Palette



# FLIP TOP T80

The Flip Top table top features a 12 mm compact laminate surface integrated with a 3.5 cm electrostatic powder-coated aluminum frame. Its versatile dual-sided frame allows for distinct edge aesthetics to match different interior styles.



## Dimension

Width: 80 cm

Depth: 80 cm

Height: 3.5 cm

Product Weight: 12.40 kg

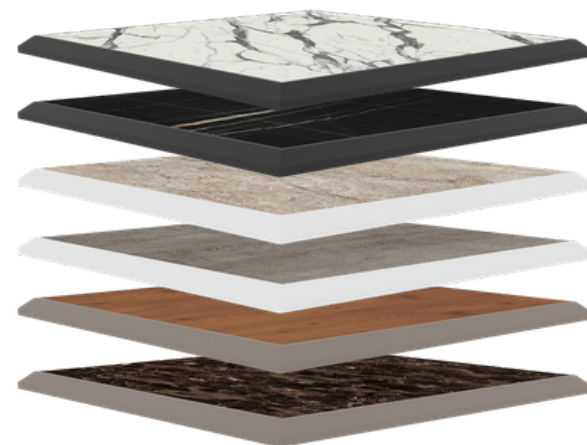
Package : 82,5x82,5x23,5 cm

Quantity per Box: 10 Units / Box

## Frame Color Palette



## Color Palette



# FLIP TOP D80

The Flip Top table top features a 12 mm compact laminate surface integrated with a 3.5 cm electrostatic powder-coated aluminum frame. Its versatile dual-sided frame allows for distinct edge aesthetics to match different interior styles.



## Dimension

Width: 80 cm

Depth: 80 cm

Height: 3.5 cm

Product Weight: 12.40 kg

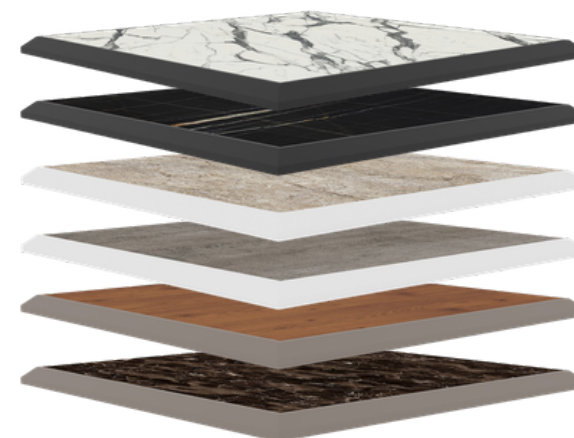
Package : 82,5x82,5x23,5 cm

Quantity per Box: 10 Units / Box

## Frame Color Palette



## Color Palette



# FLIP TOP T80 X 140

The Flip Top table top features a 12 mm compact laminate surface integrated with a 3.5 cm electrostatic powder-coated aluminum frame. Its versatile dual-sided frame allows for distinct edge aesthetics to match different interior styles.



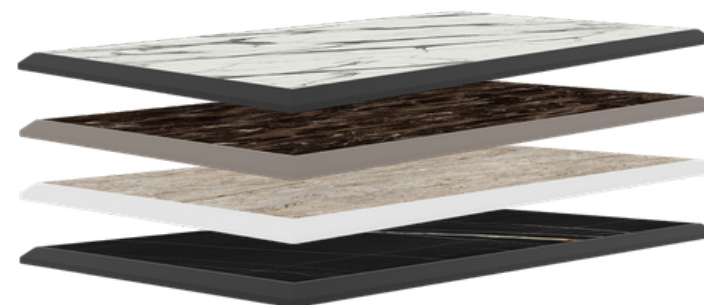
## Dimension

Width: 80 cm  
Depth: 140 cm  
Height: 3.5 cm  
Product Weight: 20 kg  
Package : 82,5x142,5x23,5 cm  
Quantity per Box: 10 Units / Box

## Frame Color Palette



## Color Palette



# FLIP TOP D 80 X 140

The Flip Top table top features a 12 mm compact laminate surface integrated with a 3.5 cm electrostatic powder-coated aluminum frame. Its versatile dual-sided frame allows for distinct edge aesthetics to match different interior styles.



## Dimension

Width: 80 cm

Depth: 140 cm

Height: 3.5 cm

Product Weight: 20 kg

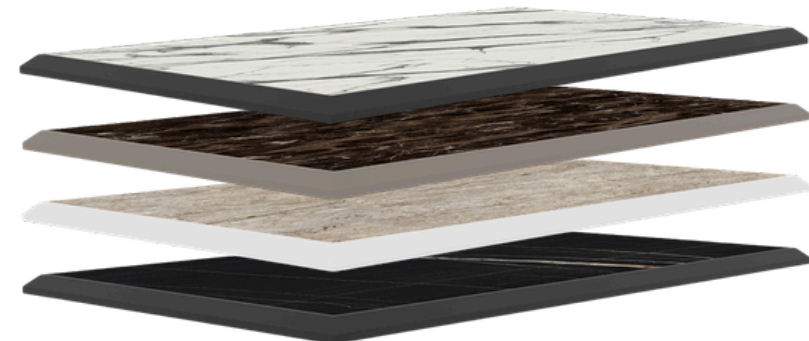
Package : 82,5x142,5x23,5 cm

Quantity per Box: 10 Units / Box

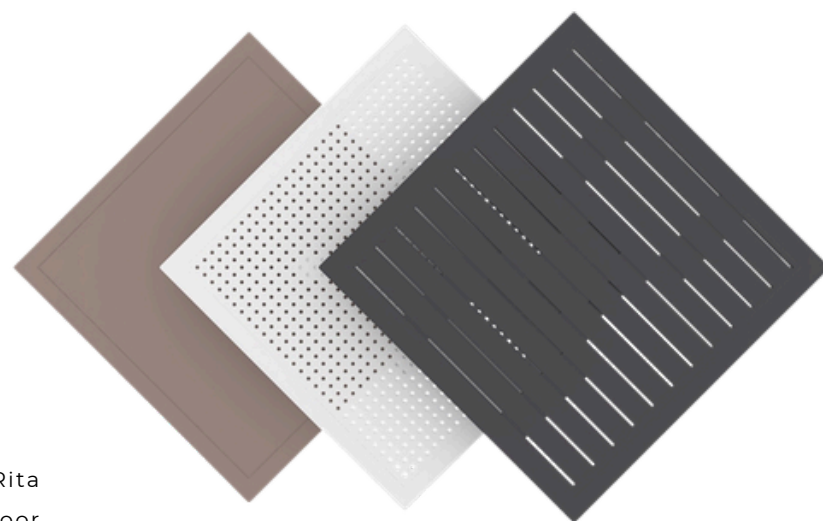
## Frame Color Palette



## Color Palette



# SILVA



The Silva Table Top, produced with gas-injection technology, is perfectly compatible with Rita bases. Available in various colors and designs, it is an essential piece for both indoor and outdoor environments

## Dimension

Width: 75 cm

Depth: 75 cm

Height: 3 cm

Product Weight: 5.20 kg

Package : 76x76x7 cm

Quantity per Box: 2 Units / Box

## Frame Color Palette



## DESIGN Palette



# CONSCIOUS PRODUCTION APPROACH



## We Draw Our Power From Nature

We produce a large portion of the electricity used in our production facilities ourselves using solar panels



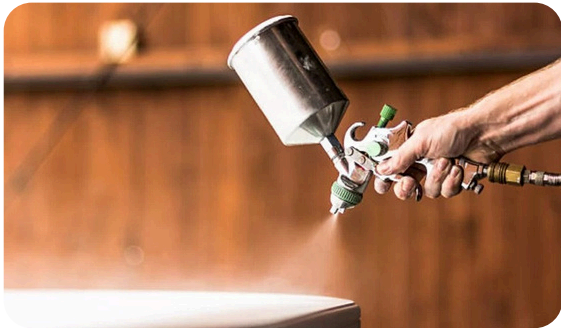
## We Use Certified Wood

Every piece of wood used in our furniture comes from sustainably certified forests grown for industrial purposes (FSC certified).



## We Adopt the Zero Waste Principle

We contribute back to the economy by converting sawdust and wood scraps generated during the production process into pellet fuel.



## Health in Your Living Spaces

We protect indoor air quality by choosing eco-friendly water-based paints and varnishes that do not contain heavy metals in our furniture.



## We Transform for the Future

We minimize natural resource consumption by using recyclable metal, textile, and packaging materials in our production processes.



## A Sustainable Future

We reject the 'disposable' mindset and offer a long-lasting user experience through high-quality materials and robust craftsmanship.



Phone +90 332 717 00 03



Mobile / WhatsApp +90 535 783 9593



info@savilva.com



www.savilva.com



Kargacı Mh. 95925. Sk. A-Blok No: 7  
Ereğli / Konya / Türkiye

**SA SAVILVA**