

The image shows a contemporary restaurant or bar setting. In the foreground, there is a red leather sofa and a matching red leather chair, both with black frames. A black table with a dark, possibly marble, top is positioned between them. The background features a dark wall with vertical slats and warm, ambient lighting from pendant lamps and wall sconces. A bar area with shelves of bottles is visible on the right side. The overall atmosphere is sophisticated and modern.

SAVILVA

HORECA FURNITURE

2026

Collection '26
SAVILVA

*C*ONTENTS

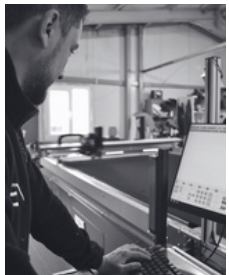
_____	CHAIR
_____	BAR CHAIR
_____	BANK
_____	POUF
_____	BISTRO TABLE
_____	TABLE BASE

ABOUT US

Founded in the Netherlands in 1997, SAVILVA began its journey as a family-owned business specializing in the production of sofa legs. Built on the core values of quality, design excellence, and sustainable production, the company quickly established itself as a trusted partner within the European furniture industry.

In 2002, SAVILVA relocated its production facilities to Türkiye. Since then, we have expanded our portfolio to include the in-house design and manufacturing of dining tables, chairs, sofas, and complete living collections.

Today, SAVILVA harmonizes its European heritage with master Turkish craftsmanship. Through a robust retail and export network, we continue to serve both domestic and international markets, bringing elegance and durability to modern living spaces.



BANKS

These Gastro benches combine exceptional comfort with stylish design. Beneath the leatherette upholstery lies an ergonomically shaped foam core, providing a soft and supportive seating experience. Sit back, relax, and enjoy your meal on a plush, comfortable surface. The soft padding, wide seat, and ideal seat height ensure maximum comfort, while the sturdy construction delivers excellent stability and load-bearing capacity.



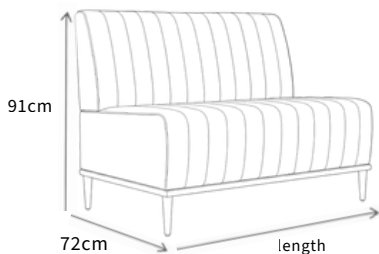


BUMPY

A refined statement piece, the Bumpy bench combines contemporary elegance with exceptional comfort. Its soft contours and linear upholstery detailing create a modern look, while ergonomic padding ensures lasting comfort.



Dimension



Technical Details

Foam Density : 30 DNS
 Foam Thickness : 90mm
 Leather Thickness : 1 mm (+-0,05)
 gr/m2 550 (+-20)
 Load Capacity : 300 kg
 Weight : 25 kg

Material

Frame Wood : A-Grade
 Premium leather
 B1 certificate / hardly
 flammable
 Stain resistand luxury velvet

Leather



Velvet



Size (length)

100 cm 120 cm 140 cm 160 cm 180 cm 200 cm

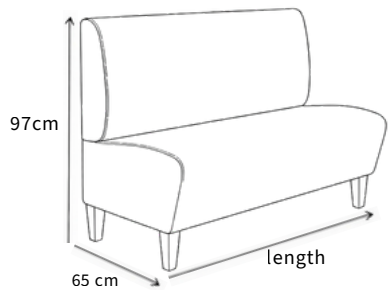


PARIS



The Paris bistro bench combines modern style with ergonomic comfort, featuring soft faux leather upholstery and supportive foam padding. Its open-leg design ensures a light look and easy handling, while its durable build makes it ideal for cafés, restaurants, lounges, and bars.

Dimension



Technical Details

Foam Density : 30 DNS
 Foam Thickness : 50mm
 Leather Thickness : 1 mm (+-0,05)
 gr/m2 550 (+-20)
 Load Capacity : 300 kg
 Weight : 25 kg

Material

Frame Wood : A-Grade
 Premium leather
 B1 certificate / hardly
 flammable
 Stain resistand luxury velvet

Size (length)

100 cm 120 cm 140 cm 160 cm 180 cm 200 cm

Leather



Velvet



Backrest Style



smooth striped diamond chester

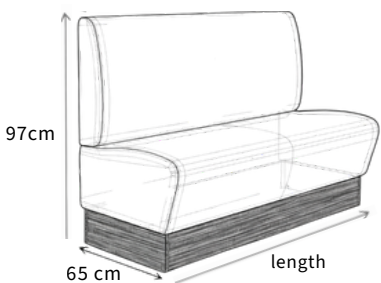


AMSTERDAM



The Amsterdam bistro bench combines comfort and style with ergonomic padding and soft faux leather upholstery. Its sturdy construction ensures lasting stability—ideal for restaurants, cafés, lounges, and bars.

Dimension



Technical Details

Foam Density : 30 DNS
 Foam Thickness : 50mm
 Leather Thickness : 1 mm (+-0,05)
 gr/m2 550 (+-20)
 Load Capacity : 300 kg
 Weight : 25 kg

Material

Frame Wood : A-Grade
 Premium leather
 B1 certificate / hardly
 flammable
 Stain resistand luxury velvet

Size (length)

100 cm 120 cm 140 cm 160 cm 180 cm 200 cm

Leather



Velvet



Backrest Style



smooth

striped

diamond

chester

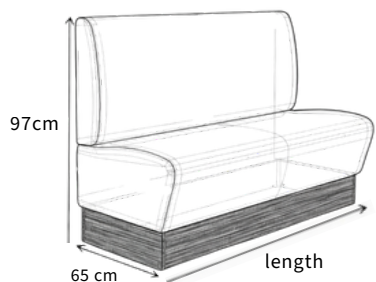


B E R L I N



The Berlin bistro bench combines style and comfort with soft faux leather upholstery and ergonomic padding. Its closed Inox-finish base adds a modern touch, while its durable build makes it ideal for cafés, restaurants, lounges, and bars.

Dimension



Technical Details

Foam Density : 30 DNS
 Foam Thickness : 50mm
 Leather Thickness : 1 mm (+-0,05)
 gr/m2 550 (+-20)
 Load Capacity : 300 kg
 Weight : 25 kg

Material

Frame Wood : A-Grade
 Premium leather
 B1 certificate / hardly
 flammable
 Stain resistand luxury velvet

Size (length)

100 cm 120 cm 140 cm 160 cm 180 cm 200 cm

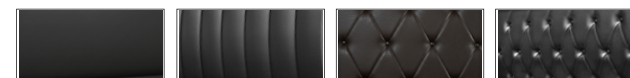
Leather



Velvet



Backrest Style



smooth striped diamond chester

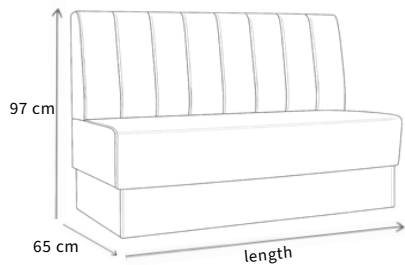


MADRID



The "Madrid" bistro bench stands out with its bold, classic design and exceptional seating comfort. Its ergonomically shaped foam core and generously padded seat are upholstered in high-quality faux leather, offering a soft yet supportive seating experience.

Dimension



Technical Details

Foam Density : 30 DNS
 Foam Thickness : 50mm
 Leather Thickness : 1 mm (+-0,05)
 gr/m2 550 (+-20)
 Load Capacity : 300 kg
 Weight : 25 kg

Material

Frame Wood : A-Grade
 Premium leather
 B1 certificate / hardly
 flammable
 Stain resistand luxury velvet

Size (length)

100 cm 120 cm 140 cm 160 cm 180 cm 200 cm

Leather



Velvet



Backrest Style



smooth striped diamond chester

CORNER

Combining durability with refined comfort, this modular corner bench maximizes space and seating capacity. Built for demanding hospitality environments, it offers stability and lasting performance—ideal for lounges, restaurants, and cafés.



Amsterdam



Paris



Berlin



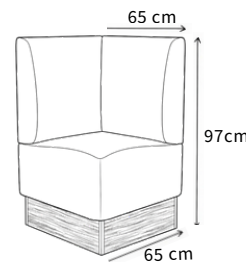
Material

Premium leather
B1 certificate / hardly flammable
Stain resistant luxury velvet

Technical Details

Foam Density : 30 DNS
Foam Thickness : 50mm
Leather Thickness : 1 mm (+-0,05) gr/m2 550 (+-20)
Load Capacity : 230 kg
Weight : 24 kg

Dimension



Leather



Velvet



Backrest Style



smooth striped diamond chester

Size(length)

65 cm

BANK

The Ülgen, Vera, and Tengri bistro benches combining modern elegance with superior comfort, these bistro benches feature armrests, ergonomic padding, and premium faux leather upholstery. Easy to reposition and designed for practicality, they are ideal for high-end hospitality interiors.



Vera



Material

Frame Wood : A-Grade Beech
Premium leather
B1 certificate / hardly flammable
Stain resistand luxury velvet

Ülgen



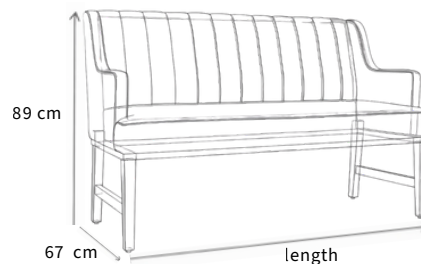
Technical Details

Foam Density : 30 DNS
Foam Thickness : 70mm
Leather Thickness : 1 mm (+-0,05)
gr/m2 550 (+-20)
Load Capacity : 300 kg
Weight : 25 kg

Tengri



Dimension



Leather



Velvet



Backrest Style



smooth striped diamond chester

Size(length)

100 cm 120 cm 140 cm 160 cm 180 cm 200 cm

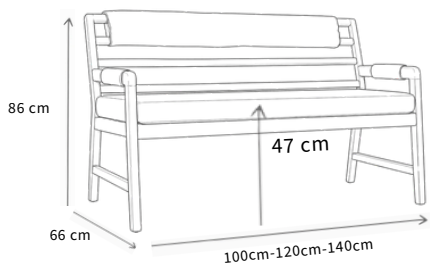


LOKI



The Loki Bench features a modern, original design with upholstered seating on a wooden base. Combining the warmth of natural wood with the comfort of fabric, it creates a perfect balance of style and comfort. It adds an elegant touch and a contemporary atmosphere to any space.

Dimension



Technical Details

Foam Density : 30 DNS
 Foam Thickness : 70mm
 Leather Thickness : 1 mm (+-0,05)
 gr/m2 550 (+-20)
 Load Capacity : 300 kg
 Weight : 20 kg

Size (length)

100 cm 120 cm 140 cm 160 cm 180 cm 200 cm

Material

Frame Wood : A-Grade
 Premium leather
 B1 certificate / hardly
 flammable
 Stain resistand luxury velvet

Leather



Velvet



CHAIR

Enhance your interior with our luxurious gastro chair, available in a variety of colors and upholstered in premium leather or velvet. Defined by its refined, high-end design, it combines exceptional durability and superior comfort with timeless elegance, making it the ideal choice for upscale restaurants, bistros, cafés, and hotel environments.



l o k i m a x i

Inspired by Scandinavian design, the Loki Maxi chair combines natural materials with a clean, contemporary aesthetic. Its carefully upholstered backrest enhances comfort while maintaining a refined and minimalist look. A perfect balance of simplicity, functionality, and comfort.



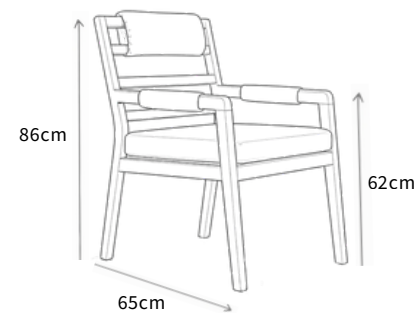
Material

Frame: A Grade Beechwood
Coating: Water-based, low-VOC, health and eco-friendly paint
Upholstery: Premium stain-resistant fabric and leather
Optional: B1 certified fire retardancy

Technical Details

Foam Density : 30 DNS
Foam Thickness : 70mm
Leather Thickness : 1 mm (+-0,05)
gr/m2 550 (+-20)
Load Capacity : 160 kg
Weight : 11.20 kg

Dimension



Leather



Patterned Leather



Velvet



ü l g e n

The Ulgen chair offers exceptional comfort, combining the support of a wing chair with a refined design that invites guests to relax and stay longer. A must-have in cafés, restaurants, and hotels, Ulgen delivers comfort, durability, and timeless style.



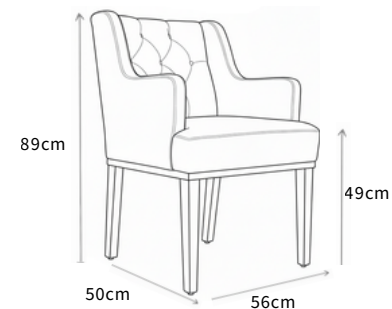
Material

Frame: A Grade Beechwood
Coating: Water-based, low-VOC, health and eco-friendly paint
Upholstery: Premium stain-resistant fabric and leather
Optional: B1 certified fire retardancy

Technical Details

Foam Density : 30 DNS
Foam Thickness : 70mm
Leather Thickness : 1 mm (+-0,05)
gr/m2 550 (+-20)
Load Capacity : 160 kg
Weight : 11.80 kg

Dimension



Leather



Patterned Leather



Velvet



v e r a

Vera combines refined comfort with robust construction. A favorite in bars, cafés, and lounges, it ensures durability and relaxed seating—ideal for demanding gastronomy environments.



Material

Frame: A Grade Beechwood
Coating: Water-based, low-VOC, health and eco-friendly paint
Upholstery: Premium stain-resistant fabric and leather
Optional: B1 certified fire retardancy

Technical Details

Foam Density : 30 DNS
Foam Thickness : 70mm
Leather Thickness : 1 mm (+-0,05) gr/m2 550 (+-20)
Load Capacity : 160 kg
Weight : 13 kg

Dimension



Leather



Patterned Leather



Velvet



t e n g r i

Tengri stands out with elegant arm details that combine visual impact with lasting comfort. A favorite in lounges, cafés, and hotel bars, it brings style, durability, and a welcoming atmosphere to any gastronomy space.



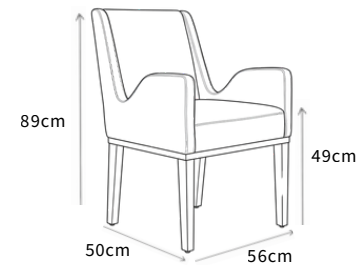
Material

Frame: A Grade Beechwood
Coating: Water-based, low-VOC, health and eco-friendly paint
Upholstery: Premium stain-resistant fabric and leather
Optional: B1 certified fire retardancy

Technical Details

Foam Density : 30 DNS
Foam Thickness : 70mm
Leather Thickness : 1 mm (+-0,05)
gr/m2 550 (+-20)
Load Capacity : 160 kg
Weight : 13 kg

Dimension



Leather



Patterned Leather



Velvet



thor

The Thor chair combines warm natural tones with a solid hardwood frame and soft upholstery. Its versatile design fits seamlessly into minimalist and rustic interiors alike.



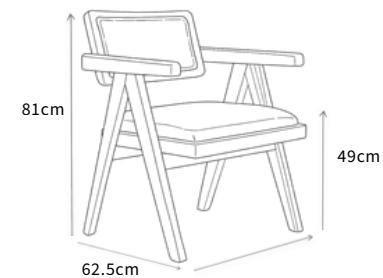
Material

Frame: A Grade Beechwood
Coating: Water-based, low-VOC, health and eco-friendly paint
Upholstery: Premium stain-resistant fabric and leather
Optional: B1 certified fire retardancy

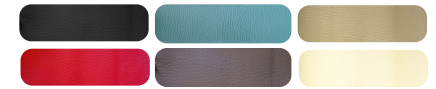
Technical Details

Foam Density : 32 DNS
Foam Thickness : 70mm
Leather Thickness : 1 mm (+-0,05)
gr/m2 550 (+-20)
Load Capacity : 160 kg
Weight : 11.80 kg

Dimension



Leather



Patterned Leather



Velvet



d i a n a

The Diana chair stands out with its strong presence and elegant design. Its solid wood construction ensures durability and lasting comfort. Ideal for high-traffic cafés, restaurants, and hotels, it brings character and strength to any space.



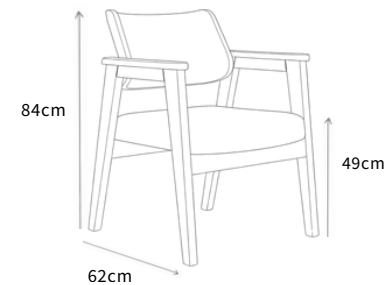
Material

Frame: A Grade Beechwood
Coating: Water-based, low-VOC, health and eco-friendly paint
Upholstery: Premium stain-resistant fabric and leather
Optional: B1 certified fire retardancy

Technical Details

Foam Density : 30 DNS
Foam Thickness : 70mm
Leather Thickness : 1 mm (+-0,05)
gr/m2 550 (+-20)
Load Capacity : 160 kg
Weight : 11.20 kg

Dimension



Leather



Patterned Leather



Velvet



t i t a n

The Titan chair combines refined luxury with an elegant design. A solid hardwood frame, premium upholstery, and finely stitched details ensure both durability and comfort—perfect for restaurants, cafés, and hotels.



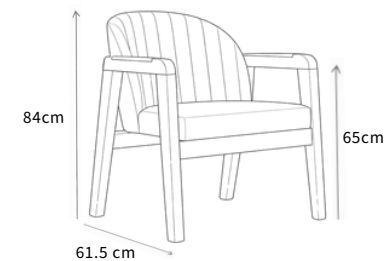
Material

Frame: A Grade Beechwood
Coating: Water-based, low-VOC, health and eco-friendly paint
Upholstery: Premium stain-resistant fabric and leather
Optional: B1 certified fire retardancy

Technical Details

Foam Density : 30 DNS
Foam Thickness : 70mm
Leather Thickness : 1 mm (+-0,05)
gr/m2 550 (+-20)
Load Capacity : 160 kg
Weight : 12 kg

Dimension



Leather



Patterned Leather



Velvet



vesta

The Vesta chair blends clean lines with premium materials to create a timeless, elegant look. Refined details highlight its modern character, while versatile customization options allow it to fit seamlessly into nice interiors — a true statement of design and quality.



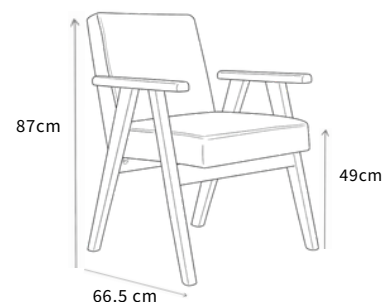
Material

Frame: A Grade Beechwood
Coating: Water-based, low-VOC, health and eco-friendly paint
Upholstery: Premium stain-resistant fabric and leather
Optional: B1 certified fire retardancy

Technical Details

Foam Density : 30 DNS
Foam Thickness : 70mm
Leather Thickness : 1 mm (+-0,05)
gr/m2 550 (+-20)
Load Capacity : 160 kg
Weight : 11.80 kg

Dimension



Leather



Patterned Leather



Velvet



a t h e n a

The ergonomic design supports long hours of sitting, while high-quality upholstery materials provide softness and comfort. Also suitable for use in gastronomy environments.



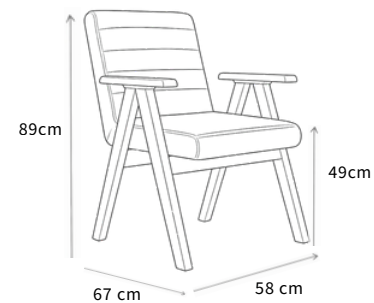
Material

Frame: A Grade Beechwood
Coating: Water-based, low-VOC, health and eco-friendly paint
Upholstery: Premium stain-resistant fabric and leather
Optional: B1 certified fire retardancy

Technical Details

Foam Density : 30 DNS
Foam Thickness : 70mm
Leather Thickness : 1 mm (+-0,05)
gr/m2 550 (+-20)
Load Capacity : 160 kg
Weight : 11 kg

Dimension



Leather



Patterned Leather



Velvet



v u l k a n

Crafted from durable hornbeam wood and finished in an elegant walnut tone, the Vulkan chair brings together tradition and contemporary style. Its refined materials and balanced design make it a versatile choice for both classic and modern interiors.



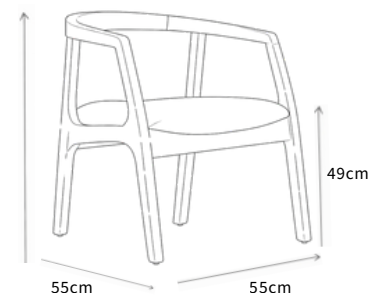
Material

Frame: A Grade Beechwood
Coating: Water-based, low-VOC, health and eco-friendly paint
Upholstery: Premium stain-resistant fabric and leather
Optional: B1 certified fire retardancy

Technical Details

Foam Density : 30 DNS
Foam Thickness : 70mm
Leather Thickness : 1 mm (+-0,05)
gr/m2 550 (+-20)
Load Capacity : 160 kg
Weight : 7.1 kg

Dimension



Leather



Patterned Leather



Velvet



vidar

The Vidar chair is designed for refined interiors that embrace natural elegance. Warm tones and rich, organic textures create a sophisticated yet inviting presence. Celebrating the authentic beauty of wood, every detail reflects craftsmanship, comfort, and a timeless sense of harmony.



Material

Frame: A Grade Beechwood
Coating: Water-based, low-VOC, health and eco-friendly paint
Upholstery: Premium stain-resistant fabric and leather
Optional: B1 certified fire retardancy

Technical Details

Foam Density : 30 DNS
Foam Thickness : 70mm
Leather Thickness : 1 mm (+-0,05)
gr/m2 550 (+-20)
Load Capacity : 160 kg
Weight : 12.20 kg

Dimension



Leather



Patterned Leather



Velvet



f l o r a

Add value to your living spaces with a chair that brings a rich, premium look and outstanding comfort — perfect for homes as well as cafés, restaurants and other gastronomy venues.



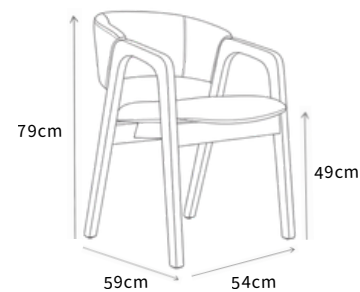
Material

Frame: A Grade Beechwood
Coating: Water-based, low-VOC, health and eco-friendly paint
Upholstery: Premium stain-resistant fabric and leather
Optional: B1 certified fire retardancy

Technical Details

Foam Density : 30 DNS
Foam Thickness : 50mm
Leather Thickness : 1 mm (+-0,05)
gr/m2 550 (+-20)
Load Capacity : 160 kg
Weight : 8.05 kg

Dimension



Leather



Patterned Leather



Velvet



artemis

Crafted from natural solid wood, this chair combines comfort, durability, and timeless elegance. Ideal for cafés, bars, lounges, and high-end gastronomy spaces.



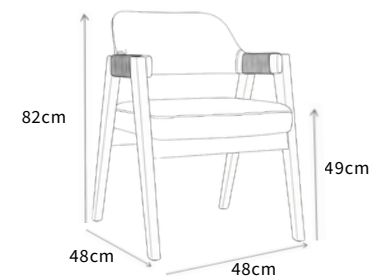
Material

Frame: A Grade Beechwood
Coating: Water-based, low-VOC, health and eco-friendly paint
Upholstery: Premium stain-resistant fabric and leather
Optional: B1 certified fire retardancy

Technical Details

Foam Density : 30 DNS
Foam Thickness : 70mm
Leather Thickness : 1 mm (+-0,05)
gr/m2 550 (+-20)
Load Capacity : 160 kg
Weight : 11.15 kg

Dimension



Leather



Patterned Leather



Velvet



p a n d o r a

Defined by elegant lines and fluid forms, the Pandora chair stands out through its contemporary design language and refined material selection. Its modern character makes it a distinctive addition to elegant interiors. A perfect choice for those who appreciate clean aesthetics and innovative design.



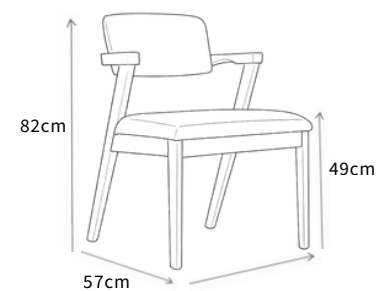
Material

Frame: A Grade Beechwood
Coating: Water-based, low-VOC, health and eco-friendly paint
Upholstery: Premium stain-resistant fabric and leather
Optional: B1 certified fire retardancy

Technical Details

Foam Density : 30 DNS
Foam Thickness : 70mm
Leather Thickness : 1 mm (+-0,05)
gr/m2 550 (+-20)
Load Capacity : 140 kg
Weight : 11.20 kg

Dimension



Leather



Patterned Leather



Velvet



h e l l a m a x i

Available in fabric or leather, it creates a warm, inviting atmosphere and blends effortlessly with both classic and modern interiors—offering flexibility for various design concepts.



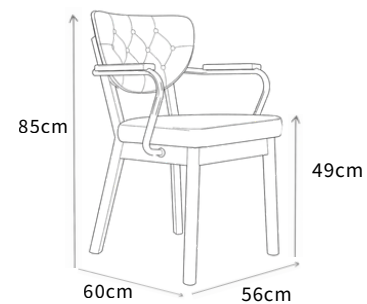
Material

Metal Frame: Electrostatic powder coating
Backrest and Armrest: Plywood (Paper)
Upholstery: Premium stain-resistant fabric and leather Optional: B1 certified fire retardancy

Technical Details

Foam Density : 30 DNS
Foam Thickness : 50mm
Leather Thickness : 1 mm (+-0,05)
gr/m2 550 (+-20)
Load Capacity : 140 kg
Weight : 8.50 kg

Dimension



Leather



Patterned Leather



Velvet



s e t h

The combination of wood and metal brings warmth, strength, and modern character to any space.

A favorite in cafés, restaurants, and trend-driven venues, it offers the perfect balance of style, durability, and everyday comfort.



Material

Metal Frame: Electrostatic powder-coated

Backrest: Plywood

Legs and Armrests: Solid Beechwood

Upholstery: Premium stain-resistant fabric and leather

Optional: B1 certified fire retardancy

Technical Details

Foam Density : 30 DNS

Foam Thickness : 70mm

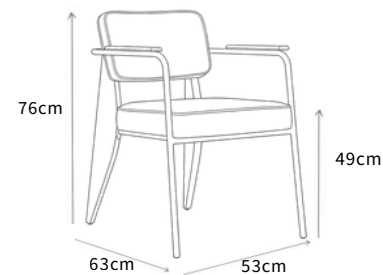
Leather Thickness : 1 mm (+-0,05)

gr/m2 550 (+-20)

Load Capacity : 140 kg

Weight : 10.15g

Dimension



Leather



Patterned Leather



Velvet



Luna

The Luna chair impresses with its elegant, flowing silhouette and refined upholstery in premium leather or velvet. A popular choice for hotels, bars, and gastronomy venues, Luna combines contemporary design with outstanding comfort and durable construction for everyday professional use.



Material

Frame: A Grade Beechwood
Coating: Water-based, low-VOC, health and eco-friendly paint
Upholstery: Premium stain-resistant fabric and leather
Optional: B1 certified fire retardancy

Technical Details

Foam Density : 30 DNS
Foam Thickness : 50mm
Leather Thickness : 1 mm (+-0,05)
gr/m2 550 (+-20)
Load Capacity : 140 kg
Weight : 7 kg

Dimension



Leather



Patterned Leather



Velvet



h a d e s

Designed for lasting comfort, Hades offers ergonomic support and a stylish presence. A top-seller in gastronomy, it combines durability, elegance, and everyday comfort—ideal for cafés, restaurants, and lounges.



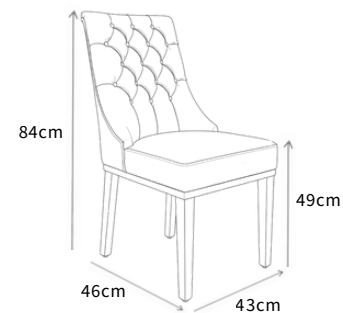
Material

Frame: A Grade Beechwood
Coating: Water-based, low-VOC, health and eco-friendly paint
Upholstery: Premium stain-resistant fabric and leather
Optional: B1 certified fire retardancy

Technical Details

Foam Density : 30 DNS
Foam Thickness : 50mm
Leather Thickness : 1 mm (+-0,05) gr/m2 550 (+-20)
Load Capacity : 160kg
Weight : 9.05 kg

Dimension



Leather



Patterned Leather



Velvet



b o h e m

Crafted from natural materials, this chair brings warmth and effortless style to any space. Its relaxed design and durable build make it ideal for homes as well as cafés and restaurants. A simple yet striking chair guests will always enjoy.



Material

Frame: A Grade Beechwood
Coating: Water-based, low-VOC, health and eco-friendly paint
Upholstery: Premium stain-resistant fabric and leather
Optional: B1 certified fire retardancy

Technical Details

Foam Density : 30 DNS
Foam Thickness : 70mm
Leather Thickness : 1 mm (+-0,05) gr/m2 550 (+-20)
Load Capacity : 140 kg
Weight : 8.55 kg

Dimension



Leather



Patterned Leather



Velvet



L o k i

The Loki chair features an armless design that saves space and allows easy movement. Its minimalist structure creates a modern, stylish look, making it a practical solution for compact spaces and comfortable table use.



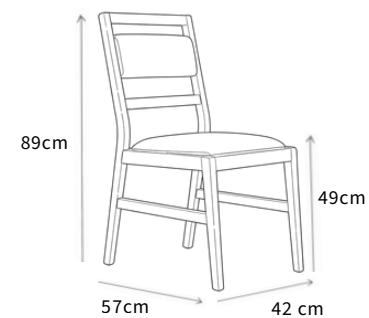
Material

Frame: A Grade Beechwood
Coating: Water-based, low-VOC, health and eco-friendly paint
Upholstery: Premium stain-resistant fabric and leather
Optional: B1 certified fire retardancy

Technical Details

Foam Density : 30 DNS
Foam Thickness : 50mm
Leather Thickness : 1 mm (+0,05)
gr/m2 550 (+20)
Load Capacity : 140 kg
Weight : 8.50 kg

Dimension



Leather



Patterned Leather



Velvet



poseidon

The Poseidon chair combines elegant metal lines with a modern design, offering both style and comfort through its curved seat. Durable and versatile, it is ideal for cafés, restaurants, and gastronomy spaces—bringing sophistication to any interior.



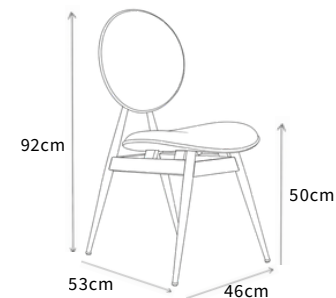
Material

Metal Frame: Electrostatic powder-coated
Backrest: Plywood
Upholstery: Premium stain-resistant fabric and leather
Optional: B1 certified fire retardancy

Technical Details

Foam Density : 30 DNS
Foam Thickness : 50mm
Leather Thickness : 1 mm (+-0,05)
gr/m2 550 (+-20)
Load Capacity : 140 kg
Weight : 7.25 kg

Dimension



Leather



Patterned Leather



Velvet



h e l l a

The Hella chair combines modern elegance with refined comfort, featuring a durable metal structure and quilted detailing. Ideal for high-end gastronomy, it offers exceptional durability, comfort, and timeless appeal.



Material

Metal Frame: Electrostatic powder-coated
Backrest: Plywood
Upholstery: Premium stain-resistant fabric and leather
Optional: B1 certified fire retardancy

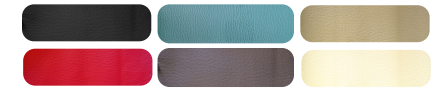
Technical Details

Foam Density : 30 DNS
Foam Thickness : 50mm
Leather Thickness : 1 mm (+-0,05)
gr/m2 550 (+-20)
Load Capacity : 140 kg
Weight : 8.50 kg

Dimension



Leather



Patterned Leather



Velvet



aten

With its elegant curved silhouette and luxurious upholstery, the Aten chair is a true statement piece. Refined back detailing enhances its sophisticated appeal. Widely used in hotels, bars, and gastronomy, Aten combines style, comfort, and lasting durability.



Material

Frame: A Grade Beechwood
Coating: Water-based, low-VOC, health and eco-friendly paint
Upholstery: Premium stain-resistant fabric and leather
Optional: B1 certified fire retardancy

Technical Details

Foam Density : 30 DNS
Foam Thickness : 70mm
Leather Thickness : 1 mm (+0,05) gr/m2 550 (+20)
Load Capacity : 160 kg
Weight : 9kg

Dimension



Leather



Patterned Leather



Velvet



m a r s

The Mars chair offers exceptional comfort, combining the support of a wing chair with a refined, modern design that invites guests to relax and stay longer. Designed for hospitality environments, Mars ensures long-lasting performance with a perfect balance of comfort and style.



Material

Frame: A Grade Beechwood
Coating: Water-based, low-VOC, health and eco-friendly paint
Upholstery: Premium stain-resistant fabric and leather
Optional: B1 certified fire retardancy

Technical Details

Foam Density : 30 DNS
Foam Thickness : 70mm
Leather Thickness : 1 mm (+-0,05)
gr/m² 550 (+-20)
Load Capacity : 160kg
Weight : 7.80 kg

Dimension



Leather



Patterned Leather



Velvet



z e u s

The Zeus chair features a curved design for ergonomic comfort, even during extended seating.

With its modern, minimalist style, it adapts effortlessly to cafés, restaurants, and lounges.



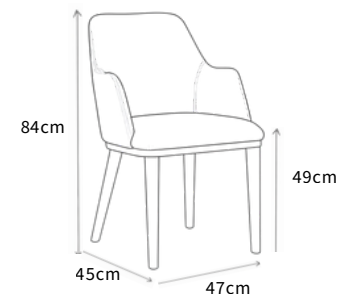
Material

Frame: A Grade Beechwood
Coating: Water-based, low-VOC, health and eco-friendly paint
Upholstery: Premium stain-resistant fabric and leather
Optional: B1 certified fire retardancy

Technical Details

Foam Density : 30 DNS
Foam Thickness : 70mm
Leather Thickness : 1 mm (+-0,05)
gr/m2 550 (+-20)
Load Capacity : 140
Weight : 7.85 kg

Dimension



Leather



Patterned Leather



Velvet



amon

The Amon chair combines durability, elegance, and comfort, making it an ideal seating solution for cafés, restaurants, and lounges. Designed for everyday use in the gastronomy sector, it's a reliable favourite among both professionals and guests.



Material

Frame: A Grade Beechwood
Coating: Water-based, low-VOC, health and eco-friendly paint
Upholstery: Premium stain-resistant fabric and leather
Optional: B1 certified fire retardancy

Technical Details

Foam Density : 30 DNS
Foam Thickness : 70mm
Leather Thickness : 1 mm (+-0,05)
gr/m2 550 (+-20)
Load Capacity : 160 kg
Weight : 7.50 kg

Dimension



Leather



Patterned Leather



Velvet



balder

Balder stands out with a bold presence and a sleek black metal frame. The upholstered seat ensures premium comfort, while its color options add a touch of elegance. Ideal for cafés, restaurants, and modern interiors, Balder blends style with versatility.



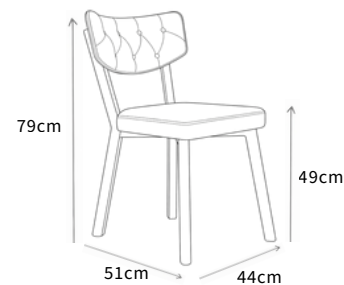
Material

Metal Frame: Electrostatic powder-coated
Backrest: Plywood
Upholstery: Premium stain-resistant fabric and leather
Optional: B1 certified fire retardancy

Technical Details

Foam Density : 32 DNS
Foam Thickness : 70mm
Leather Thickness : 1 mm (+-0,05)
gr/m2 550 (+-20)
Load Capacity : 160 kg
Weight : 6.70 kg

Dimension



Leather



Patterned Leather



Velvet



vali maxi

The Vali Maxi chair with armrests combines compact design with added comfort and support. Its ergonomic form enhances the seating experience while remaining practical for busy cafés, restaurants, lounges, and waiting areas.



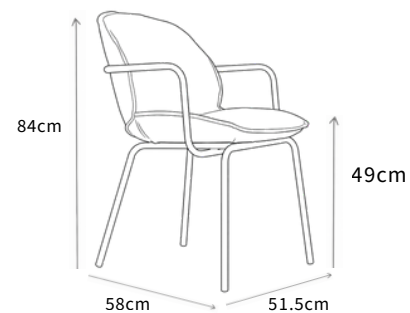
Material

Metal Frame: Electrostatic powder-coated
Backrest: Polyurethane
Upholstery: Premium stain-resistant fabric and leather
Optional: B1 certified fire retardancy

Technical Details

Foam Density : 30 DNS
Foam Thickness : 70mm
Leather Thickness : 1 mm (+-0,05)
gr/m2 550 (+-20)
Load Capacity : 140 kg
Weight : 8.50 kg

Dimension



Leather



Patterned Leather



Velvet



g a i a

Gaia chair features a wooden seat and backrest set on a sleek metal frame. The cool, modern lines of the metal are softened by the warm tones of the wood, while premium leather options add a touch of elegance and sophistication.



Material

Metal Frame: Electrostatic powder-coated
Backrest and Seat: Solid beechwood
Upholstery: Premium stain-resistant fabric and leather
Optional: B1 certified fire retardancy

Technical Details

Foam Density : 30 DNS
Foam Thickness : 30mm
Leather Thickness : 1 mm (+-0,05)
gr/m2 550 (+-20)
Load Capacity : 160
Weight : 6.95 kg

Dimension



Leather



Patterned Leather



Velvet



ares

Ares combines fine metal lines with elegant details, adding a modern touch to any space. Its ergonomic design ensures comfort, while durable materials make it ideal for restaurants, cafés, and hotels. A perfect blend of aesthetics and functionality.



Material

Metal Frame: Electrostatic powder-coated
Backrest: Plywood
Upholstery: Premium stain-resistant fabric and leather
Optional: B1 certified fire retardancy

Technical Details

Foam Density : 30 DNS
Foam Thickness : 50mm
Leather Thickness : 1 mm (+-0,05)
gr/m2 550 (+-20)
Load Capacity : 160 kg
Weight : 6.50 kg

Dimension



Leather



Patterned Leather



Velvet



apollo

Designed for performance, built for style — this chair is a proven favourite in the gastronomy world. From busy cafés to high-volume restaurants and hotel dining areas, it stands out as one of the most chosen seating solutions thanks to its durability, comfort and refined design.



Material

Metal Frame: Electrostatic powder-coated
Backrest: Plywood
Upholstery: Premium stain-resistant fabric and leather
Optional: B1 certified fire retardancy

Technical Details

Foam Density : 30DNS
Foam Thickness : 50mm
Leather Thickness : 1 mm (+-0,05)
gr/m2 550 (+-20)
Load Capacity : 140 kg
Weight : 7.25 kg

Dimension



Leather



Patterned Leather



Velvet



v a l i

The Vali chair is a smart, space-saving solution with an armless design—ideal for busy cafés, restaurants, lounges, and waiting areas. Combining functionality, comfort, and efficiency, it's a versatile choice for gastronomy and commercial spaces.



Material

Metal Frame: Electrostatic powder-coated
Backrest: Polyurethane
Upholstery: Premium stain-resistant fabric and leather
Optional: B1 certified fire retardancy

Technical Details

Foam Density : 32 DNS
Foam Thickness : 70mm
Leather Thickness : 1 mm (+-0,05)
gr/m2 550 (+-20)
Load Capacity : 140 kg
Weight : 6.40 kg

Dimension



Leather



Patterned Leather



Velvet



Lisa

An evolution of our bestseller, combining timeless elegance with exceptional comfort. Featuring a high-quality wooden frame and premium faux leather, it offers durability and refined craftsmanship.

Ideal for upscale restaurants, cafés, and bars.



Material

Frame: A Grade Beechwood
Coating: Water-based, low-VOC, health and eco-friendly paint
Upholstery: Premium stain-resistant fabric and leather
Optional: B1 certified fire retardancy

Technical Details

Foam Density : 30 DNS
Foam Thickness : 30mm
Leather Thickness : 1 mm (+-0,05) gr/m2 550 (+-20)
Load Capacity : 140kg
Weight : 7.20 kg

Dimension



Leather



Patterned Leather



Velvet



thonet

An iconic design reimaged with a durable metal frame, combining timeless elegance with modern practicality. The crafted seat adds comfort and visual appeal. A favorite in cafés, restaurants, hotels, and stylish interiors, Thonet represents quality, tradition, and lasting design.



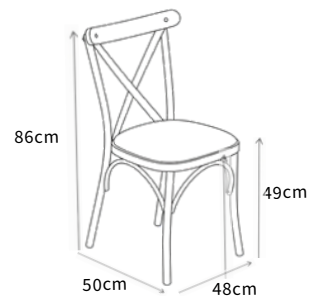
Material

Metal Frame: Electrostatic powder-coated Backrest and X: Solid beechwood Upholstery: Premium stain-resistant fabric and leather Optional: B1 certified fire retardancy

Technical Details

Foam Density : 30 DNS
Foam Thickness : 30mm
Leather Thickness : 1 mm (+-0,05) gr/m2 550 (+-20)
Load Capacity : 140 kg
Weight : 6.25 kg

Dimension



Leather



Patterned Leather



Velvet



BAR CHAIRS

Elegant, stylish, and modern, these bar stools impress with both their sophisticated appearance and exceptional comfort. The combination of wooden and metal legs, along with a dynamic design, gives each stool a chic, contemporary look that fits seamlessly into a variety of interiors. The ergonomically shaped backrest and high-quality seat upholstery ensure a comfortable, body-hugging sitting experience every time.



Ülgen

The Ülgen bar chair combines modern elegance with exceptional comfort. Its refined design and high-quality upholstery create a sophisticated look. Built for professional use, it offers durability and lasting comfort—ideal for bars, restaurants, and hotels.



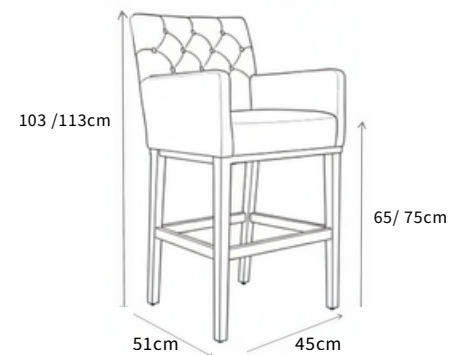
Material

Frame: A Grade Beechwood
Coating: Water-based, low-VOC, health and eco-friendly paint
Upholstery: Premium stain-resistant fabric and leather
Optional: B1 certified fire retardancy

Technical Details

Foam Density : 30 DNS
Foam Thickness : 70mm
Leather Thickness : 1 mm (+-0,05) gr/m2 550 (+-20)
Load Capacity : 160 kg
Weight : 12 kg

Dimension



Leather



Patterned Leather



Velvet



v e r a

Warm, relaxing, and inviting in its elegant design, Vera Bar brings a welcoming atmosphere to any space. As a top seller in the gastronomy sector, it combines refined aesthetics with outstanding comfort, making it a preferred choice for stylish hospitality environments.



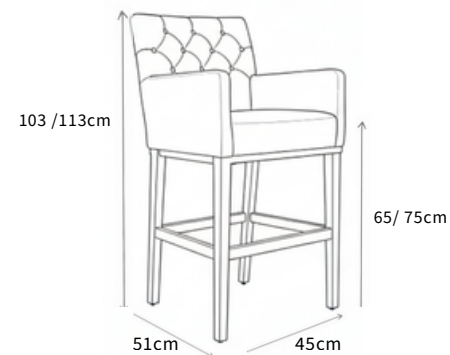
Material

Frame: A Grade Beechwood
Coating: Water-based, low-VOC, health and eco-friendly paint
Upholstery: Premium stain-resistant fabric and leather
Optional: B1 certified fire retardancy

Technical Details

Foam Density : 30 DNS
Foam Thickness : 70mm
Leather Thickness : 1 mm (+-0,05)
gr/m2 550 (+-20)
Load Capacity : 160 kg
Weight : 12kg

Dimension



Leather



Patterned Leather



Velvet



tengri

Tengri Bar features a distinctive design with elegant arm details that enhance both comfort and visual appeal. Ideal for gastronomy spaces, it offers exceptional comfort and refined style for a premium seating experience.



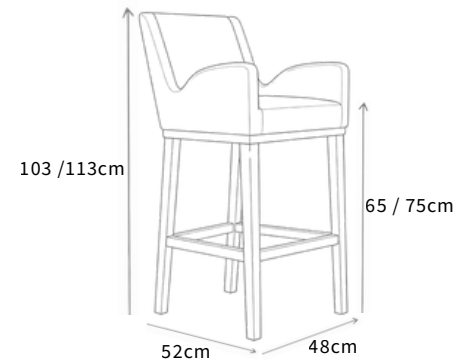
Material

Frame: A Grade Beechwood
Coating: Water-based, low-VOC, health and eco-friendly paint
Upholstery: Premium stain-resistant fabric and leather
Optional: B1 certified fire retardancy

Technical Details

Foam Density : 32 DNS
Foam Thickness : 70mm
Leather Thickness :1 mm (+-0,05)
gr/m2 550 (+-20)
Load Capacity : 160 kg
Weight : 15 kg

Dimension



Leather



Patterned Leather



Velvet



l o k i b a r

The natural beauty of solid hardwood combines with elegant black accents to create a modern bar chair suited for any space. A variety of fabric options allows it to match different interiors and personal preferences with ease.



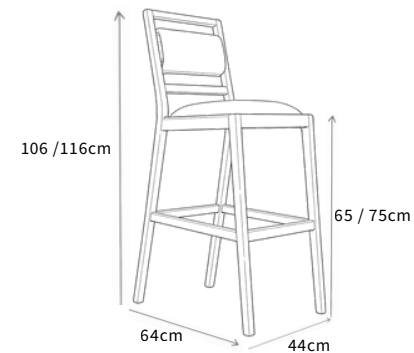
Material

Frame: A Grade Beechwood
Coating: Water-based, low-VOC, health and eco-friendly paint
Upholstery: Premium stain-resistant fabric and leather
Optional: B1 certified fire retardancy

Technical Details

Foam Density : 30 DNS
Foam Thickness : 50mm
Leather Thickness : 1 mm (+-0,05) gr/m2 550 (+-20)
Load Capacity : 160 kg
Weight : 10 kg

Dimension



Leather



Patterned Leather



Velvet



h a d e s

With its strong presence and clean lines, Hades Bar brings modern elegance to any space. Its robust construction ensures durability—ideal for sophisticated gastronomy and hospitality environments.



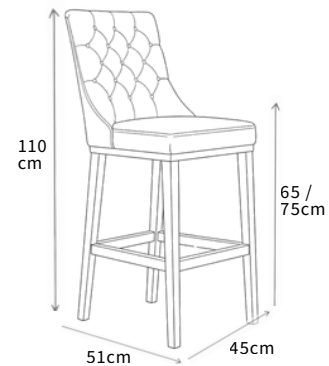
Material

Frame: A Grade Beechwood
Coating: Water-based, low-VOC, health and eco-friendly paint
Upholstery: Premium stain-resistant fabric and leather
Optional: B1 certified fire retardancy

Technical Details

Foam Density : 30 DNS
Foam Thickness : 50mm
Leather Thickness : 1 mm (+-0,05)
gr/m2 550 (+-20)
Load Capacity : 160 kg
Weight : 12 Kg

Dimension



Leather



Patterned Leather



Velvet



i d u n

The Idun metal bar chair combines modern style with refined craftsmanship. Upholstered in high-quality leather, fabric, or corduroy, it offers a distinctive and elegant look. Its metal structure ensures durability, making it ideal for both modern and classic interiors.



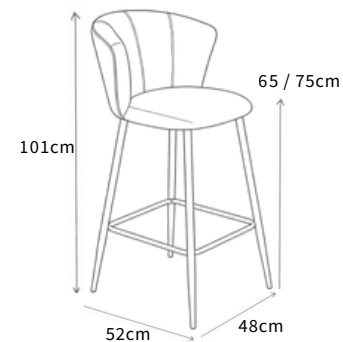
Material

Metal Frame: Electrostatic powder-coated
Backrest: Plywood
Upholstery: Premium stain-resistant fabric and leather
Optional: B1 certified fire retardancy

Technical Details

Foam Density : 30 DNS
Foam Thickness : 50mm
Leather Thickness : 1 mm (+-0,05)
gr/m2 550 (+-20)
Load Capacity : 160 kg
Weight : 9 kg

Dimension



Leather



Patterned Leather



Velvet



h e l l a

Customizable with a wood-look metal frame, Hella Bar combines the warmth of wood with the durability of metal. Available in a wide range of leather and velvet colors, it creates a striking focal point in any bar or gastronomy setting.



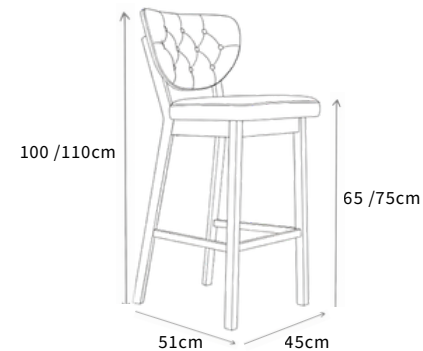
Material

Metal Frame: Electrostatic powder-coated
Backrest: Plywood
Upholstery: Premium stain-resistant fabric and leather
Optional: B1 certified fire retardancy

Technical Details

Foam Density : 30 DNS
Foam Thickness : 50mm
Leather Thickness : 1 mm (+-0,05)
gr/m2 550 (+-20)
Load Capacity : 160 kg
Weight : 9 kg

Dimension



Leather



Patterned Leather



Velvet



g a i a

Gaia Bar embodies distinctive luxury for premium pub and bar interiors. Its sculptural design is defined by a refined blend of premium leather, natural wood, and precision-crafted metal. Created for exclusive spaces, it's a statement piece that reflects character, elegance, and lasting quality.



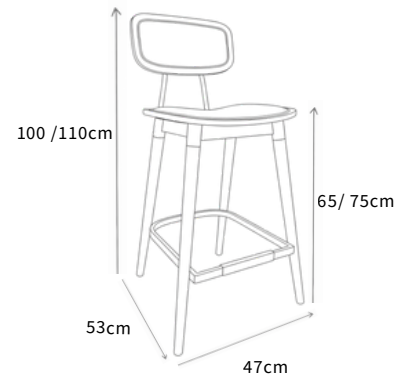
Material

Metal Frame: Electrostatic powder-coated
Backrest and Seat: Solid beechwood
Upholstery: Premium stain-resistant fabric and leather
Optional: B1 certified fire retardancy

Technical Details

Foam Density : 30 DNS
Foam Thickness : 30mm
Leather Thickness : 1 mm (+-0,05)
gr/m2 550 (+-20)
Load Capacity : 160 kg
Weight : 8,50 kg

Dimension



Leather



Patterned Leather



Velvet



l i s a

A top-selling favorite in hospitality, Lisa combines modern elegance with outstanding comfort—ideal for bars and upscale venues. Built for heavy-duty use, it ensures durability and reliable performance over time.



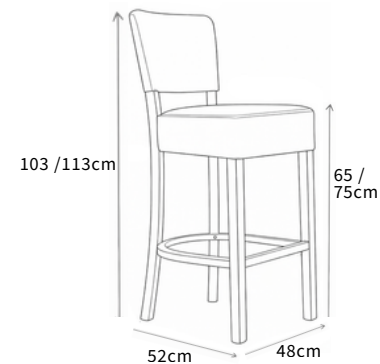
Material

Frame: A Grade Beechwood
Coating: Water-based, low-VOC, health and eco-friendly paint
Upholstery: Premium stain-resistant fabric and leather
Optional: B1 certified fire retardancy

Technical Details

Foam Density : 30 DNS
Foam Thickness : 30mm
Leather Thickness : 1 mm (+-0,05) gr/m2 550 (+-20)
Load Capacity : 140 kg
Weight : 8.75 kg

Dimension



Leather



Patterned Leather



Velvet



thonet

The iconic blend of metal and wood makes Thonet Bar both stylish and functional. Ideal for bar and dining areas, it creates a cohesive look and adds a distinctive touch to any gastronomy space.



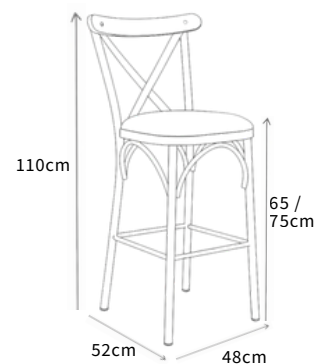
Material

Metal Frame: Electrostatic powder-coated Backrest and X: Solid beechwood Upholstery: Premium stain-resistant fabric and leather Optional: B1 certified fire retardancy

Technical Details

Foam Density : 30 DNS
Foam Thickness : 30mm
Leather Thickness : 1 mm (+-0,05) gr/m2 550 (+-20)
Load Capacity : 160 kg
Weight : 9 kg

Dimension



Leather



Patterned Leather



Velvet



ARTISANAL DRINKS

MAKING IS POSSIBLE

CARRIES DO...
...PLATED...
...CINQUE...
...with corn...

P O U F S

With our ***Cubic seat cubes***, any space issue is solved in an instant. They can be stored compactly, used flexibly, and are ready whenever needed. Available in various colors and finishes - optionally with a high-quality base plinth in black and Inox - they combine functionality with stylish design and create a welcoming atmosphere.



V E N U S

Compact, flexible, and ready to use, Cubic seat cubes are a smart solution for any space. Available in various colors and finishes—with optional black or Inox base—they combine functionality with modern style.



FULL



BASE BLACK



BASE INOX

Leather



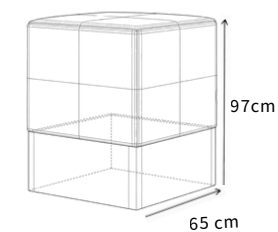
Material

Frame: Wood
Premium leather
B1 certificate / hardly flammable
Stain resistant luxury velvet

Technical Details

Foam Density : 30 DNS
Foam Thickness : 50mm
Leather Thickness : 1 mm (+-0,05)
gr/m2 550 (+-20)
Load Capacity : 140 kg
Weight : 14 kg

Dimension



p o u f

Subtle, space-saving, comfortable, and versatile. When combined with corner elements, it creates flexible seating solutions for modern hospitality and lounge environments.

Durable and ideal for everyday use.



saturn



jupiter

Leather



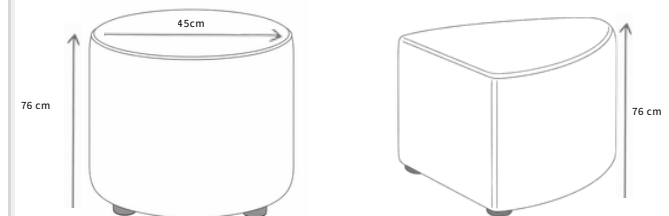
Material

Frame: Wood
Premium leather
B1 certificate / hardly flammable
Stain resistant luxury velvet

Technical Details

Foam Density : 30 DNS
Foam Thickness : 50mm
Leather Thickness : 1 mm (+-0,05)
gr/m2 550 (+-20)
Load Capacity : 140 kg
Weight : 14 kg

Dimension



A modern bistro interior featuring round tables with light-colored tops and black metal bases. The tables are surrounded by black chairs with dark leather upholstery. The room is lit by black pendant lamps hanging from the ceiling. The floor is made of light-colored wood tiles. The background shows a counter area with a potted plant and a window with a view of the outdoors.

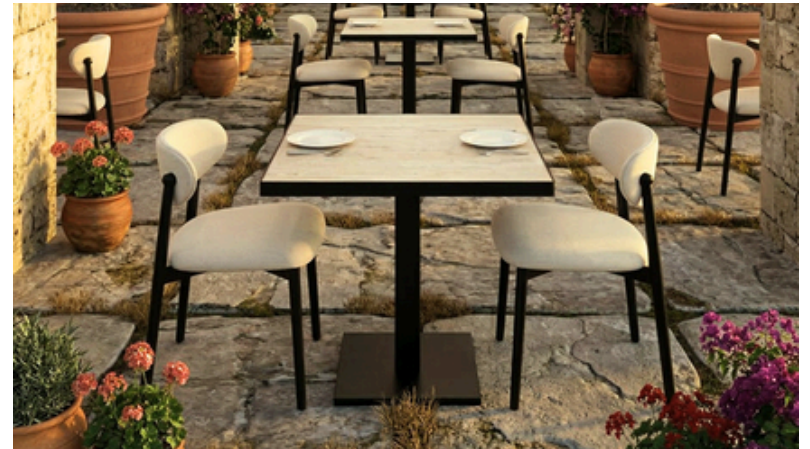
B I S T R O T A B L E S

Our bistro tables are far more than simple furnishings – they represent quality and style in the hospitality sector. The restaurant tables from Savilva are available in various colors as well as with natural or black edges and, when combined with matching robust table bases, are the ideal choice for operators of restaurants, bars, and cafés. They impress with durable materials, an appealing design, and are specifically engineered to withstand the daily demands of professional hospitality use over the long term.

delta | travertine

The bistro tables by Savilva combine stylish design with high durability for professional use. Available in various colors as well as with natural or black edges, they adapt perfectly to any hospitality concept.

Paired with robust table bases, they offer long-lasting quality for restaurants, bars, and cafés.



EDGE NATURE



EDGE BLACK

Materials

Material: Melamine-faced chipboard
HPL coated
ABS edges: 1mm (rounded)
Frame: steel, high-quality powder-coated

Technical Details

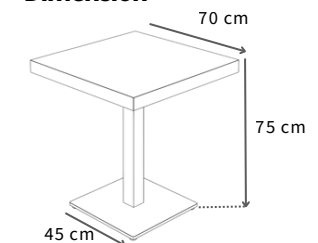
Table top Colour: Travertine
Thickness: 36 mm
Suitable for: Indoor use

Base plate: 45x45 cm
Total height: 75 cm
Total Weight: 15 kg

Sizes (Length)

60 x 60 cm 70 x 70 cm 80 x 80 cm

Dimension



delta | walnut

The bistro tables by Savilva combine stylish design with high durability for professional use. Available in various colors as well as with natural or black edges, they adapt perfectly to any hospitality concept. Paired with robust table bases, they offer long-lasting quality for restaurants, bars, and cafés.



EDGE NATURE



EDGE BLACK

Materials

Material: Melamine-faced chipboard
HPL coated
ABS edges: 1mm (rounded)
Frame: steel, high-quality powder-coated

Technical Details

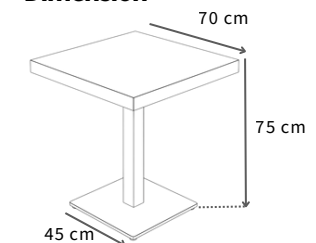
Table top Colour: Walnut
Thickness: 36 mm
Suitable for: Indoor use

Base plate: 45x45 cm
Total height: 75 cm
Total Weight: 15 kg

Sizes (Length)

60 x 60 cm 70 x 70 cm 80 x 80 cm

Dimension



delta | black-white

The bistro tables by Savilva combine stylish design with high durability for professional use. Available in various colors as well as with natural or black edges, they adapt perfectly to any hospitality concept. Paired with robust table bases, they offer long-lasting quality for restaurants, bars, and cafés.



EDGE BLACK



EDGE NATURE

Materials

Material: Melamine-faced chipboard
HPL coated
ABS edges: 1mm (rounded)
Frame: steel, high-quality powder-coated

Technical Details

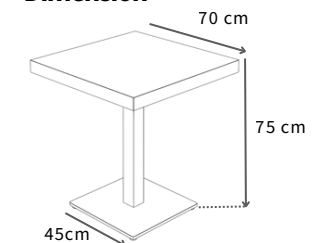
Table top Colour: Black-White
Thickness: 36 mm
Suitable for: Indoor use

Base plate: 45x45 cm
Total height: 75 cm
Total Weight: 15 kg

Sizes (Length)

60 x 60 cm 70 x 70 cm 80 x 80 cm

Dimension



delta | anthracite

The bistro tables by Savilva combine stylish design with high durability for professional use. Available in various colors as well as with natural or black edges, they adapt perfectly to any hospitality concept. Paired with robust table bases, they offer long-lasting quality for restaurants, bars, and cafés.



EDGE NATURE



EDGE BLACK

Materials

Material: Melamine-faced chipboard
HPL coated
ABS edges: 1mm (rounded)
Frame: steel, high-quality powder-coated

Technical Details

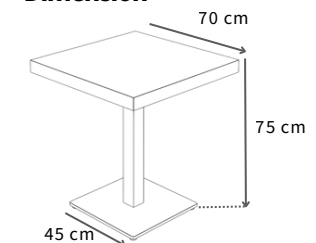
Table top Colour: Anthracite
Thickness: 36 mm
Suitable for: Indoor use

Base plate: 45x45 cm
Total height: 75 cm
Total Weight: 15 kg

Sizes (Length)

60 x 60 cm 70 x 70 cm 80 x 80 cm

Dimension



delta | pekin

The bistro tables by Savilva combine stylish design with high durability for professional use. Available in various colors as well as with natural or black edges, they adapt perfectly to any hospitality concept. Paired with robust table bases, they offer long-lasting quality for restaurants, bars, and cafés.



EDGE NATURE



EDGE BLACK

Materials

Material: Melamine-faced chipboard
HPL coated
ABS edges: 1mm (rounded)
Frame: steel, high-quality powder-coated

Technical Details

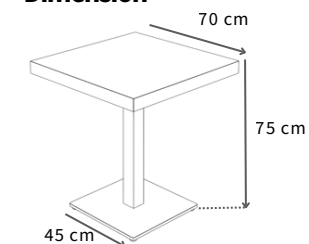
Table top Colour: Pekin
Thickness: 36 mm
Suitable for: Indoor use

Base plate: 45x45 cm
Total height: 75 cm
Total Weight: 15 kg

Sizes (Length)

60 x 60 cm 70 x 70 cm 80 x 80 cm

Dimension



delta | marble black

The bistro tables by Savilva combine stylish design with high durability for professional use. Available in various colors as well as with natural or black edges, they adapt perfectly to any hospitality concept. Paired with robust table bases, they offer long-lasting quality for restaurants, bars, and cafés.



EDGE NATURE



EDGE BLACK

Materials

Material: Melamine-faced chipboard
HPL coated
ABS edges: 1mm (rounded)
Frame: steel, high-quality powder-coated

Technical Details

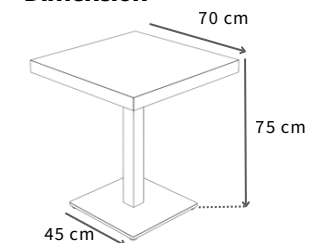
Table top Colour: Marble Black
Thickness: 36 mm
Suitable for: Indoor use

Base plate: 45x45 cm
Total height: 75 cm
Total Weight: 15 kg

Sizes (Length)

60 x 60 cm 70 x 70 cm 80 x 80 cm

Dimension



delta | marble white

The bistro tables by Savilva combine stylish design with high durability for professional use. Available in various colors as well as with natural or black edges, they adapt perfectly to any hospitality concept. Paired with robust table bases, they offer long-lasting quality for restaurants, bars, and cafés.



EDGE NATURE



EDGE BLACK

Materials

Material: Melamine-faced chipboard
HPL coated
ABS edges: 1mm (rounded)
Frame: steel, high-quality powder-coated

Technical Details

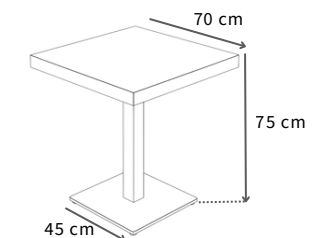
Table top Colour: Marble White
Thickness: 36 mm
Suitable for: Indoor use

Base plate: 45x45 cm
Total height: 75 cm
Total Weight: 15 kg

Sizes (Length)

60 x 60 cm 70 x 70 cm 80 x 80 cm

Dimension



delta | travertine

The bistro tables by Savilva combine stylish design with high durability for professional use. Available in various colors as well as with natural or black edges, they adapt perfectly to any hospitality concept. Paired with robust table bases, they offer long-lasting quality for restaurants, bars, and cafés.



EDGE NATURE



EDGE BLACK

Materials

Material: Melamine-faced chipboard
HPL coated
ABS edges: 1mm (rounded)
Frame: steel, high-quality powder-coated

Technical Details

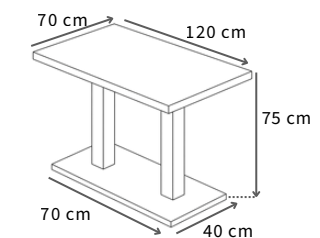
Table top Colour: Travertine
Thickness: 36 mm
Suitable for: Indoor use

Base plate: 40x70 cm
Total height: 75 cm
Total Weight: 28 kg

Sizes (Length)

120 x 70 cm 130 x 80 cm

Dimension



delta | walnut

The bistro tables by Savilva combine stylish design with high durability for professional use. Available in various colors as well as with natural or black edges, they adapt perfectly to any hospitality concept. Paired with robust table bases, they offer long-lasting quality for restaurants, bars, and cafés.



EDGE NATURE



EDGE BLACK

Materials

Material: Melamine-faced chipboard
HPL coated
ABS edges: 1mm (rounded)
Frame: steel, high-quality powder-coated

Technical Details

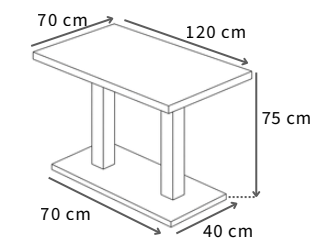
Table top Colour: Walnut
Thickness: 36 mm
Suitable for: Indoor use

Base plate: 40x70 cm
Total height: 75 cm
Total Weight: 28 kg

Sizes (Length)

120 x 70 cm 130 x 80 cm

Dimension



delta | black-white

The bistro tables by Savilva combine stylish design with high durability for professional use. Available in various colors as well as with natural or black edges, they adapt perfectly to any hospitality concept. Paired with robust table bases, they offer long-lasting quality for restaurants, bars, and cafés.



EDGE BLACK



EDGE NATURE

Materials

Material: Melamine-faced chipboard
HPL coated
ABS edges: 1mm (rounded)
Frame: steel, high-quality powder-coated

Technical Details

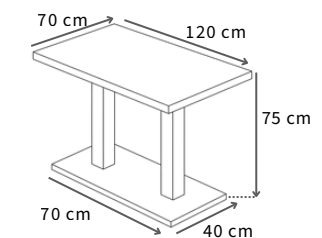
Table top Colour: Black-White
Thickness: 36 mm
Suitable for: Indoor use

Base plate: 40x70 cm
Total height: 75 cm
Total Weight: 28 kg

Sizes (Length)

120 x 70 cm 130 x 80 cm

Dimension



delta | anthracite

The bistro tables by Savilva combine stylish design with high durability for professional use. Available in various colors as well as with natural or black edges, they adapt perfectly to any hospitality concept. Paired with robust table bases, they offer long-lasting quality for restaurants, bars, and cafés.



EDGE NATURE



EDGE BLACK

Materials

Material: Melamine-faced chipboard
HPL coated
ABS edges: 1mm (rounded)
Frame: steel, high-quality powder-coated

Technical Details

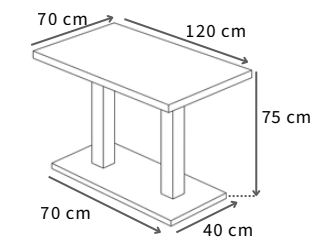
Table top Colour: Anthracite
Thickness: 36 mm
Suitable for: Indoor use

Base plate: 40x70 cm
Total height: 75 cm
Total Weight: 28 kg

Sizes (Length)

120 x 70 cm 130 x 80 cm

Dimension



delta | pekin

The bistro tables by Savilva combine stylish design with high durability for professional use. Available in various colors as well as with natural or black edges, they adapt perfectly to any hospitality concept.

Paired with robust table bases, they offer long-lasting quality for restaurants, bars, and cafés.



EDGE NATURE



EDGE BLACK

Materials

Material: Melamine-faced chipboard
HPL coated
ABS edges: 1mm (rounded)
Frame: steel, high-quality powder-coated

Technical Details

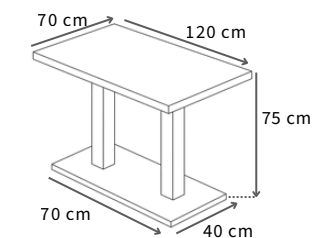
Table top Colour: Pekin
Thickness: 36 mm
Suitable for: Indoor use

Base plate: 40x70 cm
Total height: 75 cm
Total Weight: 28 kg

Sizes (Length)

120 x 70 cm 130 x 80 cm

Dimension



delta | marble black

The bistro tables by Savilva combine stylish design with high durability for professional use. Available in various colors as well as with natural or black edges, they adapt perfectly to any hospitality concept. Paired with robust table bases, they offer long-lasting quality for restaurants, bars, and cafés.



EDGE NATURE



EDGE BLACK

Materials

Material: Melamine-faced chipboard
HPL coated
ABS edges: 1mm (rounded)
Frame: steel, high-quality powder-coated

Technical Details

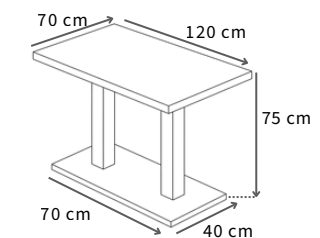
Table top Colour: Marble Black
Thickness: 36 mm
Suitable for: Indoor use

Base plate: 40x70 cm
Total height: 75 cm
Total Weight: 28 kg

Sizes (Length)

120 x 70 cm 130 x 80 cm

Dimension



delta | marble white

The bistro tables by Savilva combine stylish design with high durability for professional use. Available in various colors as well as with natural or black edges, they adapt perfectly to any hospitality concept. Paired with robust table bases, they offer long-lasting quality for restaurants, bars, and cafés.



EDGE NATURE



EDGE BLACK

Materials

Material: Melamine-faced chipboard
HPL coated
ABS edges: 1mm (rounded)
Frame: steel, high-quality powder-coated

Technical Details

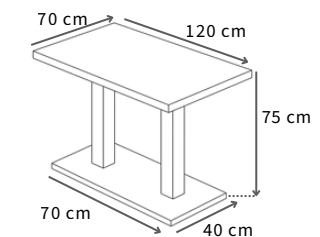
Table top Colour: Marble White
Thickness: 36 mm
Suitable for: Indoor use

Base plate: 40x70 cm
Total height: 75 cm
Total Weight: 28 kg

Sizes (Length)

120 x 70 cm 130 x 80 cm

Dimension



t h e t a | t r a v e r t i n e

The bistro tables by Savilva combine stylish design with high durability for professional use. Available in various colors as well as with natural or black edges, they adapt perfectly to any hospitality concept. Paired with robust table bases, they offer long-lasting quality for restaurants, bars, and cafés.



EDGE NATURE



EDGE BLACK

Materials

Material: Melamine-faced chipboard
HPL coated
ABS edges: 1mm (rounded)
Frame: steel, high-quality powder-coated

Technical Details

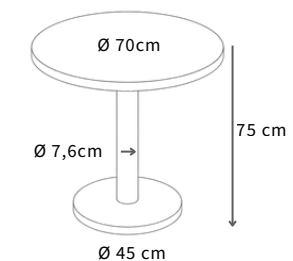
Table top Colour: Travertine
Thickness: 36 mm
Suitable for: Indoor use

Base plate: 45 cm
Total height: 75 cm
Total Weight: 14 kg

Sizes (Length)

Ø 60cm Ø 70cm Ø 80cm

Dimension



t h e t a | w a l n u t

The bistro tables by Savilva combine stylish design with high durability for professional use. Available in various colors as well as with natural or black edges, they adapt perfectly to any hospitality concept. Paired with robust table bases, they offer long-lasting quality for restaurants, bars, and cafés.



EDGE NATURE



EDGE BLACK

Materials

Material: Melamine-faced chipboard
HPL coated
ABS edges: 1mm (rounded)
Frame: steel, high-quality powder-coated

Technical Details

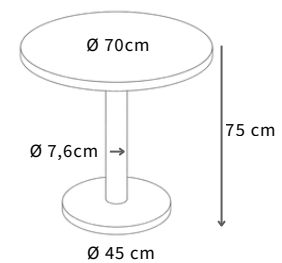
Table top Colour: Walnut
Thickness: 36 mm
Suitable for: Indoor use

Base plate: 45 cm
Total height: 75 cm
Total Weight: 14 kg

Sizes (Length)

Ø 60cm Ø 70cm Ø 80cm

Dimension



theta | black-white

The bistro tables by Savilva combine stylish design with high durability for professional use. Available in various colors as well as with natural or black edges, they adapt perfectly to any hospitality concept. Paired with robust table bases, they offer long-lasting quality for restaurants, bars, and cafés.



EDGE NATURE



EDGE NATURE

Materials

Material: Melamine-faced chipboard
HPL coated
ABS edges: 1mm (rounded)
Frame: steel, high-quality powder-coated

Technical Details

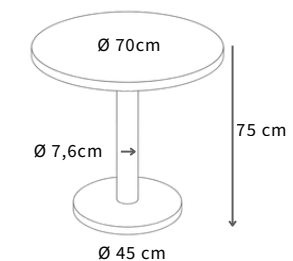
Table top Colour: Black-White
Thickness: 36 mm
Suitable for: Indoor use

Base plate: 45 cm
Total height: 75 cm
Total Weight: 14 kg

Sizes (Length)

Ø 60cm Ø 70cm Ø 80cm

Dimension



theta | anthracite

The bistro tables by Savilva combine stylish design with high durability for professional use. Available in various colors as well as with natural or black edges, they adapt perfectly to any hospitality concept. Paired with robust table bases, they offer long-lasting quality for restaurants, bars, and cafés.



EDGE NATURE



EDGE BLACK

Materials

Material: Melamine-faced chipboard
HPL coated
ABS edges: 1mm (rounded)
Frame: steel, high-quality powder-coated

Technical Details

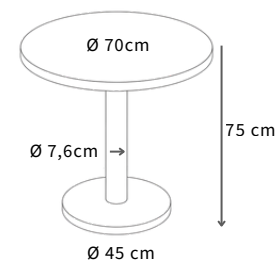
Table top Colour: Anthracite
Thickness: 36 mm
Suitable for: Indoor use

Base plate: 45 cm
Total height: 75 cm
Total Weight: 14 kg

Sizes (Length)

Ø 60cm Ø 70cm Ø 80cm

Dimension



t h e t a | p e k i n

The bistro tables by Savilva combine stylish design with high durability for professional use. Available in various colors as well as with natural or black edges, they adapt perfectly to any hospitality concept. Paired with robust table bases, they offer long-lasting quality for restaurants, bars, and cafés.



EDGE NATURE



EDGE BLACK

Materials

Material: Melamine-faced chipboard
HPL coated
ABS edges: 1mm (rounded)
Frame: steel, high-quality powder-coated

Technical Details

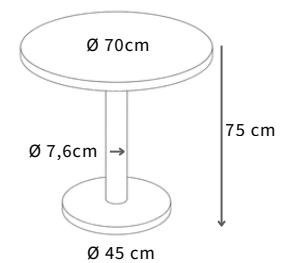
Table top Colour: Pekin
Thickness: 36 mm
Suitable for: Indoor use

Base plate: 45 cm
Total height: 75 cm
Total Weight: 14 kg

Sizes (Length)

Ø 60cm Ø 70cm Ø 80cm

Dimension



t h e t a | m a r b l e b l a c k

The bistro tables by Savilva combine stylish design with high durability for professional use. Available in various colors as well as with natural or black edges, they adapt perfectly to any hospitality concept. Paired with robust table bases, they offer long-lasting quality for restaurants, bars, and cafés.



EDGE NATURE



EDGE BLACK

Materials

Material: Melamine-faced chipboard
HPL coated
ABS edges: 1mm (rounded)
Frame: steel, high-quality powder-coated

Technical Details

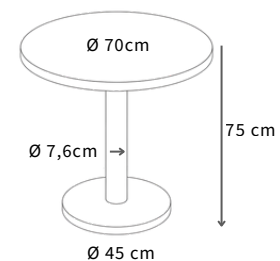
Table top Colour: Marble Black
Thickness: 36 mm
Suitable for: Indoor use

Base plate: 45 cm
Total height: 75 cm
Total Weight: 14 kg

Sizes (Length)

Ø 60cm Ø 70cm Ø 80cm

Dimension



t h e t a | m a r b l e w h i t e

The bistro tables by Savilva combine stylish design with high durability for professional use. Available in various colors as well as with natural or black edges, they adapt perfectly to any hospitality concept. Paired with robust table bases, they offer long-lasting quality for restaurants, bars, and cafés.



EDGE NATURE



EDGE BLACK

Materials

Material: Melamine-faced chipboard
HPL coated
ABS edges: 1mm (rounded)
Frame: steel, high-quality powder-coated

Technical Details

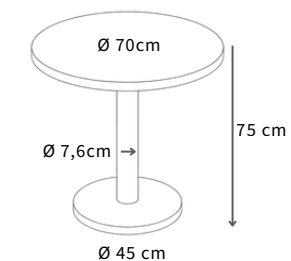
Table top Colour: Marble White
Thickness: 36 mm
Suitable for: Indoor use

Base plate: 45 cm
Total height: 75 cm
Total Weight: 14 kg

Sizes (Length)

Ø 60cm Ø 70cm Ø 80cm

Dimension



T A B L E B A S E

Our metal table bases combine maximum durability with a modern, timeless design. Built for professional use in restaurants, cafés, bars, and hotels, they feature robust construction and a long-lasting powder-coated finish.

High-quality steel ensures excellent stability and load capacity, even with intensive daily use. Available in various designs, colors, and sizes, they pair seamlessly with different tabletops to suit any interior.



Tuna

The Tuna bistro table frame combines elegant design with durable steel construction. Its slim column and stable base ensure reliability, while the powder-coated finish provides corrosion resistance and a refined look—ideal for cafés, bistros, and restaurants.



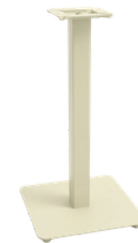
White



Beige



Ivory



Copper



Gold



Anthracite



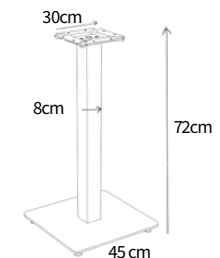
Material

Premium all-metal construction
High-quality electrostatic powder coating
Durable and long-lasting structure

Technical Details

Total Height: 72 cm
Base Plate: 45 × 45 cm (8 mm thickness – 8.2 kg)
Top Mounting Plate: 30 × 30 cm (2.5 mm thickness)
Profile Dimension: 80 × 80 × 2 mm
Total Weight: 11.35 kg

Dimension



Altay

The Altay bistro table frame combines timeless design with durable steel construction. Its refined silhouette and powder-coated finish ensure stability and lasting performance—ideal for hospitality spaces.



White



Beige



Ivory



Copper



Gold



Anthracite



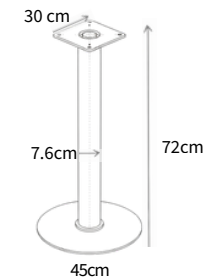
Material

Premium all-metal construction
High-quality electrostatic powder coating
Durable and long-lasting structure

Technical Details

Total Height: 72 cm
Base Plate: Ø 45cm (8 mm thickness - 6.5 kg)
Top Mounting Plate: 30x 30 cm (2.5 mm thickness)
Profile Dimension: Ø 7.6 cm x 1.5 mm
Total Weight: 10.25 kg

Dimension



A y a z

Crafted from high-quality, powder-coated steel, the Ayaz table frame combines refined aesthetics with exceptional strength. Its solid construction ensures durability and stability, while the corrosion-resistant finish adds a modern, elegant touch—ideal for professional hospitality use.



White



Beige



Ivory



Copper



Gold



Anthracite



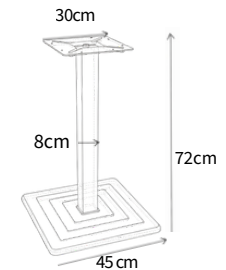
Material

Premium all-metal construction
High-quality electrostatic powder coating
Durable and long-lasting structure

Technical Details

Total Height: 72 cm
Base Plate: 45 × 45 cm (6 mm thickness – 5.6 kg)
Top Mounting Plate: 30 × 30 cm (2.5 mm thickness)
Profile Dimension: 80 × 80 × 2 mm
Total Weight: 9.75 kg

Dimension



M e f t u n

The Meftun restaurant table frame combines refined design with smart functionality. Its black powder-coated finish adds timeless elegance, while the round, decorative base brings a subtle touch of exclusivity. With integrated floor-leveling screws, it ensures stability and balance—even on uneven surfaces.



White



Beige



Ivory



Copper



Gold



Anthracite



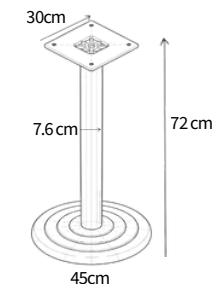
Material

Premium all-metal construction
High-quality electrostatic powder coating
Durable and long-lasting structure

Technical Details

Total Height: 72 cm
Base Plate: Ø 45 cm (6 mm thickness - 5.25 kg)
Top Mounting Plate: 30 × 30 cm (2.5 mm thickness)
Profile Dimension: Ø 7.6 cm × 1.5 mm
Total Weight: 8 kg

Dimension



B ü g e

A top-selling choice, this bistro table base combines modern design with durable powder-coated steel. Its elegant oval base ensures stability, while its corrosion-resistant finish guarantees long-lasting performance—ideal for restaurants, cafés, bars, and outdoor use.



White



Beige



Ivory



Copper



Gold



Anthracite



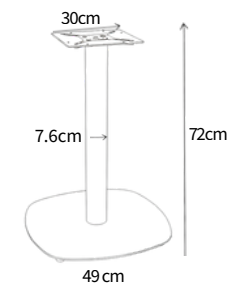
Material

Premium all-metal construction
High-quality electrostatic powder coating
Durable and long-lasting structure

Technical Details

Total Height: 72 cm
Base Plate: 49 × 49 cm (8 mm thickness – 10.35 kg)
Top Mounting Plate: 30 × 30 cm (2.5 mm thickness)
Profile Dimension: Ø 7,6 × 1.5 mm
Total Weight: 13.15 kg

Dimension



K a m a n

The Kaman Bistro table frame combines modern design with outstanding functionality—ideal for any hospitality setting. Its clean, refined look suits restaurants, bars, and cafés alike. With a stable base and versatile design, it offers a reliable foundation for bistro tables, delivering lasting durability with everyday practicality and style.



White



Beige



Ivory



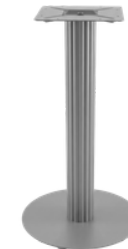
Copper



Gold



Anthracite



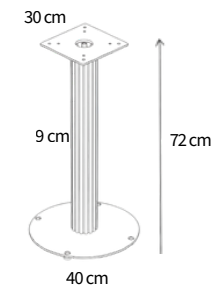
Material

Premium all-metal construction
High-quality electrostatic powder coating
Durable and long-lasting structure

Technical Details

Total Height: 72 cm
Base Plate: Ø 45cm (8 mm thickness)
Top Mounting Plate: 30 × 30 cm (2.5 mm thickness)
Profile Dimension: Ø 16 mm (15 pcs) Total Ø 9 cm
Total Weight: 13.7 kg

Dimension



A l a c a

The Alaca metal table base features an elegant, aesthetic form combined with exceptional stability. Its well-balanced construction ensures a secure and sturdy stand, making it suitable for both round and square tabletops.



White



Beige



Ivory



Copper



Gold



Anthracite



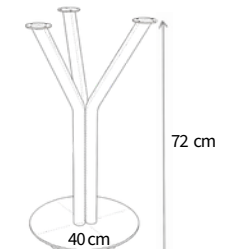
Material

Premium all-metal construction
High-quality electrostatic powder coating
Durable and long-lasting structure

Technical Details

Total Height: 72 cm
Base Plate: 40 × 40 cm (1.5 mm thickness – 7 kg)
Top Mounting Plate: 60 × 60 × 1.5 mm
Profile: Ø 7cm (2 mm thickness)
Total Weight: 8.5 kg

Dimension



D e r e n

The Deren bistro table frame combines stylish design with durable functionality. Its elegant detailing and powder-coated finish ensure long-lasting performance, making it a striking choice for restaurants, cafés, and bars.



White



Beige



Ivory



Copper



Gold



Anthracite



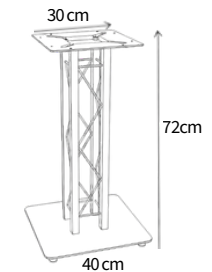
Material

Premium all-metal construction
High-quality electrostatic powder coating
Durable and long-lasting structure

Technical Details

Total Height: 72 cm
Base Plate: 40 × 40 cm (3 mm thickness - 5.1 kg)
Top Mounting Plate: 30 × 30 cm (2 mm thickness)
Profile Dimension: 25 × 25 × 1.5 mm
Total Weight : 8.50 kg

Dimension



Elçin

The Elcin Bistro table frame combines high-quality craftsmanship with a clean, modern design—ideal for bistros, cafés, restaurants, and hotels. Its stable construction and elegant black finish ensure a reliable foundation for various tabletops. Minimalist yet distinctive, Elcin blends seamlessly into any interior while adding a subtle design statement.



White



Beige



Ivory



Copper



Gold



Anthracite



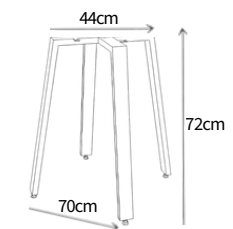
Material

Premium all-metal construction
High-quality electrostatic powder coating
Durable and long-lasting structure

Technical Details

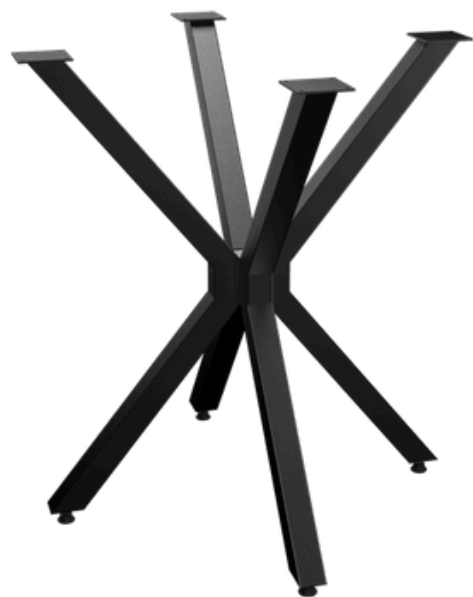
Total Height: 72 cm
Base Leg: 70 × 70 cm
Top Mounting Area: 44 × 44 cm
Profile Dimension: 30 × 60 × 1.5 mm
Total Weight: 8.25kg

Dimension

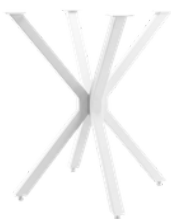


A h t a p o t

A modern star-shaped metal table base designed for maximum stability. Its multi-leg design ensures excellent balance—ideal for restaurants, cafés, and commercial spaces. Made from durable, powder-coated steel, it offers long-lasting performance, while adjustable feet ensure perfect leveling.



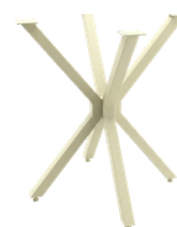
White



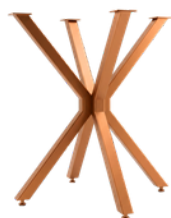
Beige



Ivory



Copper



Gold



Anthracite



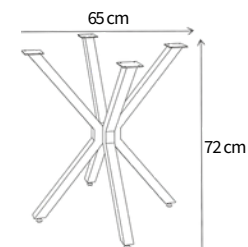
Material

Premium all-metal construction
High-quality electrostatic powder coating
Durable and long-lasting structure

Technical Details

Total Height: 72 cm
Base Plate: 3 mm thickness - 5.1 kg
Top Mounting Area: 65 × 65cm (3 mm thickness)
Profile Dimension: 40 × 40 × 1.5 mm
Total Weight: 6.15 kg

Dimension



S a m s a

With its attractive design and solid construction, our restaurant table frame appeals to quality-conscious customers. Its elegant appearance combined with practical functionality makes it a must-have for any hospitality business that values premium furniture.



White



Beige



Ivory



Copper



Gold



Anthracite



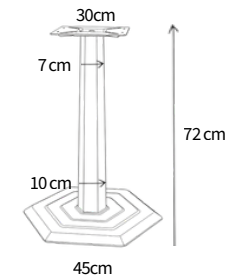
Material

Premium all-metal construction
High-quality electrostatic powder coating
Durable and long-lasting structure

Technical Details

Total Height: 72 cm
Base Plate: 45 x 45 cm (6 mm thickness)
Top Mounting Plate: 30 x 30 cm (2.5 mm thickness)
Profile Dimension: 10cm x 2 mm
Total Weight: 8.6 kg

Dimension



Karaca

The Karaca Bistro table frame stands out with its elegant design and high-quality craftsmanship. Made from robust steel, it brings timeless style to any hospitality setting. Its asymmetrical legs add a modern touch, creating a distinctive focal point. Perfect for restaurants, cafés, or beer gardens, Karaca combines durability with contemporary flair.



White



Beige



Ivory



Copper



Gold



Anthracite



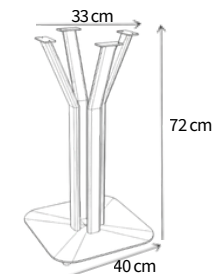
Material

Premium all-metal construction
High-quality electrostatic powder coating
Durable and long-lasting structure

Technical Details

Total Height: 72 cm
Base Plate: 40 × 40 cm (8 mm thickness – 7.1 kg)
Top Mounting Area: 33 × 33 cm (2 mm thickness)
Profile Dimension: 25 × 50 × 1.2 mm
Total Weight: 13.5 kg

Dimension



K a l e

The Kale Bistro double table frame combines durability with a sleek, modern look. Made from powder-coated steel, it provides a strong base for two tabletops. Solid columns ensure stability and long-lasting performance.



Anthracite



Copper



Beige



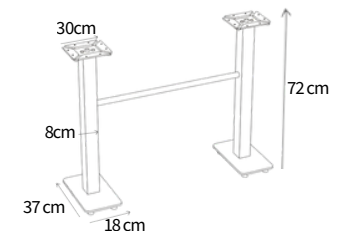
Material

Premium all-metal construction
High-quality electrostatic powder coating
Durable and long-lasting structure

Technical Details

Total Height: 72 cm
Base Leg: 18 x 37 cm (5 mm thickness)
Top Mounting Plate: 30 x 30 cm (2.5 mm thickness)
Profile Dimension: 80 x 80 mm x 2mm
Total Weight: 15 kg

Dimension



Hisar

The Hisar Bistro double table frame in elegant black combines durability with precise craftsmanship. Made from powder-coated steel, it's built for the demands of busy restaurants and cafés. Sturdy columns ensure reliable stability, delivering strength and long-lasting performance in everyday use.



White



Beige



Ivory



Copper



Gold



Anthracite



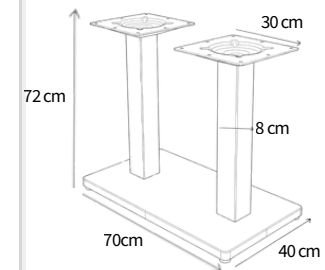
Material

Premium all-metal construction
High-quality electrostatic
powder coating
Durable and long-lasting
structure

Technical Details

Total Height: 72 cm
Base Leg: 40 x 70 cm (6 mm thickness)
Top Mounting Plate: 30 x 30 cm (2.5 mm thickness)
Profile Dimension: 80 x 80 mm x 2mm
Total Weight: 23 kg

Dimension



Punto

These stylish, durable steel frames let you create custom furniture with ease. Their sleek design adds a modern touch to any interior. Made from high-quality square steel profiles, they include floor-protecting caps, mounting screws, and added stability for long-lasting performance.



White



Anthracite



Gold



Copper



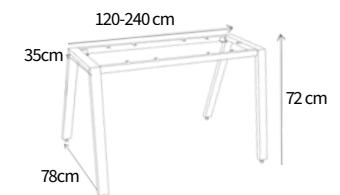
Material

Premium all-metal construction
High-quality electrostatic powder coating
Durable and long-lasting structure

Technical Details

Total Height: 72 cm
Base Leg Depth: 78 cm
Top Mounting Area: 120 up to 240 × 35 cm
(2 mm thickness)
Profile Dimension: 30 × 60 × 1.5 mm
Total Weight: 15 kg

Dimension



Tuna Bar

Elevate your space with the Tuna Bar table frame—ideal for modern high-top settings. Its sturdy steel construction ensures lasting stability, while the black powder-coated finish adds a sleek, contemporary touch. Perfect for bars, lounges, and cafés, it combines durability with refined design for everyday use.



White



Beige



Ivory



Copper



Gold



Anthracite



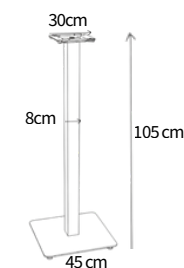
Material

Premium all-metal construction
High-quality electrostatic powder coating
Durable and long-lasting structure

Technical Details

Total Height: 105 cm
Base Plate: 45 × 45 cm (45 × 45 cm (8mm thickness- 8.2kg)
Top Mounting Plate: 30 × 30 cm (2.5mm thickness)
Profile Dimension: 60 × 60 × 1.5 mm
Total Weight: 12.35 kg

Dimension



A y a z B a r

Discover the Ayaz Bistro Bar Table Frame—designed for stylish, durable use in bars and high-top settings. At 105 cm height, it's ideal for elevated dining concepts. Made from high-quality, powder-coated steel, it offers strength, stability, and corrosion resistance—perfect for high-traffic environments.



White



Beige



Ivory



Copper



Gold



Anthracite



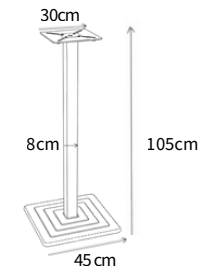
Material

Premium all-metal construction
High-quality electrostatic powder coating
Durable and long-lasting structure

Technical Details

Total Height: 105 cm
Base Plate: 45 × 45 cm (6 mm thickness – 6.1 kg)
Top Mounting Plate: 30 × 30cm (2.5mm thickness)
Profile Dimension: 80 × 80 mm x 2mm
Total Weight: 9.25 kg

Dimension



M e f t u n B a r

The Meftun Bar table frame combines durability with refined style. Made from robust, powder-coated steel, it features a sleek black finish and a decorative round base. Adjustable glides ensure a stable, level stand—ideal for bars, lounges, and high-top cafés.



White



Beige



Ivory



Copper



Gold



Anthracite



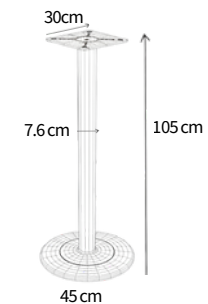
Material

Premium all-metal construction
High-quality electrostatic
powder coating
Durable and long-lasting
structure

Technical Details

Total Height: 105 cm
Base Plate: Ø 45 cm (6mm thickness - 7.25kg)
Top Mounting Plate: 30 x 30 cm (2.5mm
thickness)
Profile Dimension: Ø 7,6 cm x 1.5mm
Total Weight: 10 kg

Dimension



CONSCIOUS PRODUCTION APPROACH



We Draw Our Power From Nature

We produce a large portion of the electricity used in our production facilities ourselves using solar panels



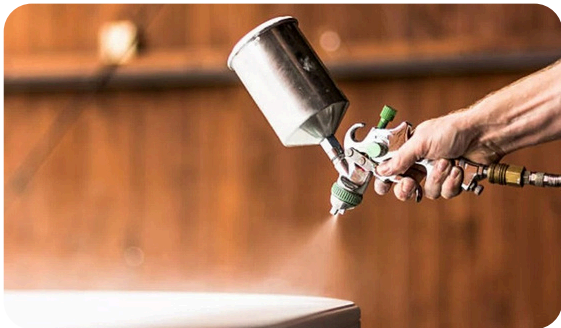
We Use Certified Wood

Every piece of wood used in our furniture comes from sustainably certified forests grown for industrial purposes (FSC certified).



We Adopt the Zero Waste Principle

We contribute back to the economy by converting sawdust and wood scraps generated during the production process into pellet fuel.



Health in Your Living Spaces

We protect indoor air quality by choosing eco-friendly water-based paints and varnishes that do not contain heavy metals in our furniture.



We Transform for the Future

We minimize natural resource consumption by using recyclable metal, textile, and packaging materials in our production processes.



A Sustainable Future

We reject the 'disposable' mindset and offer a long-lasting user experience through high-quality materials and robust craftsmanship.



Phone +90 332 717 00 03



Mobile / WhatsApp +90 535 783 9593



info@savilva.com



www.savilva.com



Kargacı Mh. 95925. Sk. A-Blok No: 7
Ereğli / Konya / Türkiye

SA SAVILVA